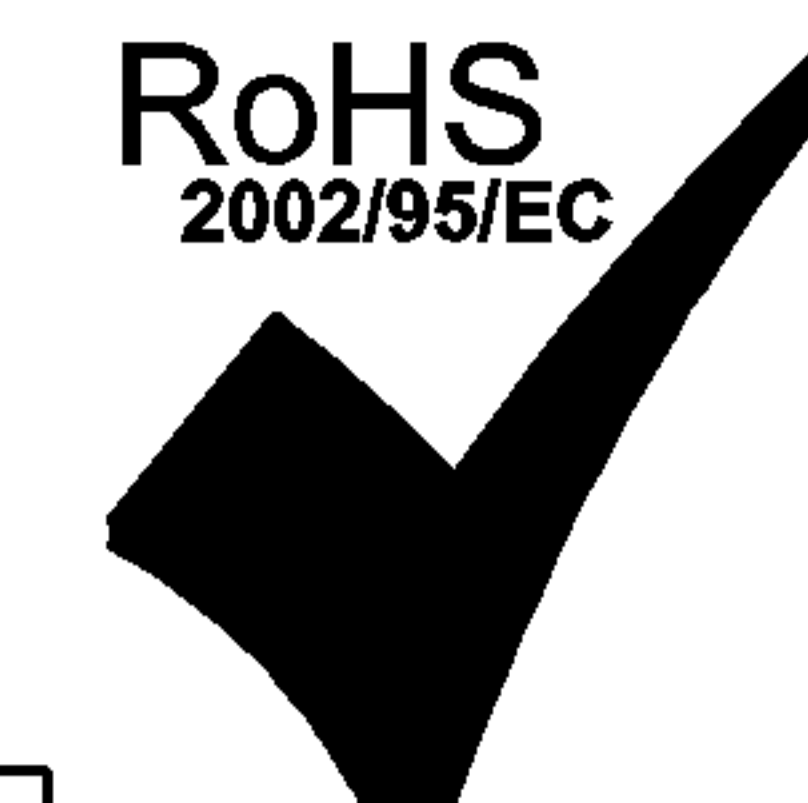


THE INFORMATION CONTAINED HEREIN IS CONSIDERED "PROPRIETARY" TO BEL FUSE INC. AND SHALL NOT BE COPIED, REPRODUCED OR DISCLOSED WITHOUT THE WRITTEN APPROVAL OF BEL FUSE INC.

RoHS
2002/95/EC



LED1 POLARITY			LED2 POLARITY		
PIN 13	PIN 14	COLOR	PIN 15	PIN 16	COLOR
-	+	GREEN	+	-	ORANGE
/	/	/	-	+	GREEN

ELECTRICAL CHARACTERISTICS @ 25°C

URNS RATIO

TP1	1CT : 1CT ±2%
TP2	1CT : 1CT ±2%
TP3	1CT : 1CT ±2%
TP4	1CT : 1CT ±2%

OCL @ 100kHz/100mVRMS

8mA DC BIAS	350µH MIN.
-------------	------------

INS. LOSS

0.1MHz TO 1MHz	-1.1 dB MAX
1MHz TO 65MHz	-0.5 dB MAX
65MHz TO 100MHz	-0.8 dB MAX
100MHz TO 125MHz	-1.2 dB MAX

RET. LOSS (MIN)

0.5MHz-40MHz	-18 dB
40MHz-100MHz	-12+20LOG(f/80MHz) dB

CM TO CM REJ

100kHz - 100MHz	-30 dB MIN
-----------------	------------

CM TO DM REJ

100kHz - 100MHz	-35 dB MIN
-----------------	------------

HIPOT (Isolation Voltage):

1500 Vrms or 2250VDC

LED 1

VF (FORWARD VOLTAGE) IF=20mA GREEN 2.2V TYP.

λ D (DOMINANT WAVELENGTH) IF=20mA GREEN 565nm TYP.

LED 2

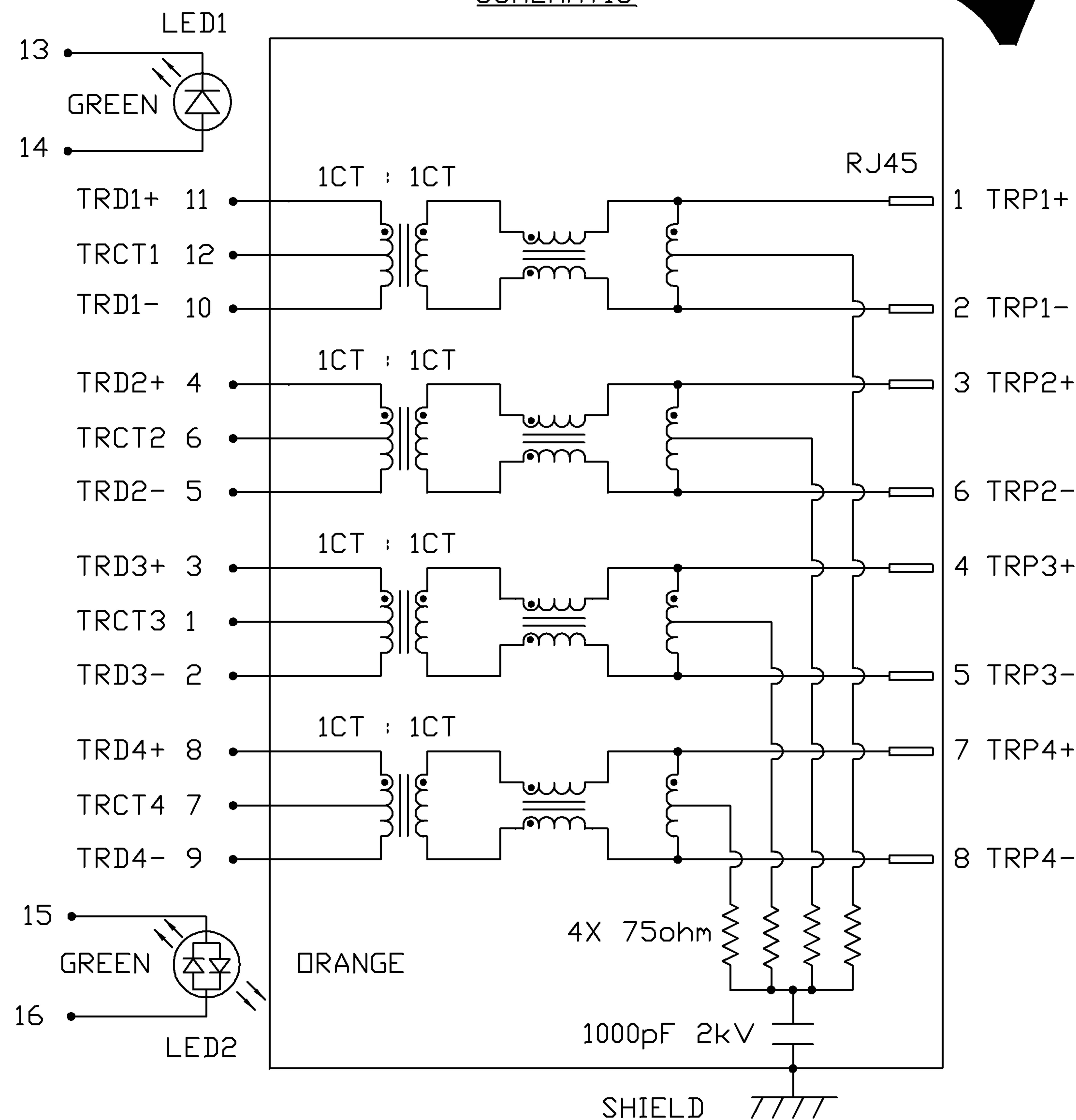
VF (FORWARD VOLTAGE) IF=20mA GREEN 2.2V TYP.

λ D (DOMINANT WAVELENGTH) IF=20mA ORANGE 2.0V TYP.

λ D (DOMINANT WAVELENGTH) IF=20mA GREEN 565nm TYP.

λ D (DOMINANT WAVELENGTH) IF=20mA ORANGE 610nm TYP.

SCHEMATIC



ORIGINATED BY	DATE
CHOW WANCHUNG	06-19-08

TITLE
gigabit MagJack® (12 cores, Tab Up)

PART NO. / DRAWING NO.
08261E1T23-F

STANDARD DIM. TOL. IN INCH
.X
.XX
.XXX

[] METRIC DIM. AS REFERENCE
UNIT : INCH [mm]
SCALE : N/A

DRAWN BY	DATE
LEE WEIDE	06-19-08

FILE NAME
0826-1E1T-23-F

FILE NAME
08261E1T23-F_B.DWG

UNIT : INCH [mm]
SCALE : N/A

REV. : B
SIZE : A4
PAGE : 2



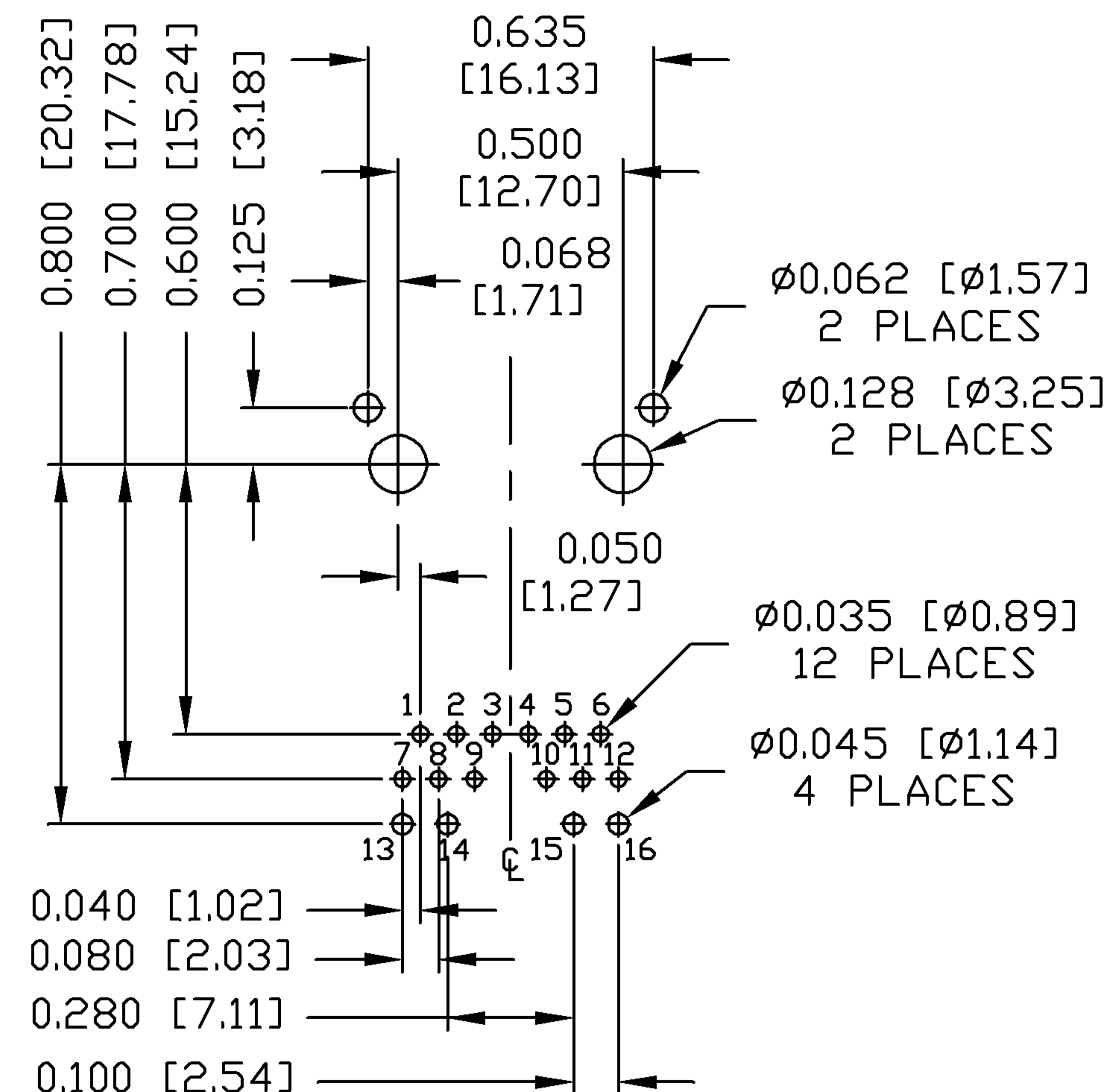
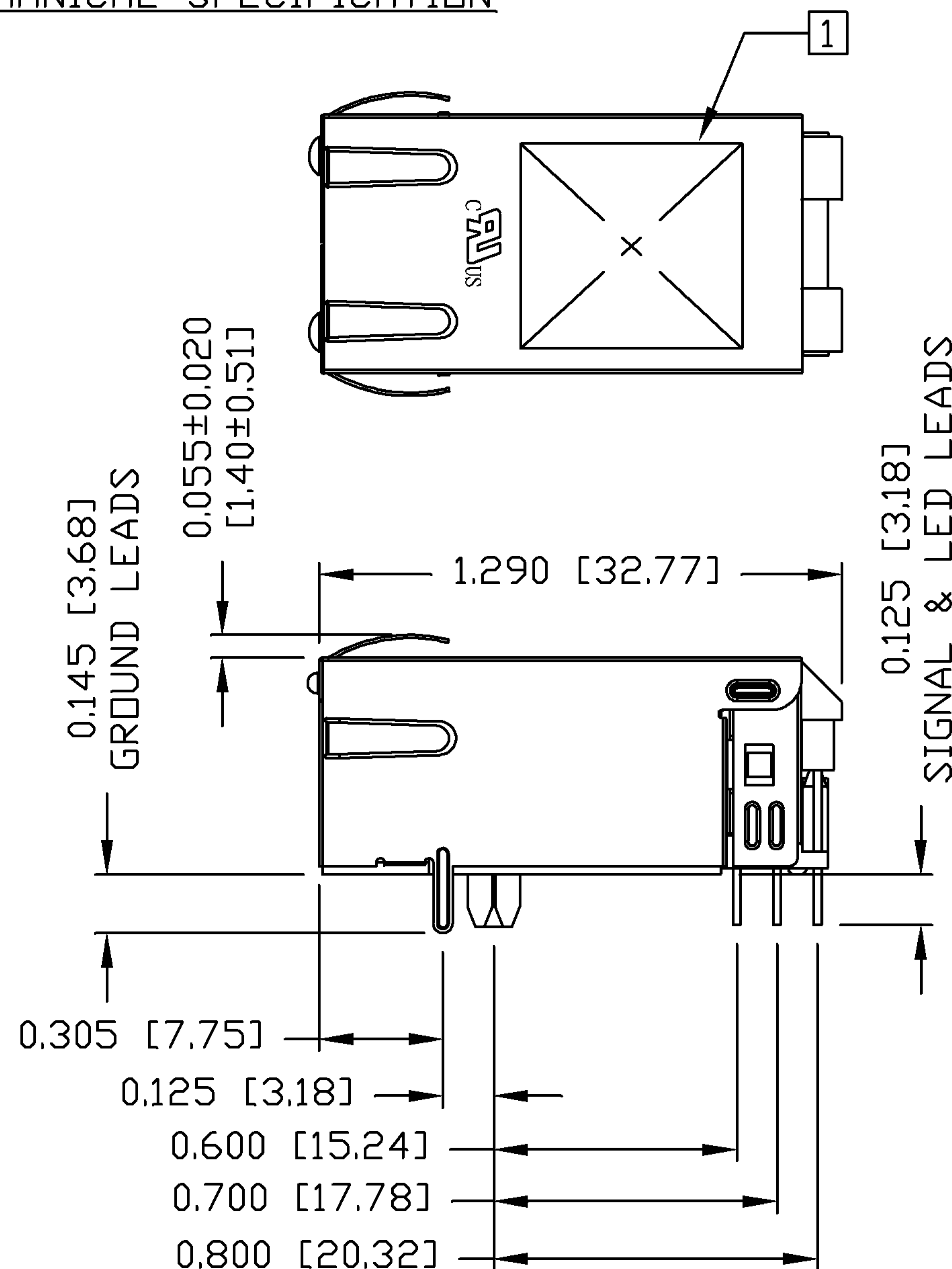
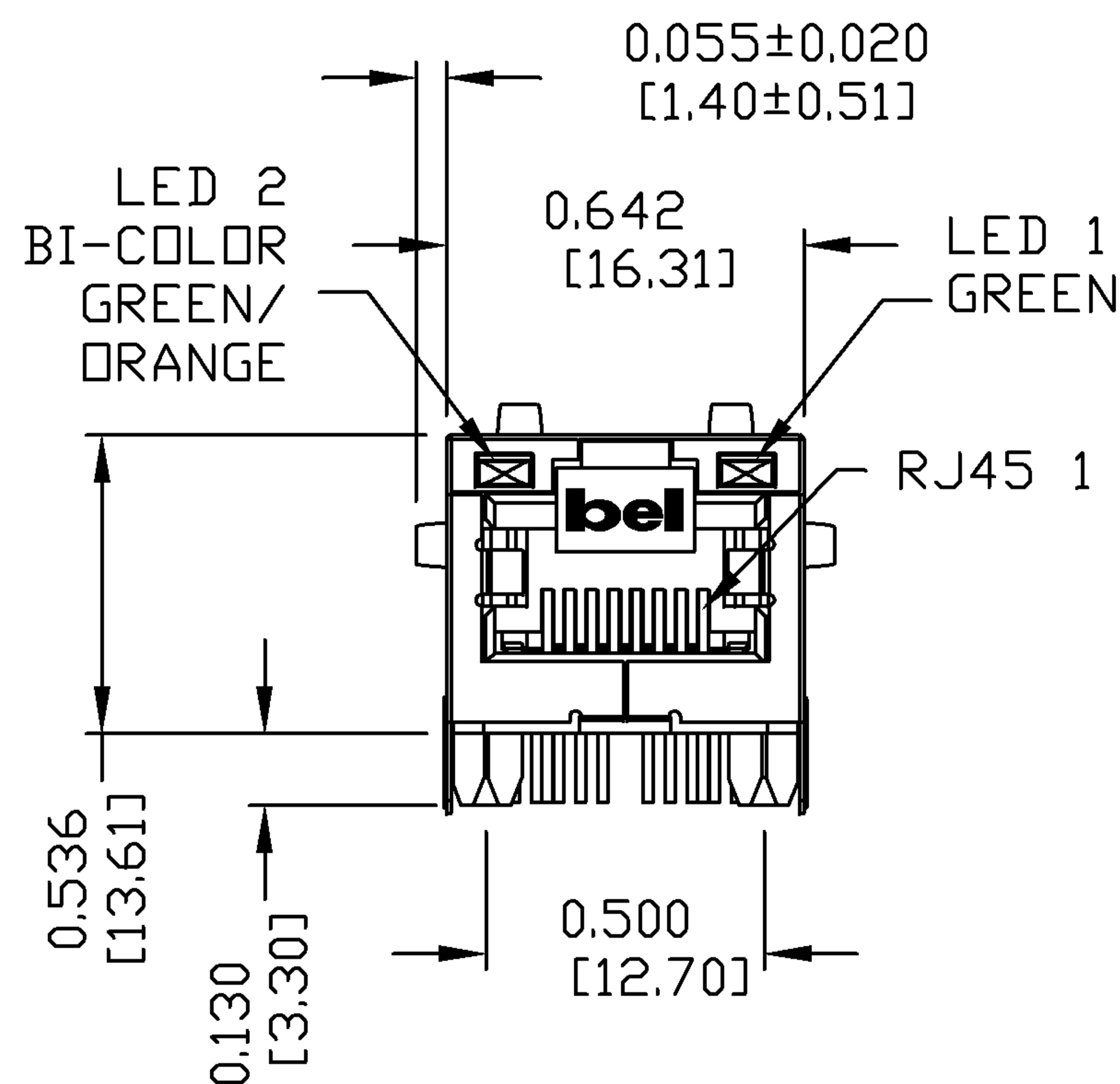
THE INFORMATION CONTAINED HEREIN IS CONSIDERED "PROPRIETARY" TO BEL FUSE INC. AND SHALL NOT BE COPIED, REPRODUCED OR DISCLOSED WITHOUT THE WRITTEN APPROVAL OF BEL FUSE INC.

RoHS
2002/95/EC



MECHANICAL SPECIFICATION

RECOMMENDED PCB FOOTPRINT
COMPONENT SIDE VIEW



NOTES:

- PLASTIC HOUSING: THERMOPLASTIC PA.
FLAMMABILITY RATING UL 94V-0
- CONTACTS: 50 MICRO-INCH HARD GOLD PLATING
- OUTPUT PINS: TIN-COATED COPPER WIRE, DIA 0.018 INCH.
- METAL SHIELD: NICKEL PLATED ON COPPER ALLOY.
(ALL GROUND LEADS ARE SOLDER DIPPED)

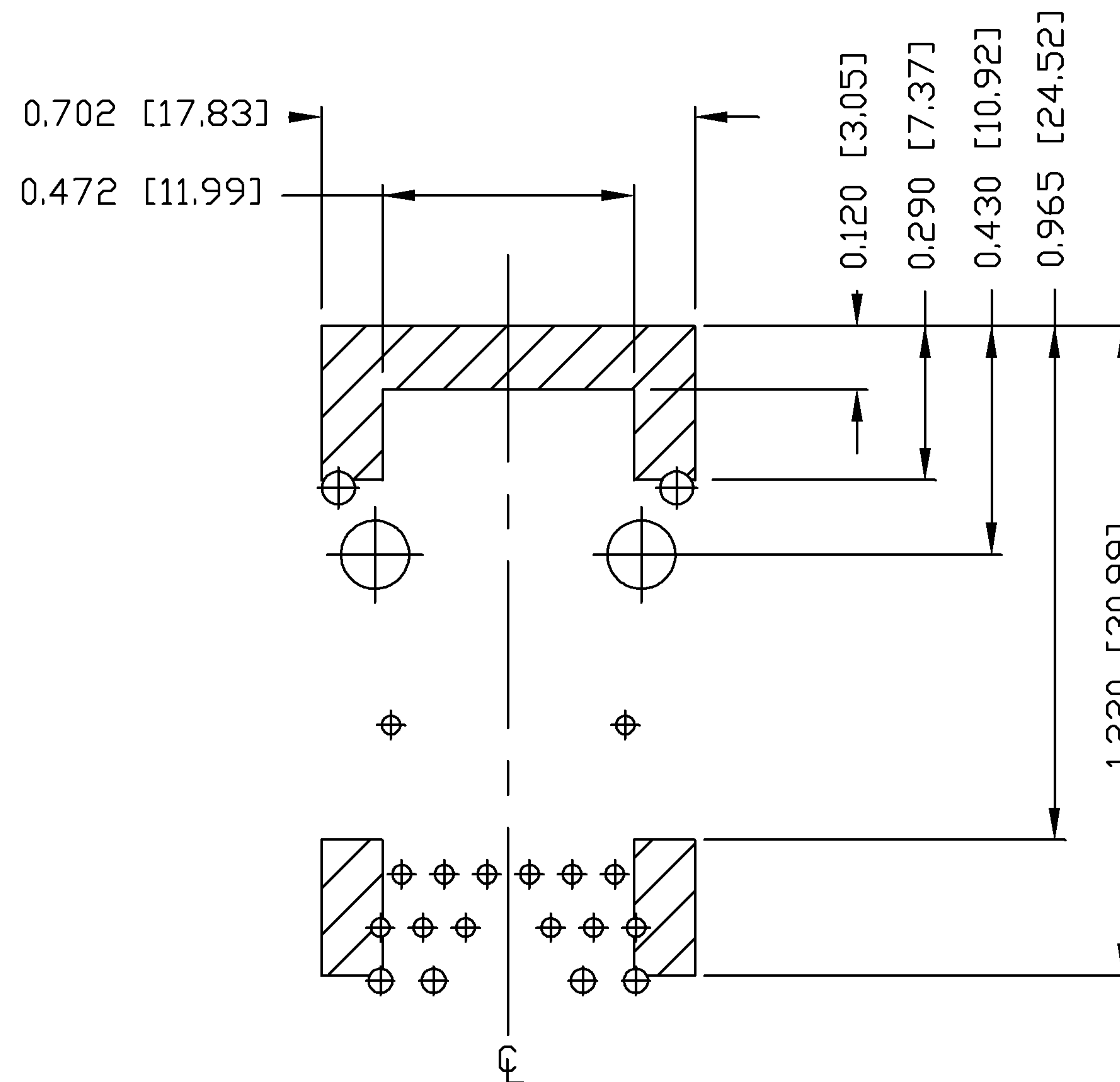
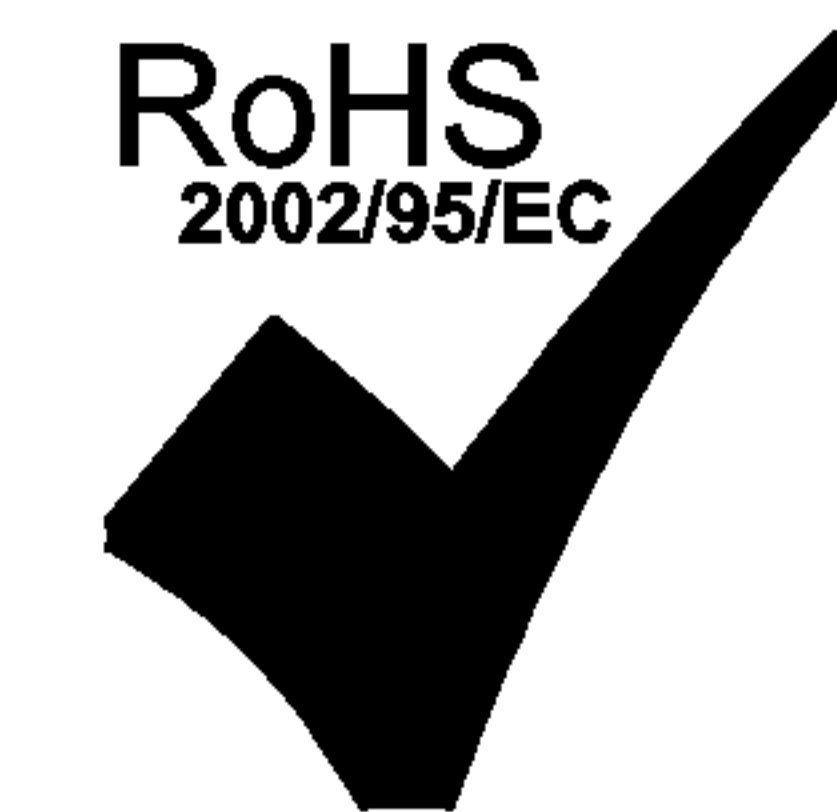
1. MARK PART WITH MFG LOGO, MFG NAME, PART NUMBER, AND DATE CODE.

US UL RECOGNIZED - FILE #E196366 AND E169987.
RoHS COMPLIANCE, PER EU DIRECTIVE 2002/95/EC.
JACK CAVITY CONFORMS TO FCC RULES AND REGULATIONS.

ORIGINATED BY ZX HUANG	DATE 06-19-08	TITLE gigabit MagJack® (12 cores, Tab Up)	PART NO. / DRAWING NO. 08261E1T23-F	STANDARD DIM. TOL. IN INCH	[] METRIC DIM. AS REFERENCE	 COMPONENTS FOR A CONNECTED PLANET
DRAWN BY JOLLY LUD	DATE 06-19-08	FILE NAME 08261E1T23-F_B.DWG	.X	UNIT : INCH [mm]	REV. : B	
			.XX	SCALE : N/A	SIZE : A4	
			.XXX ±0.010		PAGE : 3	

THE INFORMATION CONTAINED HEREIN IS CONSIDERED "PROPRIETARY" TO BEL FUSE INC. AND SHALL NOT BE COPIED, REPRODUCED OR DISCLOSED WITHOUT THE WRITTEN APPROVAL OF BEL FUSE INC.

RoHS
2002/95/EC



NOTES

THE SHADED AREA ON THE CUSTOMER BOARD ARE RECOMMENDED TO BE CLEAR OFF ANY VIA HOLE OR COMPONENT PAD.

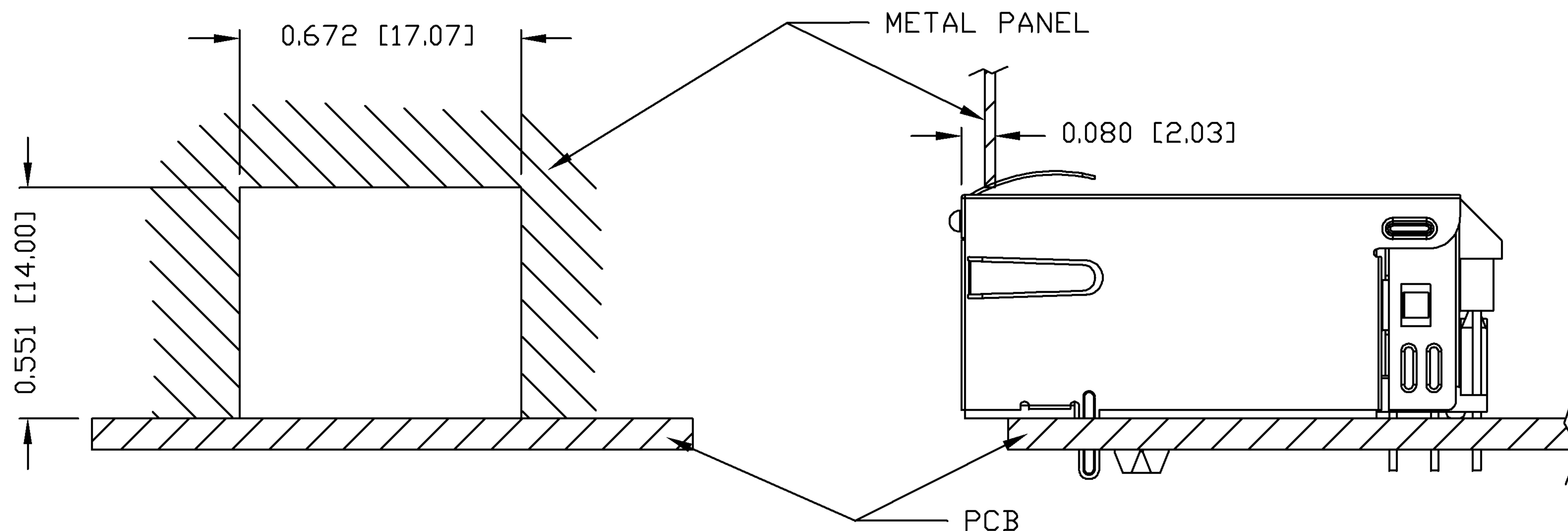
ORIGINATED BY ZX HUANG	DATE 06-19-08	TITLE gigabit MagJack® (12 cores, Tab Up) 0826-1E1T-23-F	PART NO. / DRAWING NO. 08261E1T23-F	STANDARD DIM. TOL. IN INCH	[] METRIC DIM. AS REFERENCE	 COMPONENTS FOR A CONNECTED PLANET
DRAWN BY JOLLY LUO	DATE 06-19-08		FILE NAME 08261E1T23-F_B.DWG	.X	UNIT : INCH [mm]	
			.XX	SCALE : N/A	SIZE : A4	
			.XXX	±0.004	PAGE : 4	

THE INFORMATION CONTAINED HEREIN IS CONSIDERED "PROPRIETARY" TO BEL FUSE INC. AND SHALL NOT BE COPIED, REPRODUCED OR DISCLOSED WITHOUT THE WRITTEN APPROVAL OF BEL FUSE INC.

RoHS
2002/95/EC



SUGGESTED PANEL OPENING



NOTE:

THE DISTANCE OF PANEL INSIDE SURFACE RELATIVE TO FRONT SURFACE OF PART IS ONLY A SUGGESTION. IN CASE THIS DISTANCE IS DIFFERENT, THE REQUIRED PANEL OPENING DIMENSIONS CHANGE ACCORDINGLY.

PACKING INFORMATION

PACKING TRAY : 0200-9999-F6 (TOP)
0200-9999-F7 (BOTTOM)

PACKING QUANTITY : 40 PCS FINISHED GOODS PER TRAY
10 TRAYS (400 PCS FINISHED GOODS) PER CARTON BOX

NOTE : CARDBOARDS ARE PLACED BETWEEN LAYERS OF PACKING TRAY INSIDE CARTON BOX
(INCLUDE THE UPPERMOST AND LOWERMOST TRAY)

ORIGINATED BY ZX HUANG	DATE 06-19-08	TITLE gigabit MagJack® (12 cores, Tab Up) 0826-1E1T-23-F	PART NO. / DRAWING NO. 08261E1T23-F	STANDARD DIM. TOL. IN INCH	[] METRIC DIM. AS REFERENCE		 COMPONENTS FOR A CONNECTED PLANET
DRAWN BY JOLLY LUO	DATE 06-19-08		FILE NAME 08261E1T23-F_B.DWG	.X	±0.004	UNIT : INCH [mm]	
			.XX	SCALE : N/A		SIZE : A4	
			.XXX			PAGE : 5	