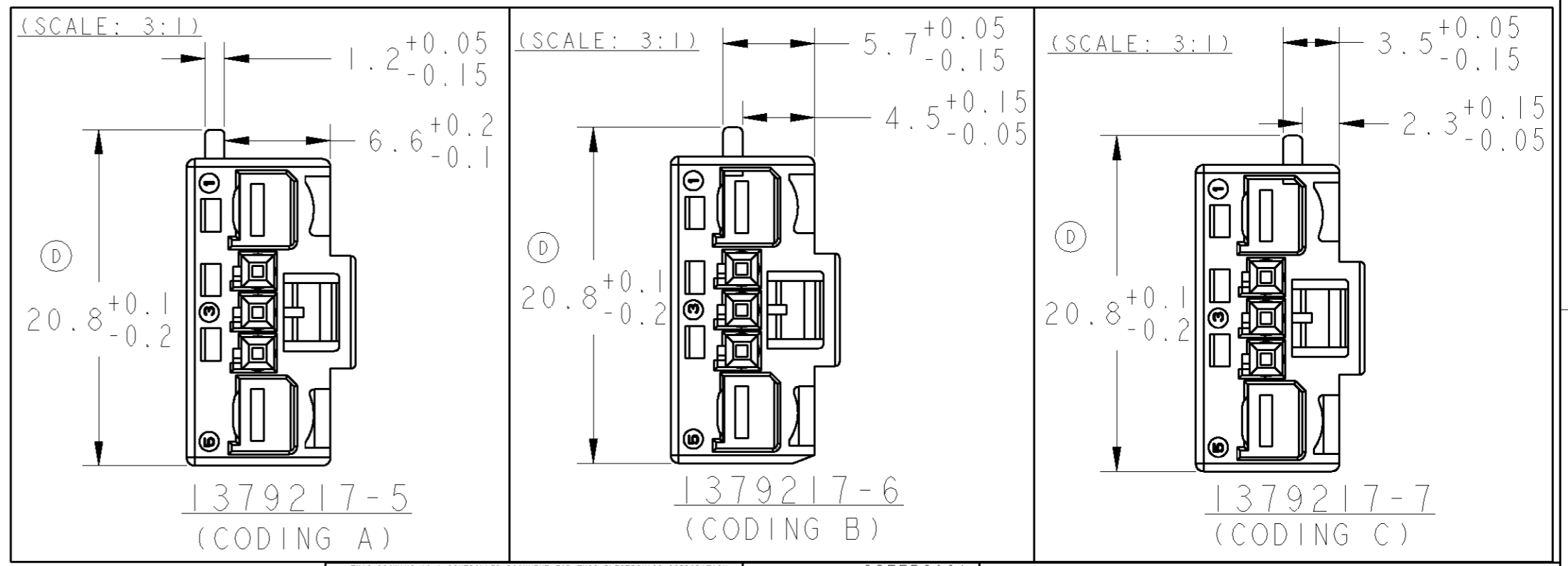
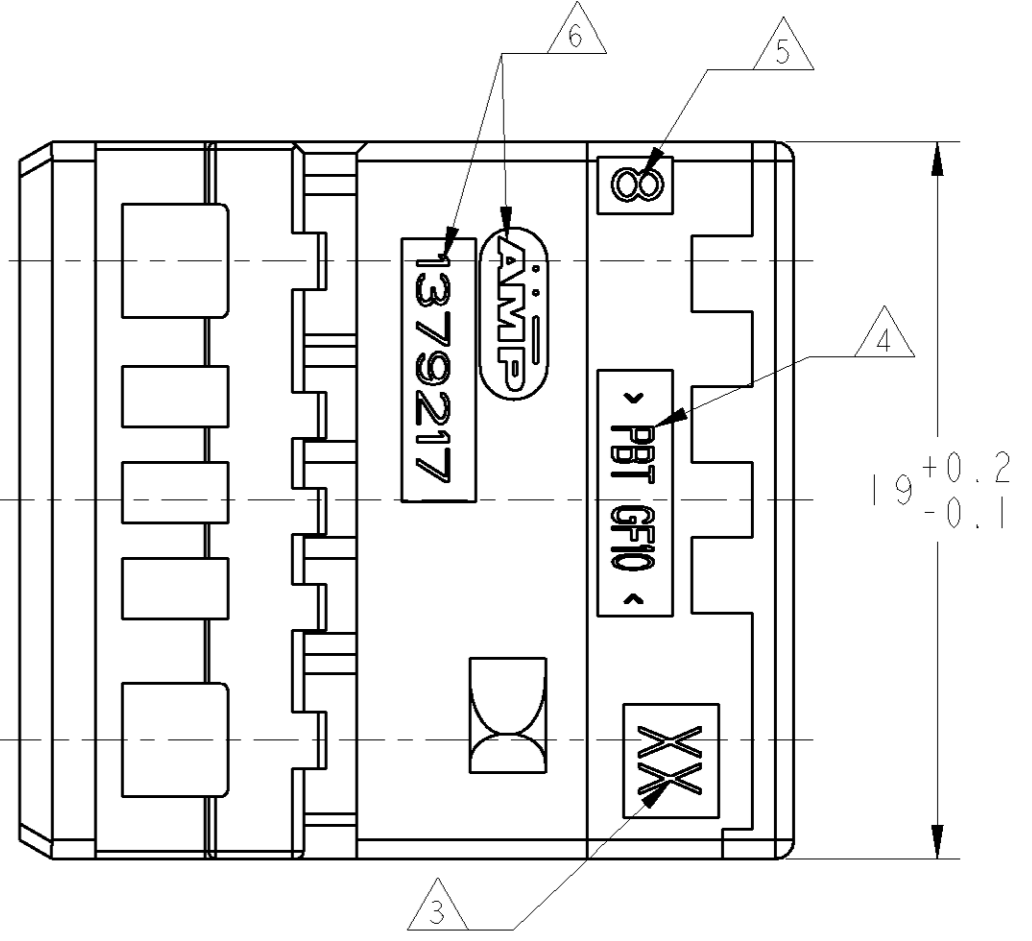
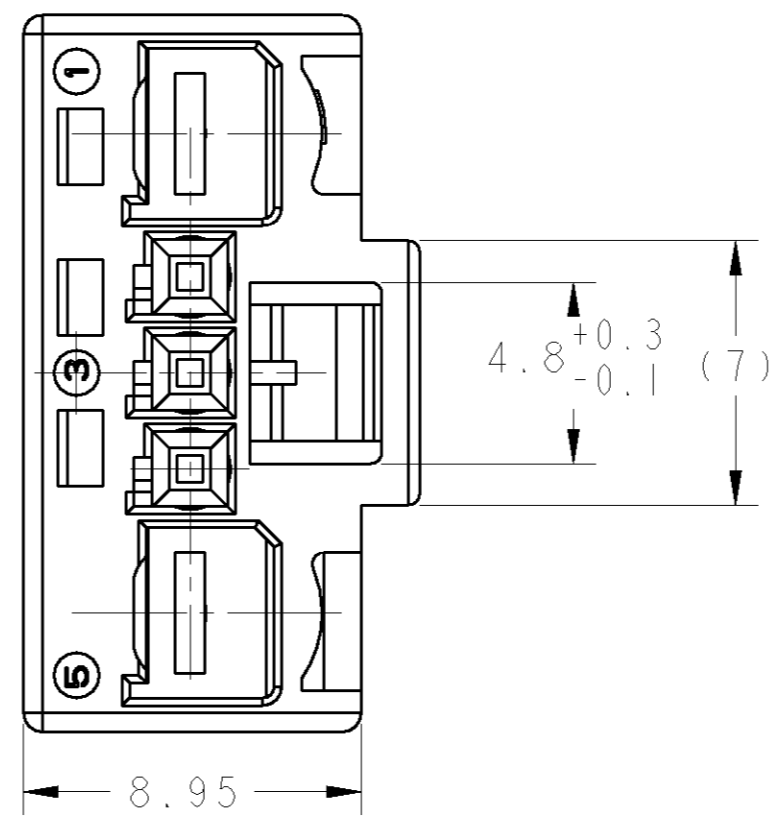
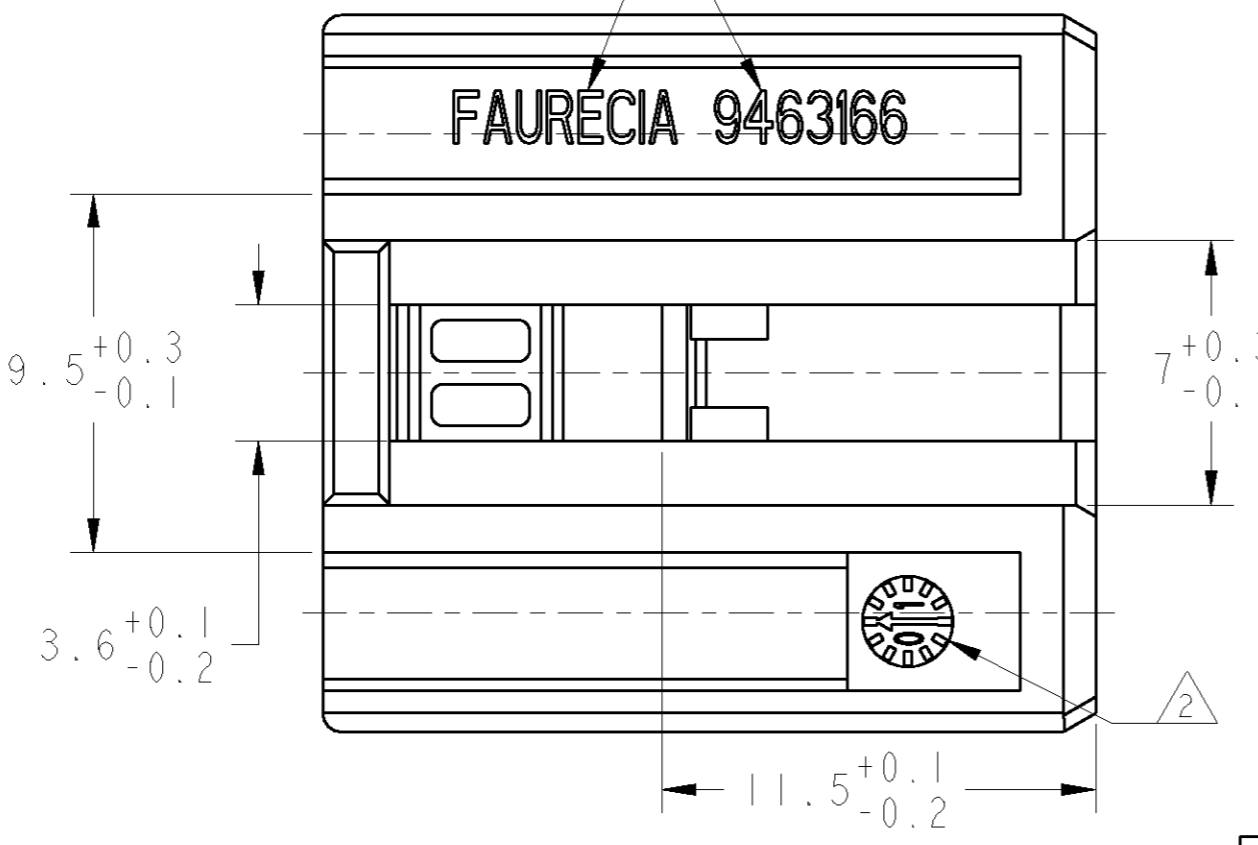
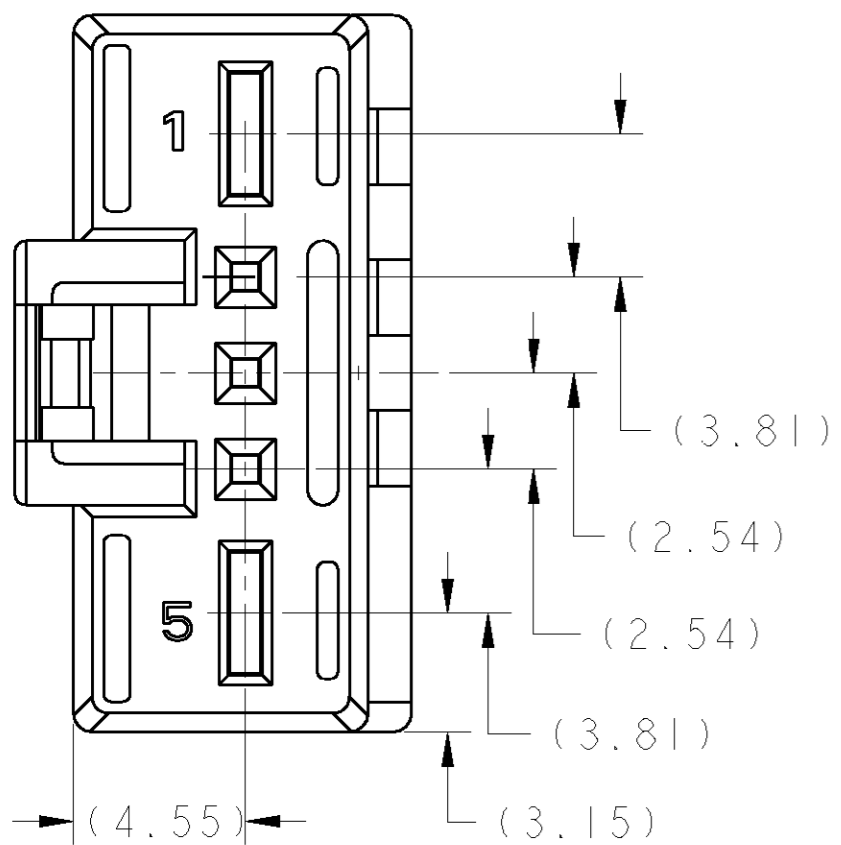
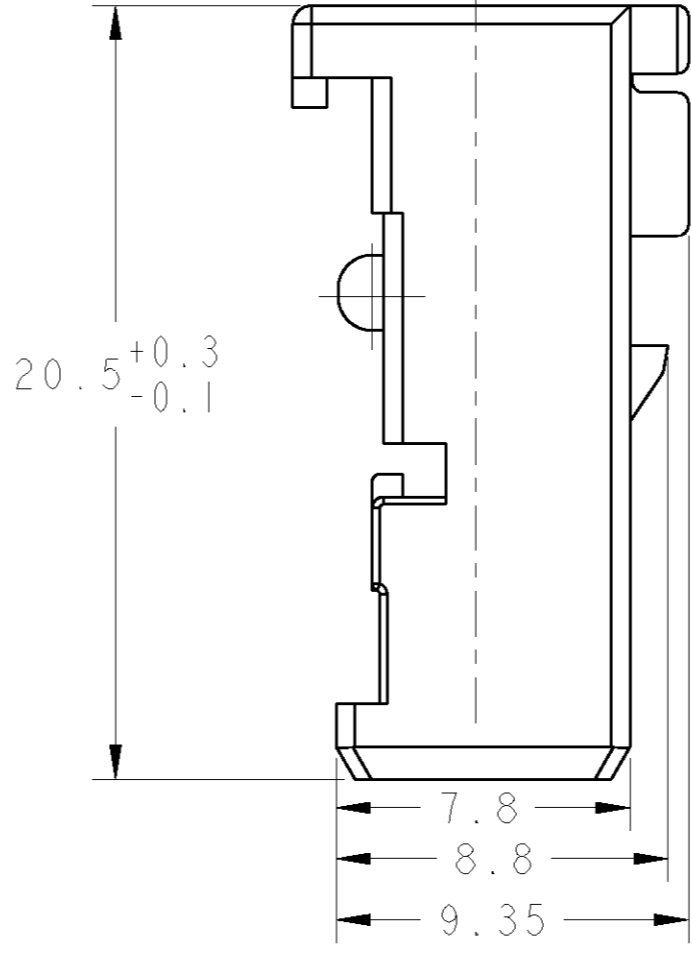


THIS DRAWING IS UNPUBLISHED. / DIFFUSION RESTREINTE  
 RELEASED FOR PUBLICATION / LIBRE A LA DIFFUSION  
 20  
 BY TYCO ELECTRONICS CORPORATION. ALL RIGHTS RESERVED. / TOUS DROITS RESERVES

LOC		DIST		REVISIONS			
F	14	P	LTR	DESCRIPTION MODIFICATIONS	DATE	DWN DESS.	APVD APP.
		A		UP DATED THE DWG (ADD P/NS:1379217-3/-4)	29-AUG-01	NT.N	S.K
		B		UP DATED THE DWG ( ADD THE NOTES 8,9,10)	28SEP2001	NT.N	S.K
		C		ADD THE NEW P/NS : 1379217-5/-6/-7	15DEC2004	NT.N	J.L
		D		UP DATE THE DRAWING	17FEB2005	NT.N	J.L

- NOTES:
- 1 VERSION WITH THE SYMBOL & P/N OF FAURECIA  
VERSION AVEC LE SIGLE & REFERENCE DE FAURECIA
  - 2 CODING DATE  
DATE CODE
  - 3 REVISION STATUT OF THE MOLD  
REVISION DU MOULE
  - 4 MATERIAL IDENTIFICATION  
MARQUAGE DE MATIERE
  - 5 CAVITY MARKING  
NUMERO D' EMPREINTE DU MOULE
  - 6 LOGO & P/N OF TYCO (AMP)  
LOGO & REFERENCE DE TYCO (AMP)
  - 7 VERSION WITHOUT THE SYMBOL & P/N OF FAURECIA  
VERSION SANS LE SIGLE & REFERENCE DE FAURECIA
  - 8 FOR THE CONNECTOR INTERFACE,SEE THE DRW OF P/N 208-15621  
POUR L' INTERFACE DE CONNECTEUR,VOIR PLAN DE REF. 208-15621
  - 9 CAVITY 1 & 5 SUITABLE TO WIRE SIZE RANGE 0.75 TO 2.5 mm<sup>2</sup>  
ALVEOLES 1 & 5 ADAPTEES AUX JAUGES DE FILS 0.75 A 2.5 mm<sup>2</sup>
  - 10 CAVITY 2,3,4 SUITABLE TO WIRE SIZE RANGE 0.25 TO 0.5 mm<sup>2</sup>  
ALVEOLES 2,3,4 ADAPTEES AUX JAUGES DE FILS 0.25 A 0.5 mm<sup>2</sup>



1379217-7	-	BLUE (BLEU) ①	C	VALEO ①
1379217-6	-	WHITE (BLANC)	B	
1379217-5	-	BLACK (NOIR)	A	
1379217-4	-	WHITE (BLANC)	NEUTRAL (NEUTRE)	FAURECIA ①
1379217-3	-	BLACK (NOIR)		
1379217-2	9463166-2	WHITE (BLANC)		
1379217-1	9463166-1	BLACK (NOIR)		
TYCO P/N (REF. TYCO)	FAURECIA P/N (REF. FAURECIA)	COLOR (COULEUR)	CODING (DETROMPAGE)	PART NUMBER RESTRICTED ONLY TO (REFERENCE RESERVEE UNIQUEMENT A)

THIS DRAWING IS A CONTROLLED DOCUMENT FOR TYCO ELECTRONICS CORPORATION IT IS SUBJECT TO CHANGE AND THE CONTROLLING ENGINEERING ORGANIZATION SHOULD BE CONTACTED FOR THE LATEST REVISION.  
 CE PLAN EST UN DOCUMENT CONTROLÉ PAR TYCO ELECTRONICS. IL EST SUSCEPTIBLE D'ÊTRE REVISÉ. CONTACTER LE SERVICE TECHNIQUE DE TYCO ELECTRONICS POUR OBTENIR LA DERNIÈRE RÉVISION.

DIMENSIONS: mm

TOLERANCES UNLESS OTHERWISE SPECIFIED: (SAUF NB DE DECIMALES)  
 P/NS: ±0.3  
 P/NS: ±  
 P/NS: ±  
 P/NS: ±  
 ANGLES: ±°  
 FINISH/FINITION: PBT GF10

DWN/DESSINE: NT NGUYEN 22FEB2001  
 CHK/VERIFIE: J. LAQUERBE 27JUN2001  
 APVD/APROUVE: S. KUGENER 27JUN2001

PRODUCT SPEC: 108-15315  
 APPLICATION SPEC: -

WEIGHT: 1.80g  
 MASSE APPROX.

tyco Electronics TYCO ELECTRONICS France SAS  
 BP 39, 95301 CERGY-PONTOISE Cedex

NAME/TITRE: PORTE-CLIPS 3V MQS + 2V MPQ MQS 3W + MPQ 2W SOCKET HOUSING

SIZE/FORMAT: A2  
 CAGE CODE: 00779  
 DRAWING NO: 1379217

RESTRICTED TO RESERVE A: -

CUSTOMER DRAWING /PLAN CLIENT UNIFORMENT POUR REFERENCE: 5:1 SHEET FEUILLE OF DE REV D