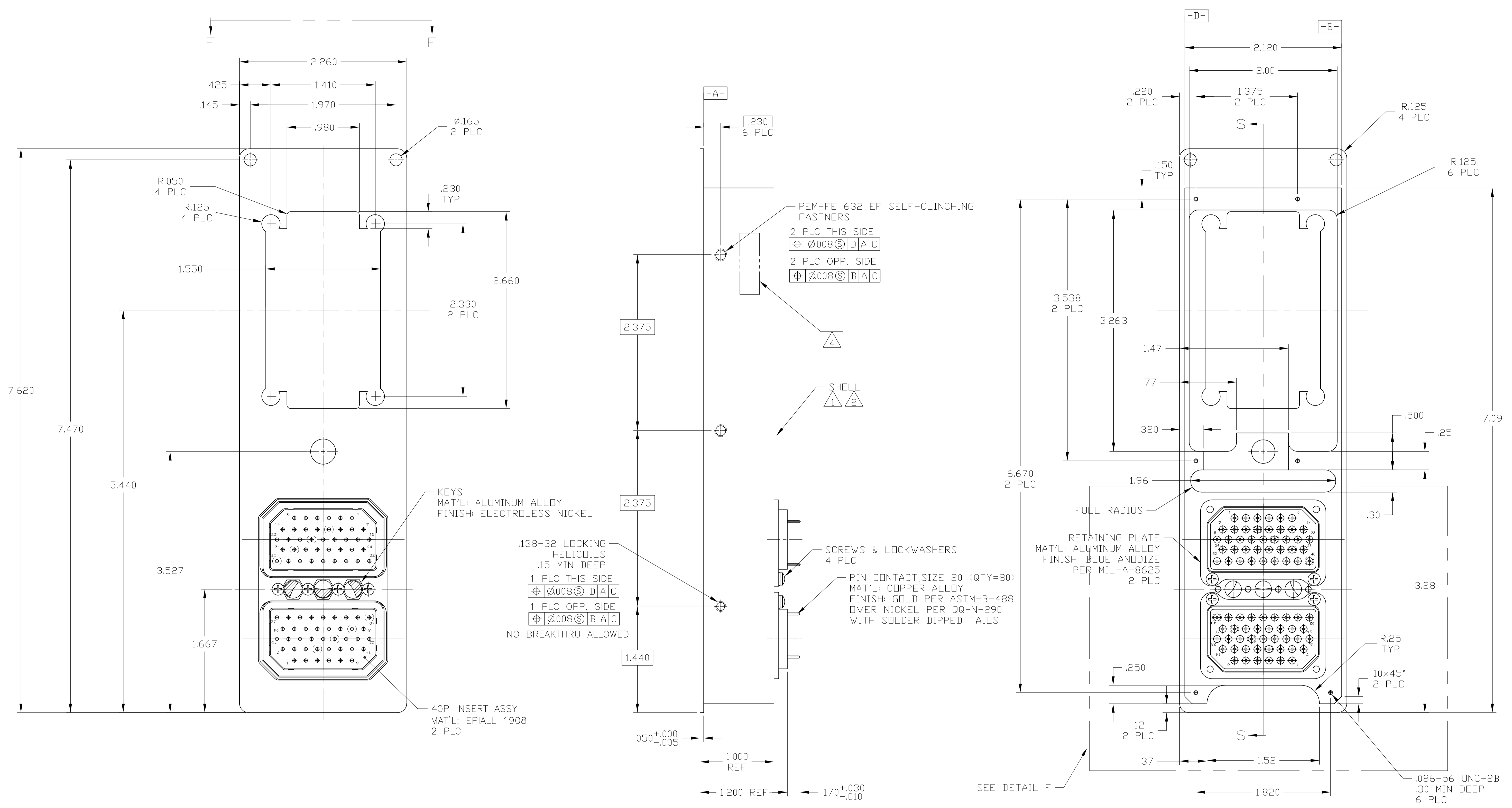


LOC		DIST		REVISIONS			
DF	AO	REV	DATE	DESCRIPTION	DATE	DMN	APVD
J		1	17NOV15	REVISED PER ECO-15-011840		RS	CT

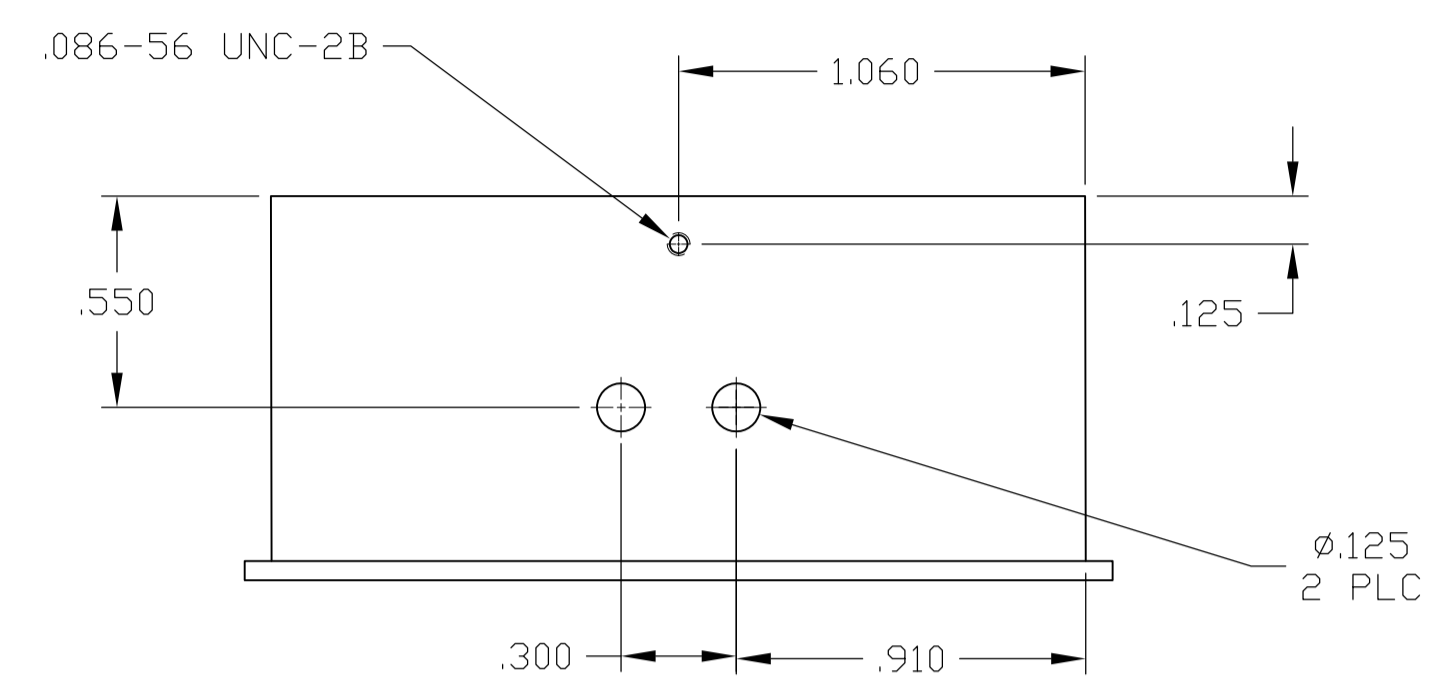


- MAT'L: ALUMINUM ALLOY 6061-T4 OR T6.
- FINISH: CHROMATE PLATE (IRRIDITE); CLEAR CHROMATE PER MIL-C-5541
- DUST COVER INSTALLED BUT NOT SHOWN.
- MARKED PER MIL-STD-130 IN APPROX AREA SHOWN.
- SCREWS & FASTENERS: MAT'L: STAINLESS STEEL. FINISH: PASSIVATED
- MEETS THE REQUIREMENTS OF HONEYWELL 440-1216-001 AND -002

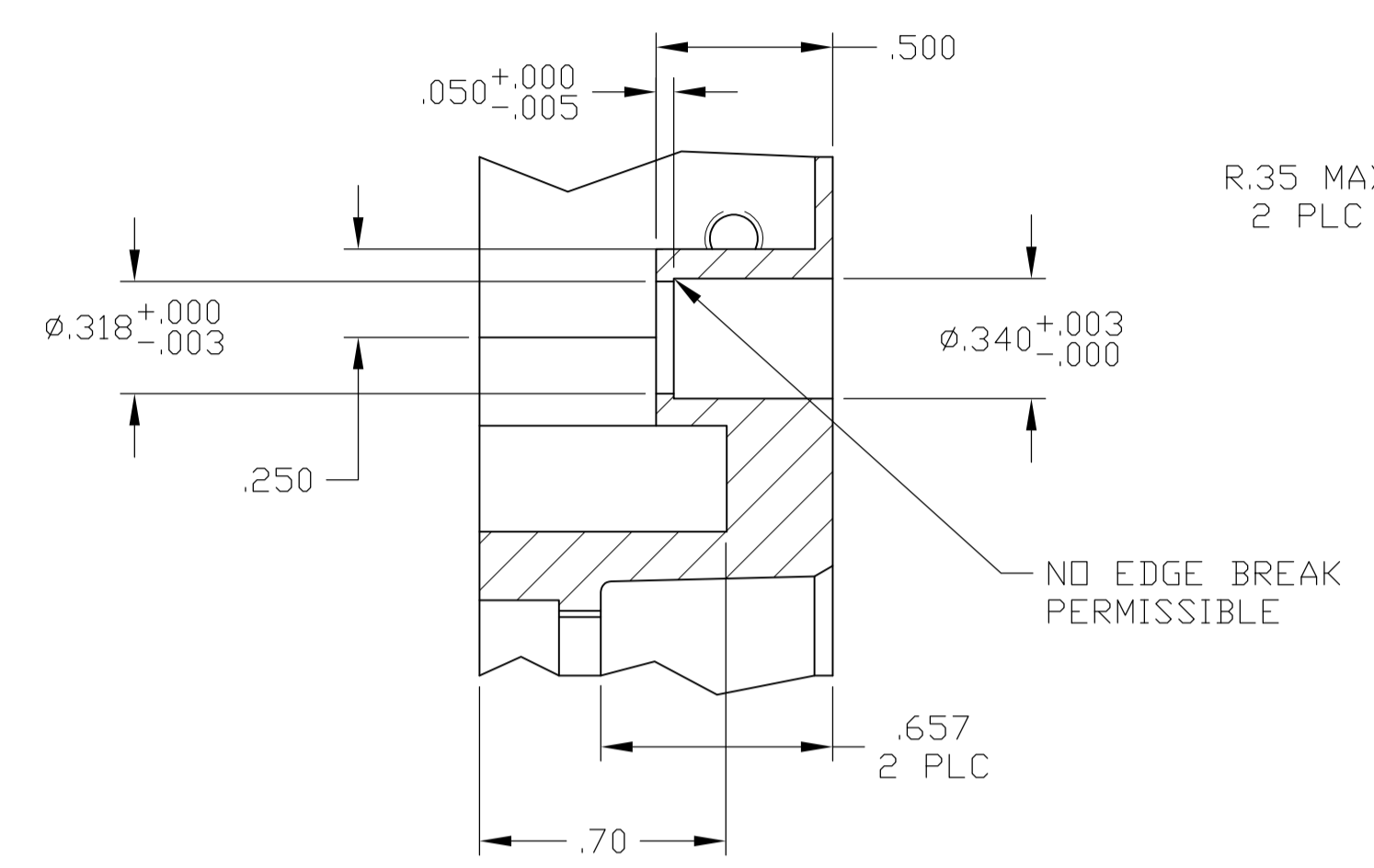
OBSOLETE	SEE VIEW E-E	1484843-2
	AS SHOWN	1484843-1
	REMARKS	PART NO.

THIS DRAWING IS A CONTROLLED DOCUMENT.		DIN C.C.THOMAS 15MAY2002		C.C.THOMAS 1-9-03													
DIMENSIONS: INCHES		TOLERANCES UNLESS OTHERWISE SPECIFIED:		APVD LARRY OH 1-9-03													
<table border="1"> <tr><td>0 PLC</td><td>± .01</td></tr> <tr><td>1 PLC</td><td>± .01</td></tr> <tr><td>2 PLC</td><td>± .01</td></tr> <tr><td>3 PLC</td><td>± .005</td></tr> <tr><td>4 PLC</td><td>± .01</td></tr> <tr><td>ANGLES</td><td>± .1</td></tr> </table>		0 PLC	± .01	1 PLC	± .01	2 PLC	± .01	3 PLC	± .005	4 PLC	± .01	ANGLES	± .1	NAME		ARINC 404 SPECIAL R2R40P40P-0015 (200)	
0 PLC	± .01																
1 PLC	± .01																
2 PLC	± .01																
3 PLC	± .005																
4 PLC	± .01																
ANGLES	± .1																
MATERIAL: SEE CALLOUTS		FINISH: SEE CALLOUTS		APPLICATION SPEC													
CUSTOMER DRAWING		SCALE: 1:1		SHEET 1 OF 2													

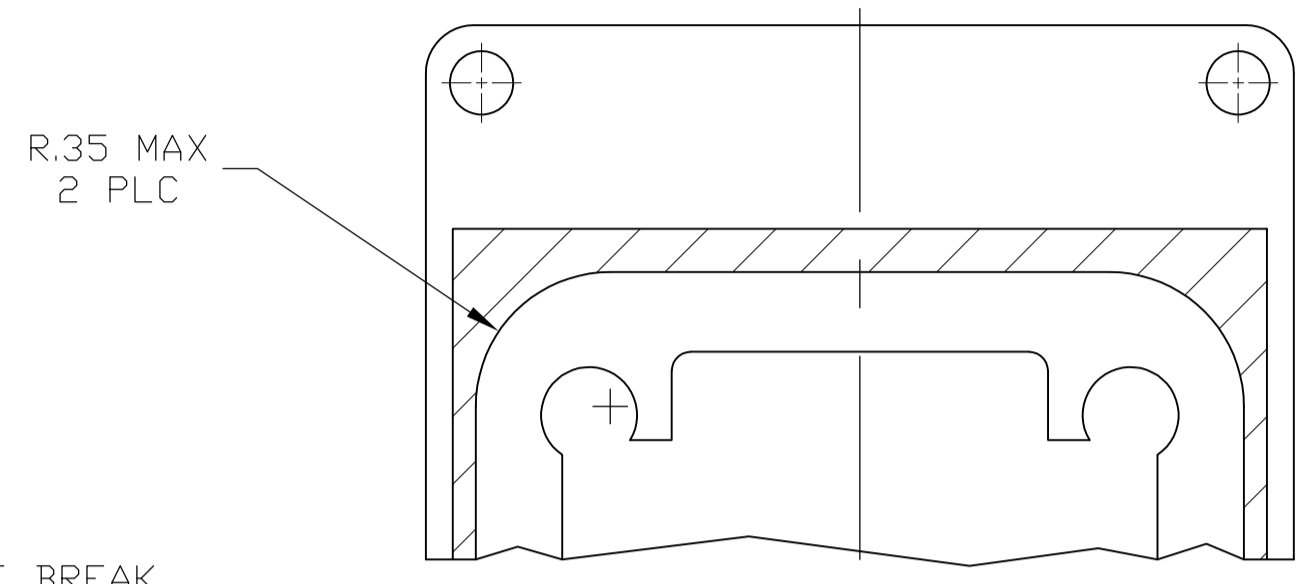
LOC		DIST		REVISIONS				
DF	AO	REV	DATE	DESCRIPTION	DATE	BY	APPV	
-	-	1	-	SEE SHEET 1	-	-	-	



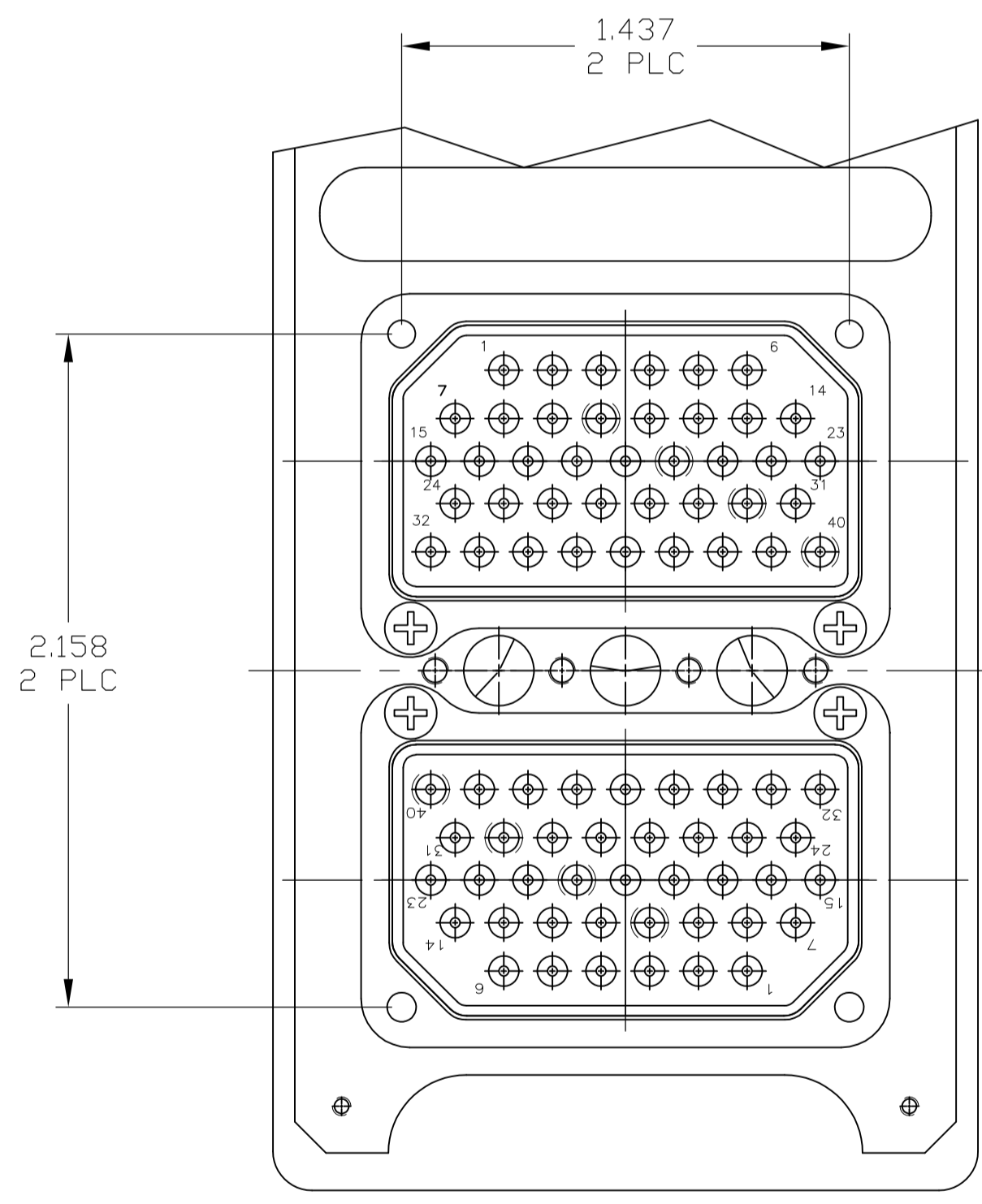
VIEW E-E  
 VIEW FOR 1484897-2 ONLY  
 DIMENSIONS SAME AS 1484897-1  
 EXCEPT AS SHOWN  
 SCALE 2:1  
 SHOWN WITHOUT INSERT & PINS



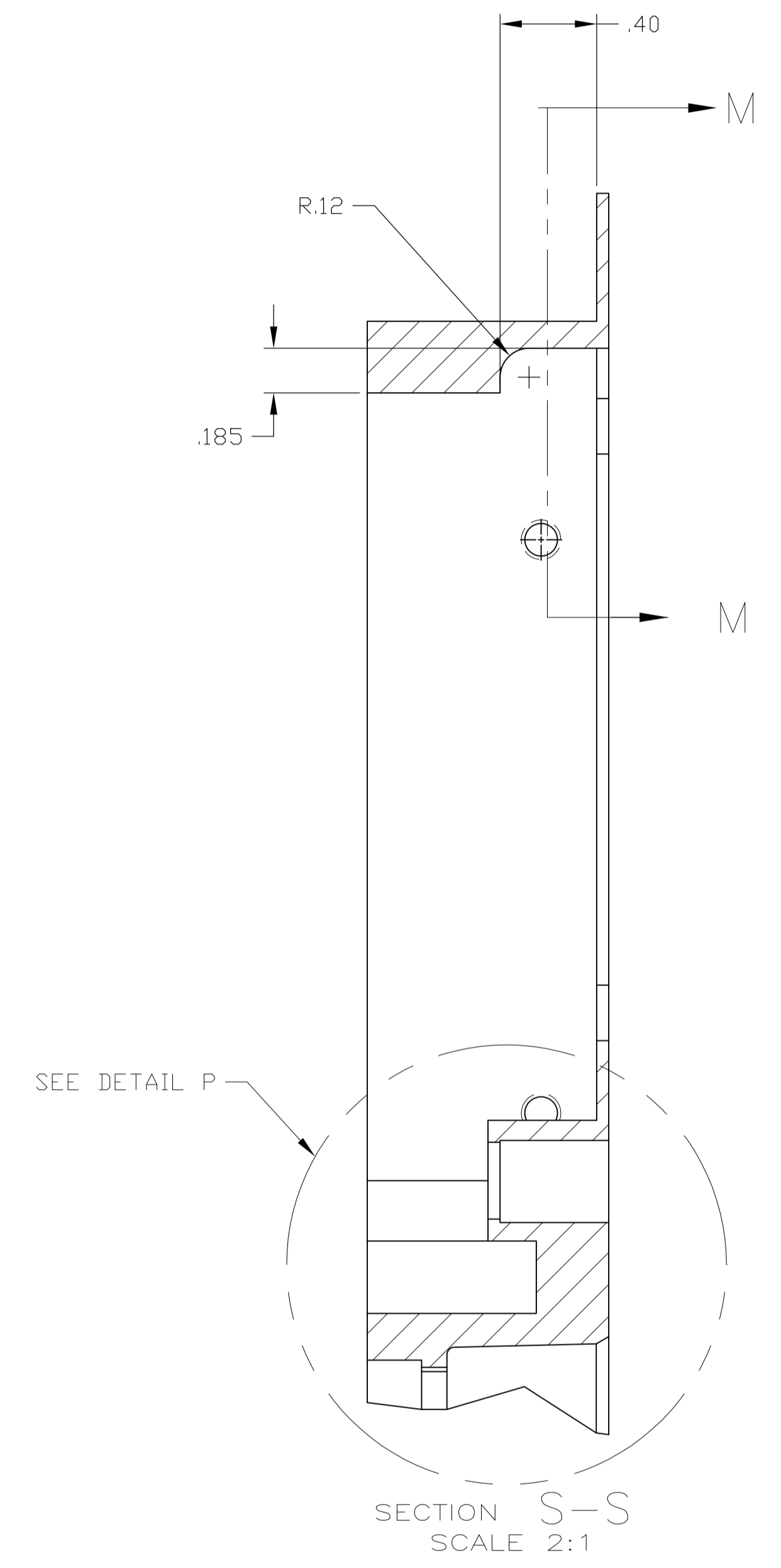
DETAIL P  
 SCALE 2:1



SECTION M-M  
 SCALE 2:1



DETAIL F  
 SCALE 2:1



SECTION S-S  
 SCALE 2:1

THIS DRAWING IS A CONTROLLED DOCUMENT.		DIN C.C.THOMAS 14MAY02		TE Connectivity	
DIMENSIONS: INCHES		TOLERANCES UNLESS OTHERWISE SPECIFIED:			
		0 PLC ± -	1 PLC ± -	2 PLC ± .01	3 PLC ± .005
MATERIAL: SEE SHEET #1		FINISH: SEE SHEET #1		WEIGHT: -	
APPROVED: LARRY OH		DATE: 1-9-03		NAME: -	
APPLICATION SPEC: -		SIZE: A1		CAGE CODE: 00779	
CUSTOMER DRAWING		DRAWING NO: 1484843		RESTRICTED TO: -	
SCALE: 1:1		SHEET: 2 OF 2		REV: J	