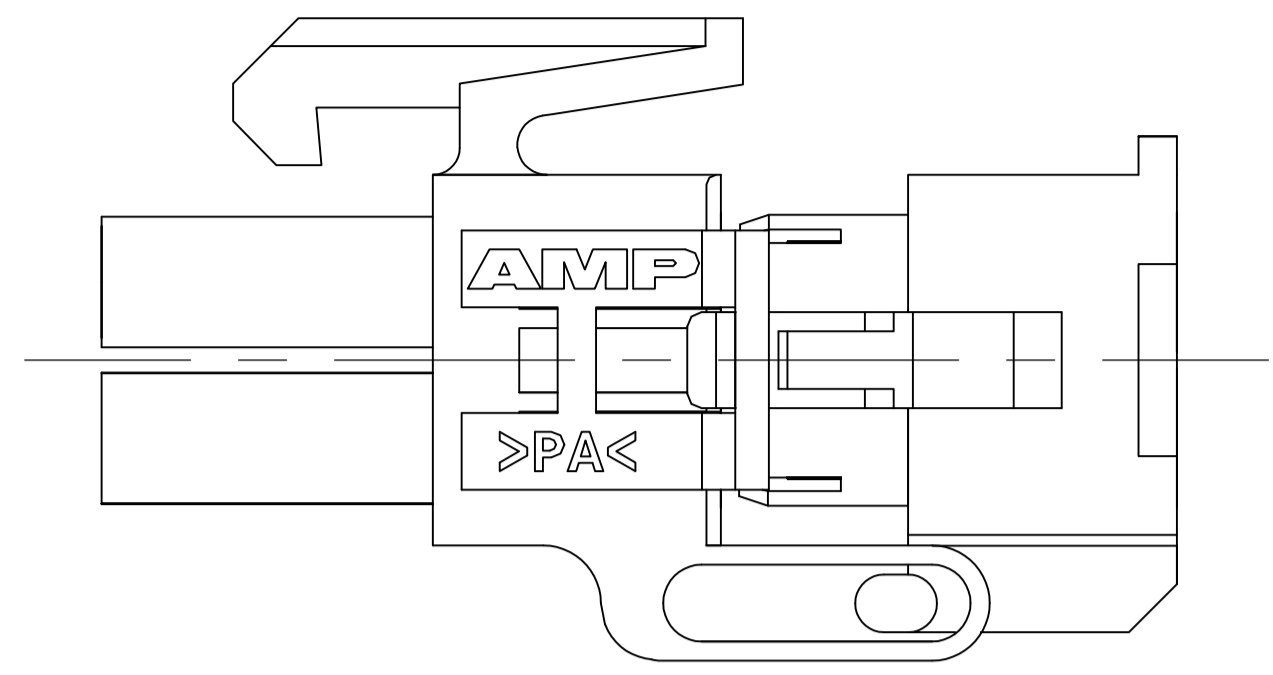
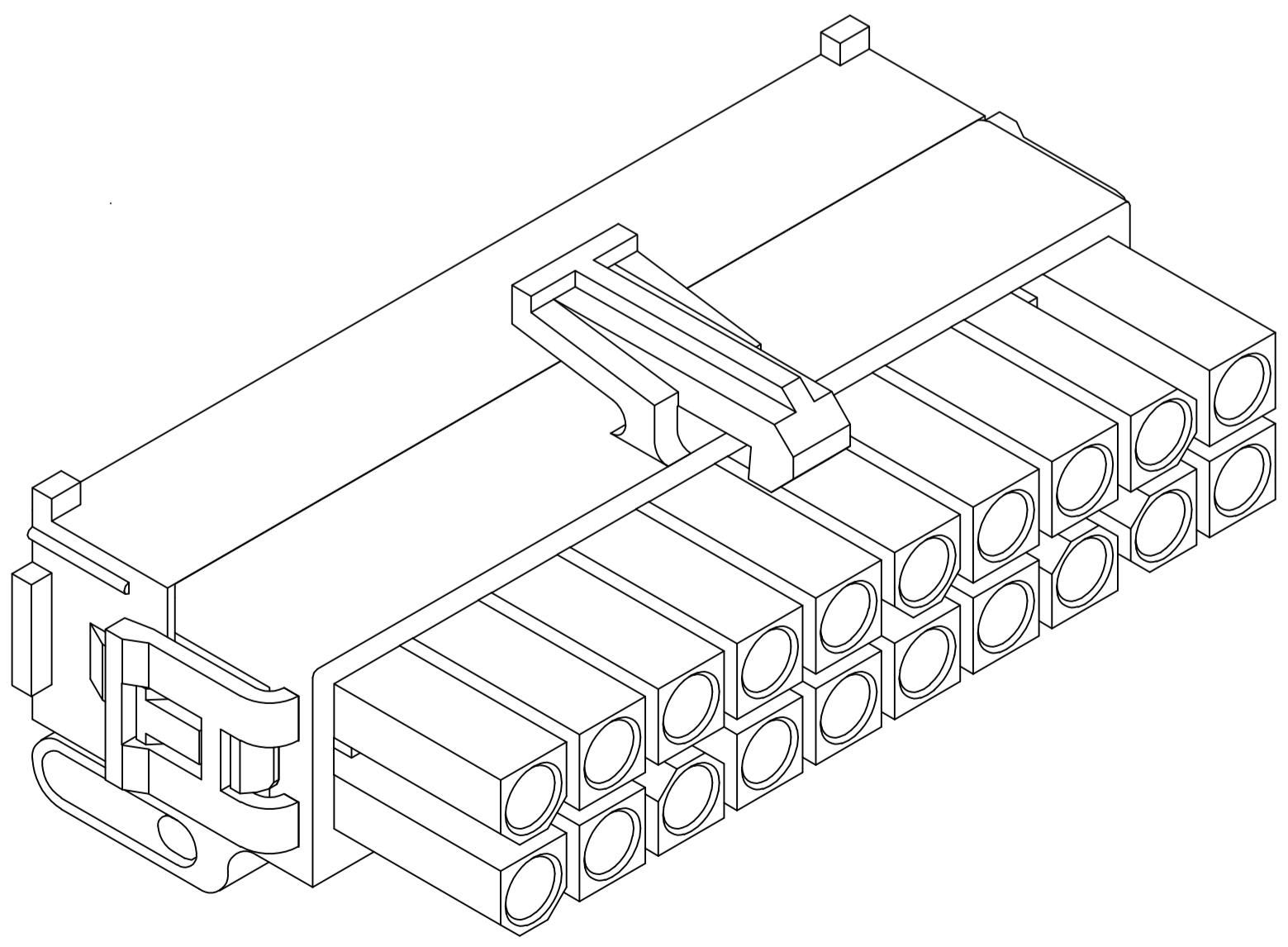
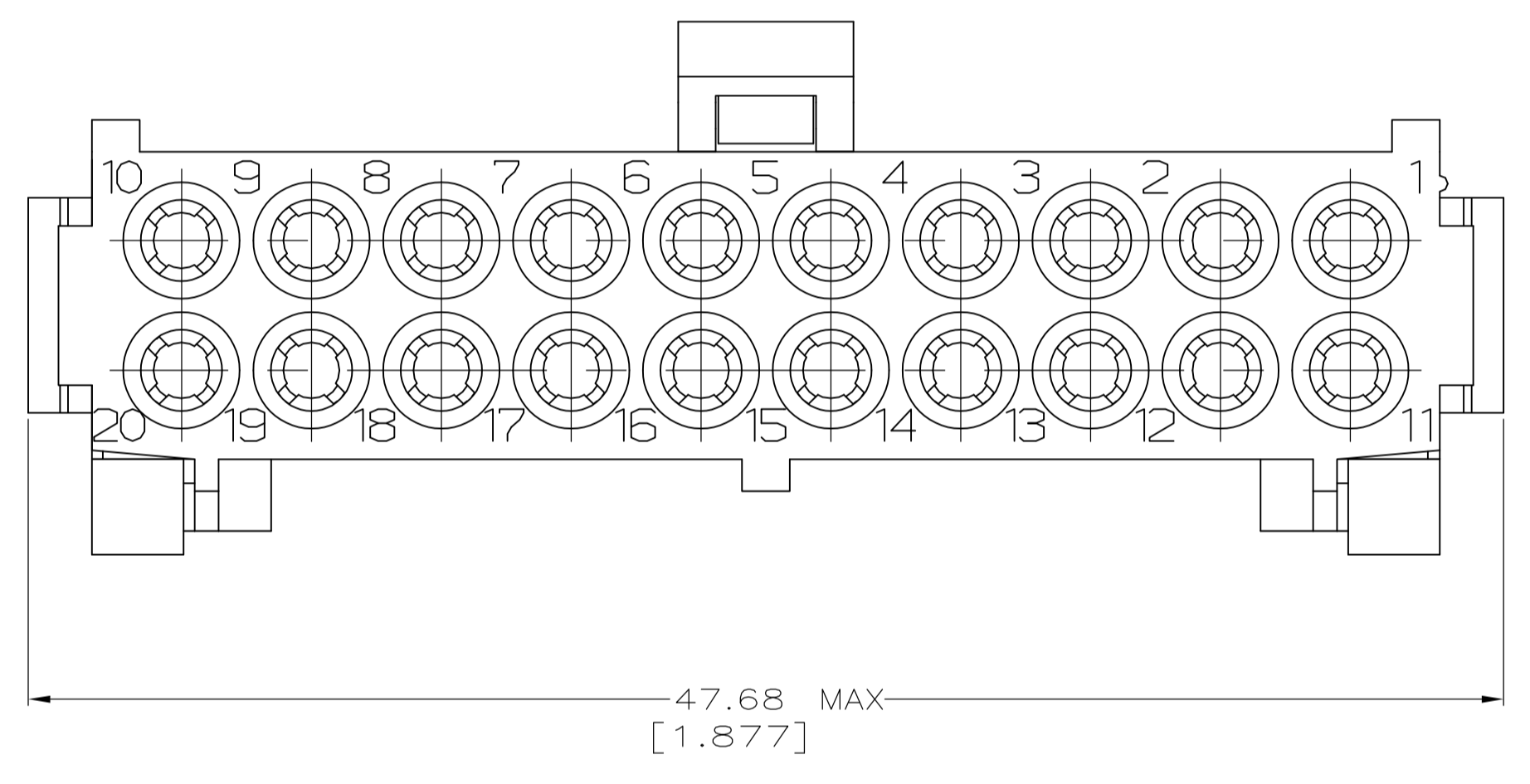
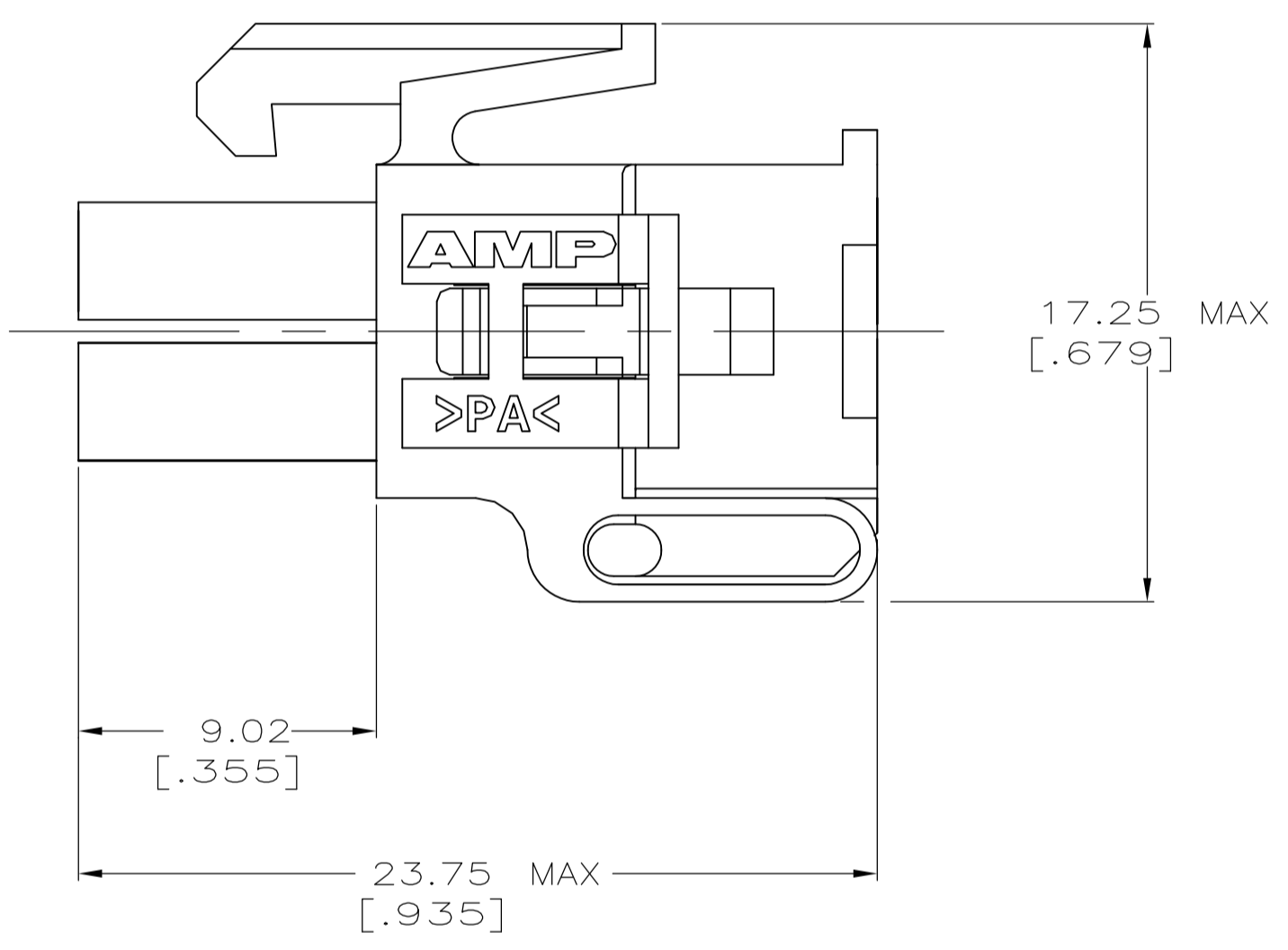
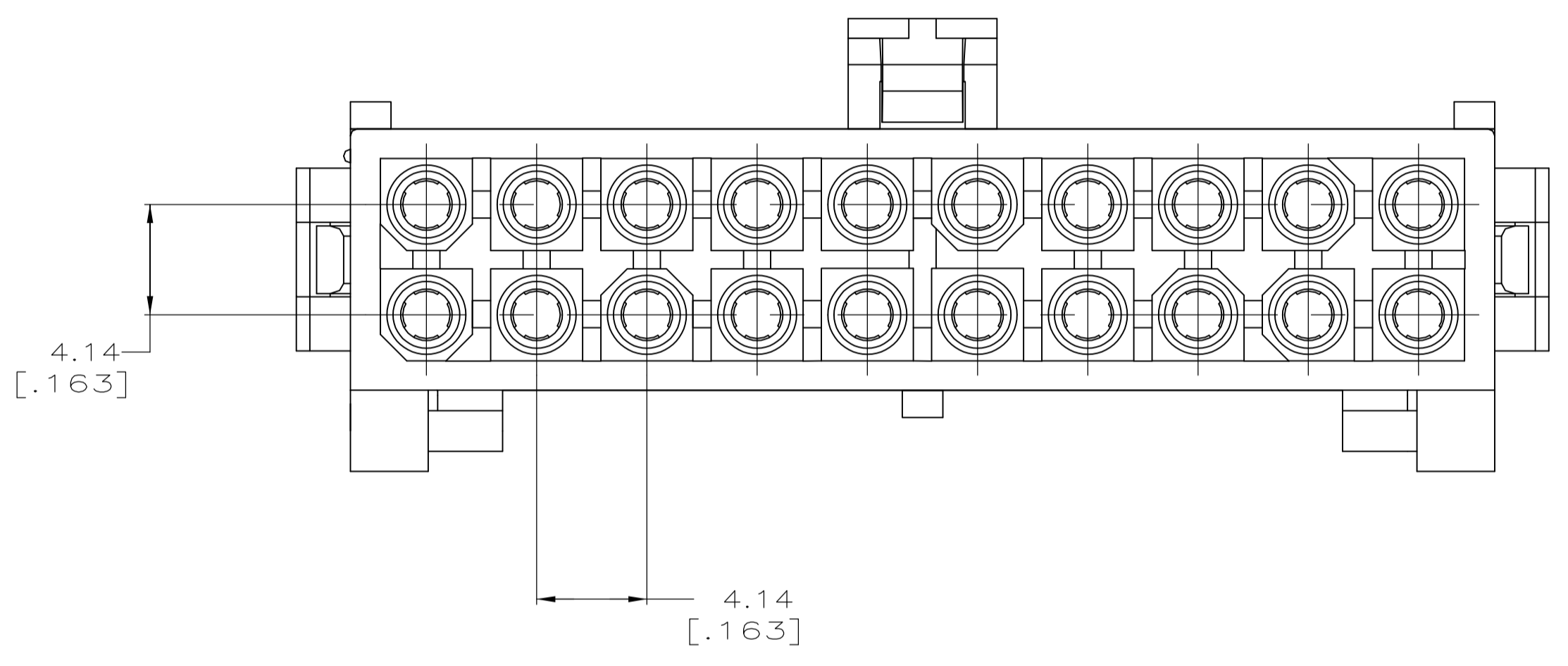


LOC		DIST		REVISIONS			
P	LTR	DESCRIPTION	DATE	DWN	APVD		
CM	53	C1	REVISED PER ECR 10-025344	24FEB11	JR	TM	

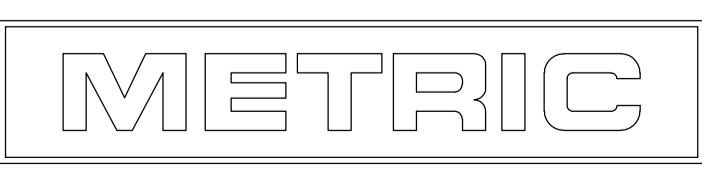
1 DIMENSIONS IN BRACKETS ARE IN INCHES.



PRE-STAGED CONDITION



3-DIMENSIONAL MODEL
NTS



794263-1
PART NUMBER

THIS DRAWING IS A CONTROLLED DOCUMENT.		DIN K. WHITAKER 5-20-97	Tyco Electronics Corporation Harrisburg, PA 17105-3608
		CHK R. SWING 5-20-97	
DIMENSIONS: mm [INCHES]		APP'D R. ORSTAD 5-20-97	NAME PLUG, 20 CIRCUIT, MINI UNIVERSAL MATE-N-LOK
TOLERANCES UNLESS OTHERWISE SPECIFIED:		PRODUCT SPEC	APPLICATION SPEC
0. PLC ± -		SIZE	CAGE CODE
1. PLC ± -		WEIGHT	DRAWING NO
2. PLC ± -		A1 00779 C=794263	
3. PLC ± 0.13 [.005]		RESTRICTED TO	
4. PLC ± -		CUSTOMER DRAWING	
ANGLES ± -		SCALE	SHEET
		5:1	1 OF 1
		REV C1	