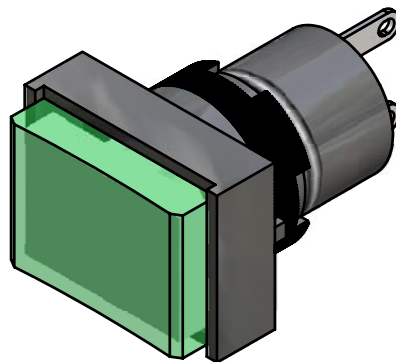
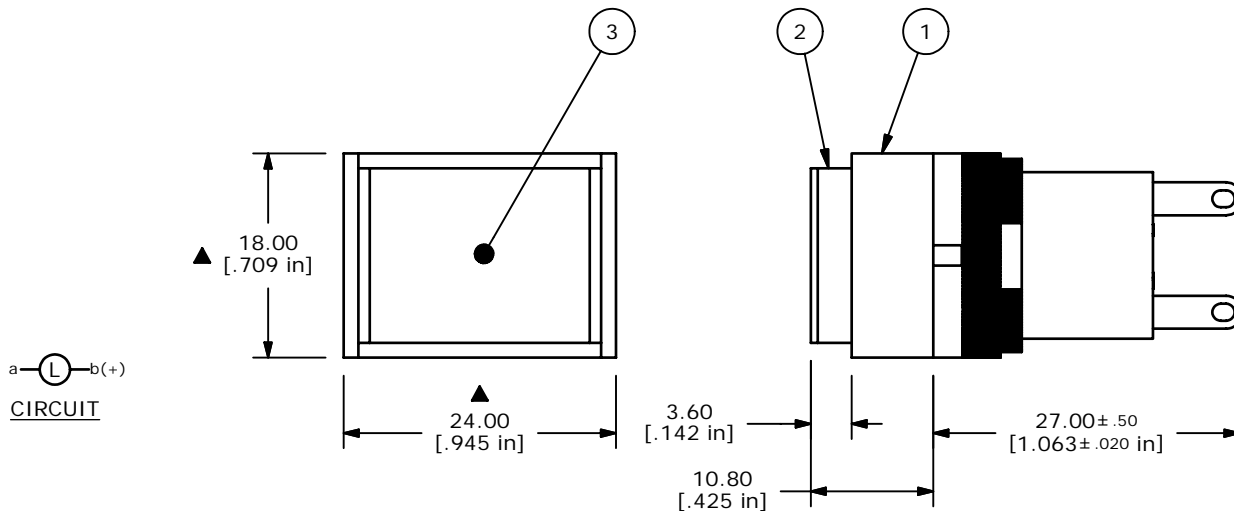


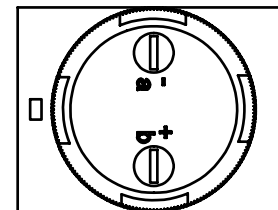
PANEL MOUNTING



PARTS LIST			
ITEM	QTY	PART NUMBER	DESCRIPTION
1	1	F040001	L16PLT10
2	1	F050209	50-002-12 GREEN LENS
3	1	F050408	50-004-08 33V INCANDESCENT BULB



CIRCUIT



- NOTE:
1. ALL DIMENSIONS IN MM [INCH]
 2. GENERAL TOLERANCE: X.X=±0.4
X.XX=±0.25
 3. TERMINAL NUMBERS FOR REF ONLY
 4. OPERATING TEMP: -25°C to +55°C
 5. STORAGE TEMP: -40°C TO +85°C
 - ▲ 6. LAMP VOLTAGE: 33V AC OR DC @35MILLIAMPS
 7. ▲ DENOTES CRITICAL PARAMETER.

E-SWITCH®

A	15402	RELEASED FOR PRODUCTION	10/20/05	PH
REV	PCR NO	DESCRIPTION	DATE	BY

TITLE L16PLT10LGRN				
SCALE	DATE	DR	DWG	REV
2:1	10/20/2005	PH	XF0653P	A

THE INFORMATION CONTAINED IN THIS DOCUMENT IS PROPRIETARY TO E-SWITCH AND IS NOT TO BE COPIED OR TRANSFERRED