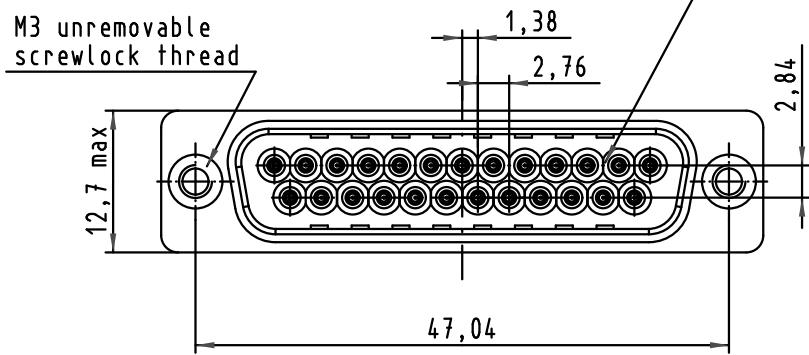
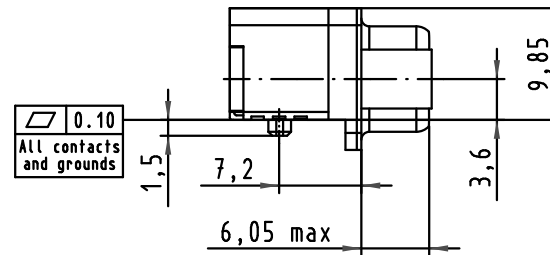


Mating face according to CECC 75301-802

M3 unremovable screwlock thread



PCB Layout, component side (thickness 1,6mm min.)

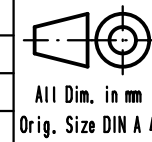


Max. Temperature: 260°C during 10 seconds

09553663819.741	1	M3	Black Insulator	Reel Packaging (160 connectors) see page 2/2
09553666819.741	2			
09553667819.741	3			

Part number	PL	Thread	Index designation
-------------	----	--------	-------------------

	Dot.	Name
Detail.	30Jun2010	ED
Insp.		
Stand.		
Mod.	EC01953	30Jun2010
Dot.		ED
Name	HARTING EURL F-95972 Paris	



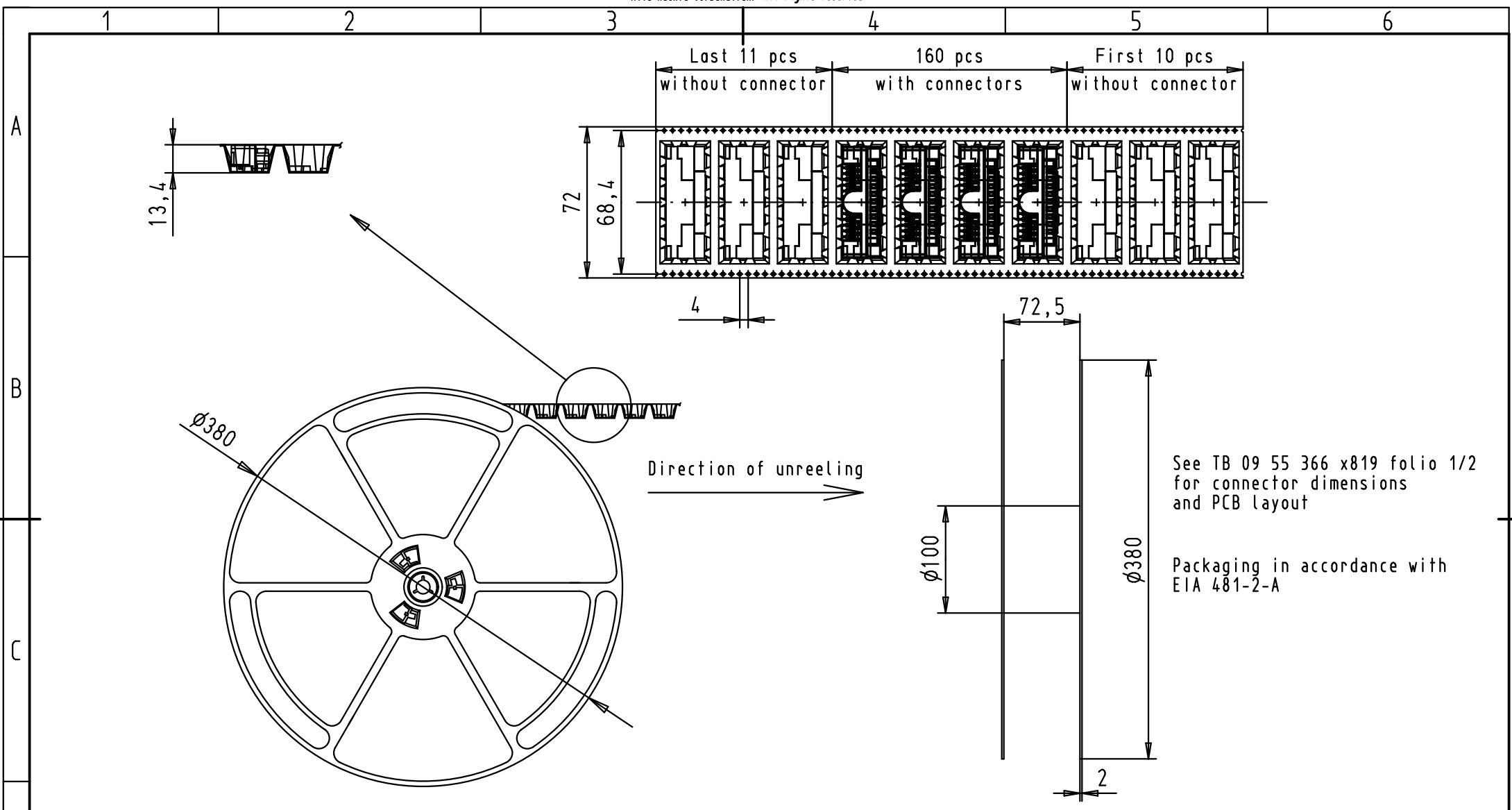
All Dim. in mm
Orig. Size DIN A 4



D-SUB SMT
Low Profile Male 25p
with die casted grounds
and M3 unremovable screwlocks

TB 09 55 366 x819
Sub.

Maßstab/
Scale
1,5:1
Blatt/ Page
1/2



See TB 09 55 366 x819 folio 1/2 for connector dimensions and PCB layout

Packaging in accordance with EIA 481-2-A

				Dot.	Name
				Detail.	30Jun2010 ED
				Insp.	
				Stand.	



D-SUB SMT
Low Profile Male 25p
with die casted grounds
and M3 unremovable screwlocks

Maßstab/
Scale

09553663819.741	1	M3	Black Insulator	Reel Packaging (160 connectors)
09553666819.741	2			
09553667819.741	3			
Part number	PL	Thread	Index designation	

EC01953	30Jun2010	ED
Mod.	Dot.	Name

HARTING EURL
F-95972 Paris



TB 09 55 366 x819

Blatt/ Page
2 / 2