

Customer Information Sheet

DRAWING No.: M20-791XX42R

SHEET 3 OF 4

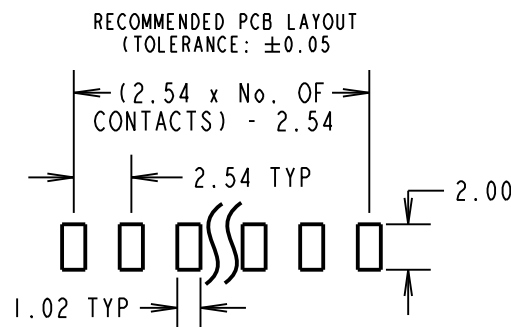
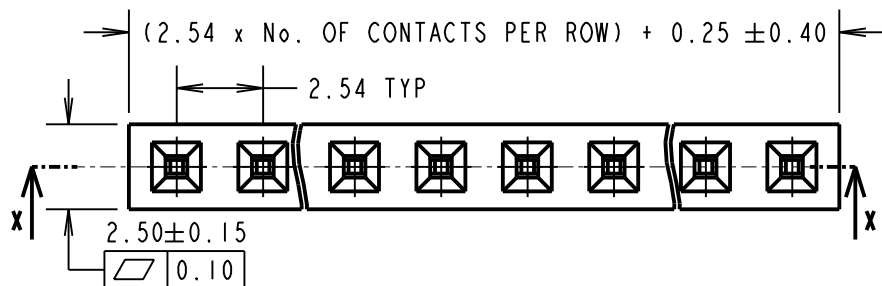
IF IN DOUBT - ASK

©

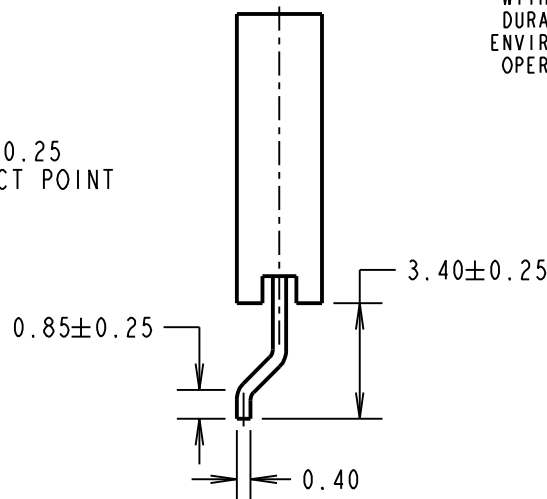
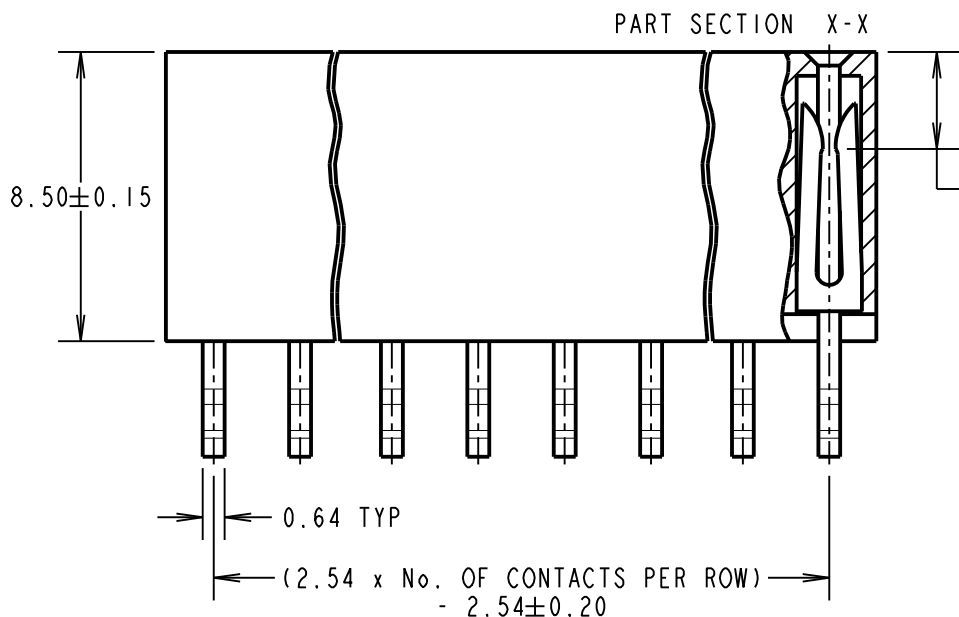
NOT TO SCALE

THIRD ANGLE PROJECTION

ALL DIMENSIONS IN mm



COMPONENT SPECIFICATIONS:
MATERIAL:
 MOULD = GLASS FILLED PA9T, UL94V-0
 CONTACTS = PHOSPHOR BRONZE
FINISH:
 0.76-2.03µ NICKEL ALL OVER,
 0.015µ MIN GOLD ON CONTACT,
 2.03-5.08µ TIN ON TAILS.
ELECTRICAL:
 CURRENT RATING = 3A
 CONTACT RESISTANCE = 20mΩ MAX
 INSULATION RESISTANCE = 1000MΩ MIN
 VOLTAGE PROOF = 500V AC FOR ONE MINUTE
MECHANICAL:
 INSERTION FORCE = 1.96N MAX PER CONTACT
 WITHDRAWAL FORCE = 0.19N MIN PER CONTACT
 DURABILITY = 300 CYCLES MIN
ENVIRONMENTAL:
 OPERATING TEMPERATURE = -40°C TO +105°C



ORDER CODE:
M20-791XX42R
 No. OF CONTACTS PER ROW: _____
 02-06, 08, 10

MSP	1	12.05.16	-----
NAME	ISS.	DATE	C/NOTE
APPROVED:		M.PERREN	
CHECKED:		S.BENNETT	
DRAWN:		M.PERREN	
CUSTOMER REF.:			
ASSEMBLY DRG.:			

NOTES:
 1. FOR TAPE AND REEL DETAILS SEE SHEET 4.

HARWIN

www.harwin.com
 technical@harwin.com

THIS DRAWING AND ANY INFORMATION OR DESCRIPTIVE MATTER SET OUT HEREON ARE CONFIDENTIAL AND COPYRIGHT PROPERTY OF THE HARWIN GROUP AND MUST NOT BE DISCLOSED, LOANED, COPIED OR USED FOR MANUFACTURING, TENDERING OR FOR ANY OTHER PURPOSE WITHOUT THEIR WRITTEN PERMISSION.

TOLERANCES
 X. = ±1mm
 X.X = ±0.50mm
 X.XX = ±0.10mm
 X.XXX = ±0.01mm
 ANGLES = ±5°
 UNLESS STATED

MATERIAL:
 SEE ABOVE
FINISH:
 SEE ABOVE
S/AREA:
 mm²

TITLE:
 2.54mm SOCKET SIL
 HORIZONTAL SMT TAPE & REEL
DRAWING NUMBER:
M20-791XX42R
 SHT 3 OF 4

Customer Information Sheet

DRAWING No.: M20-791XX42R

SHEET 4 OF 4

IF IN DOUBT - ASK

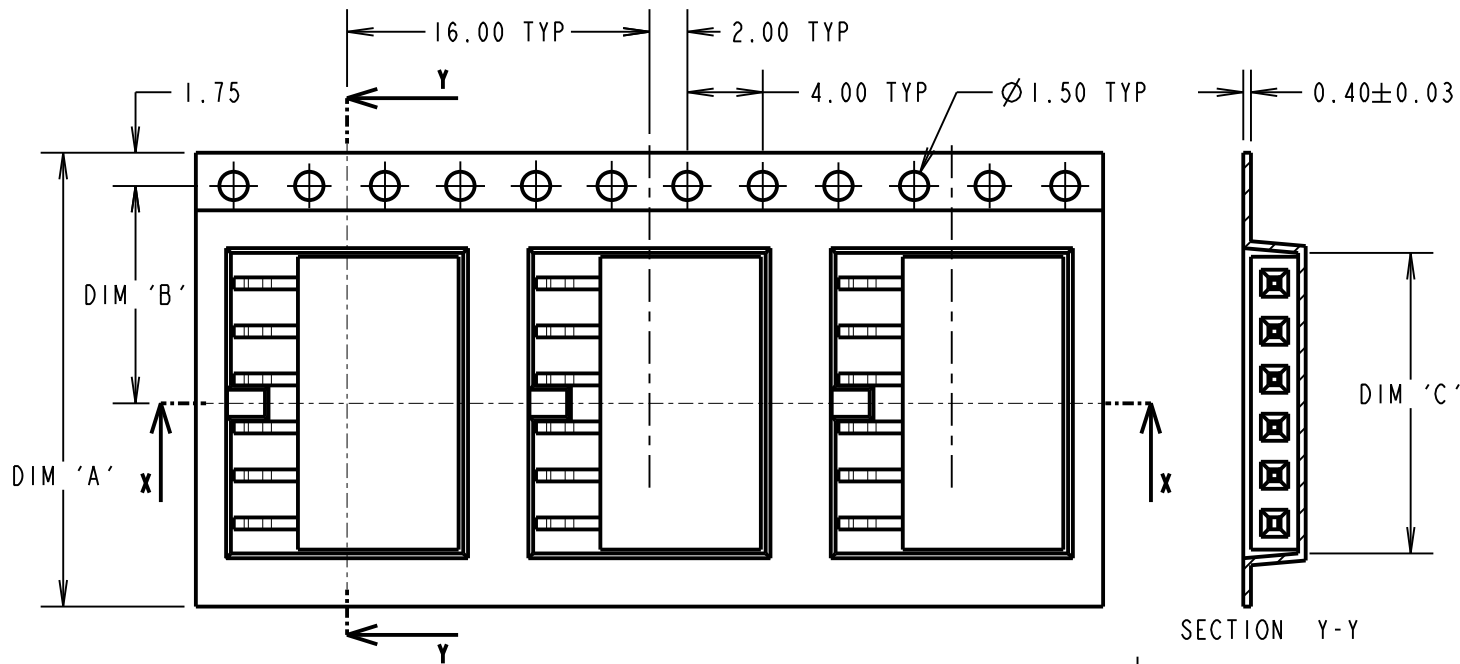
(C)

NOT TO SCALE

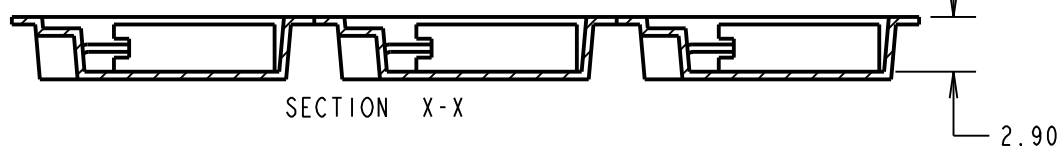
THIRD ANGLE PROJECTION

ALL DIMENSIONS IN mm

TAPE DETAILS FOR
02, 03, 04, 05 & 06 WAYS ONLY

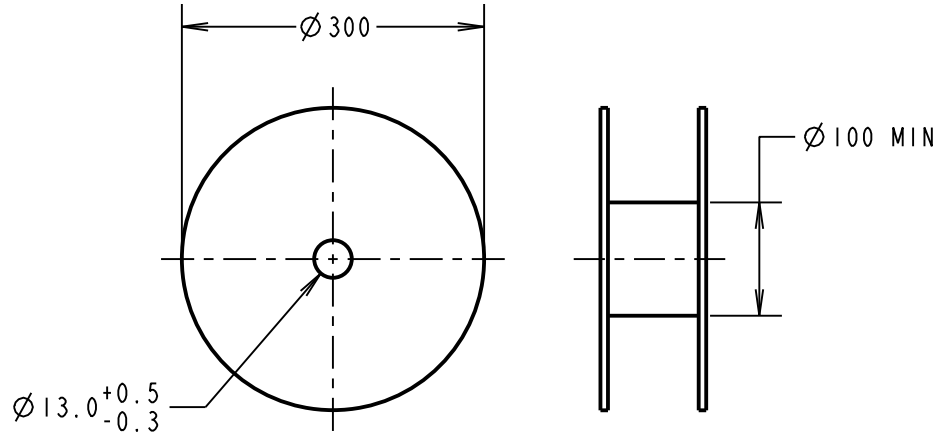


SECTION Y-Y

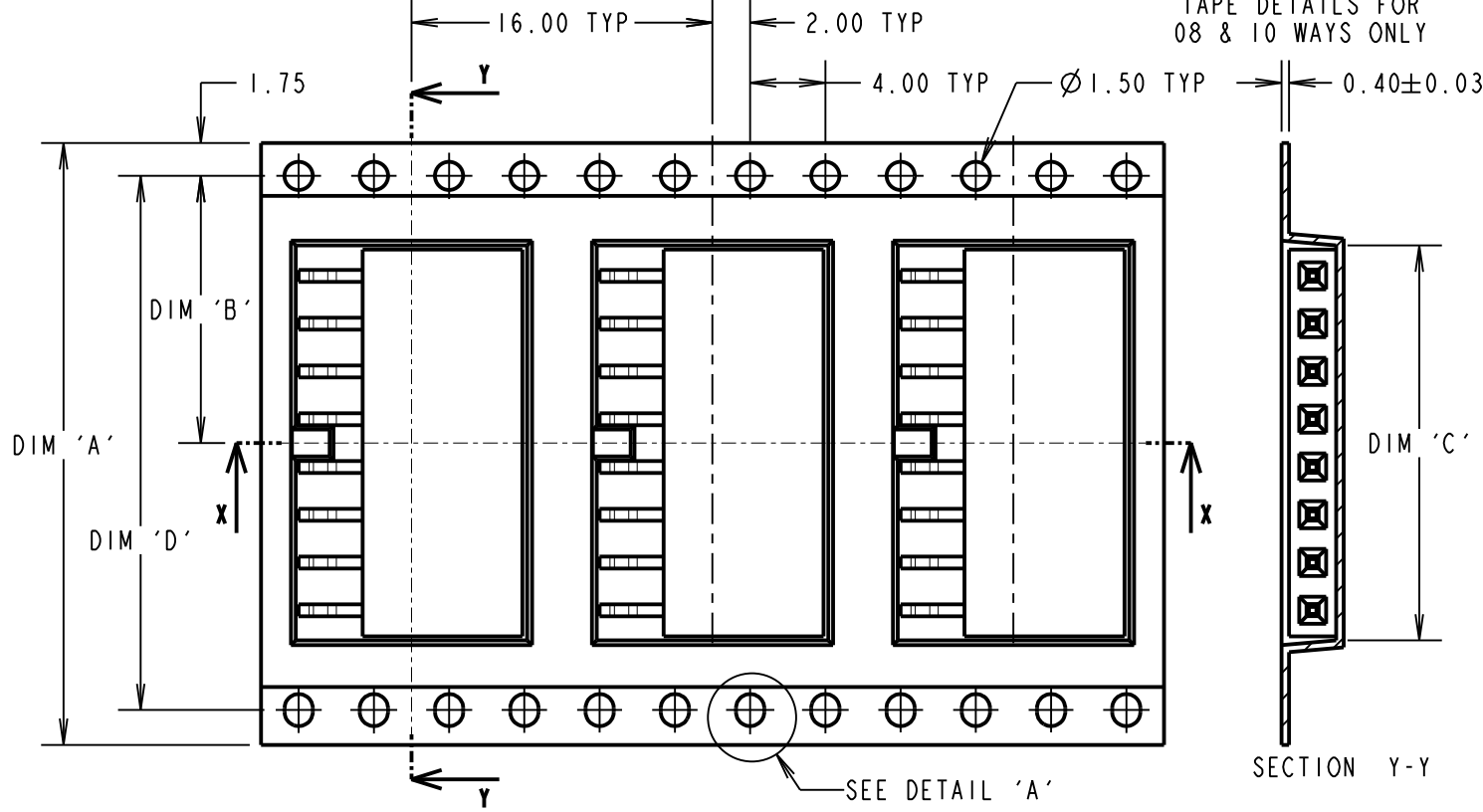


SECTION X-X

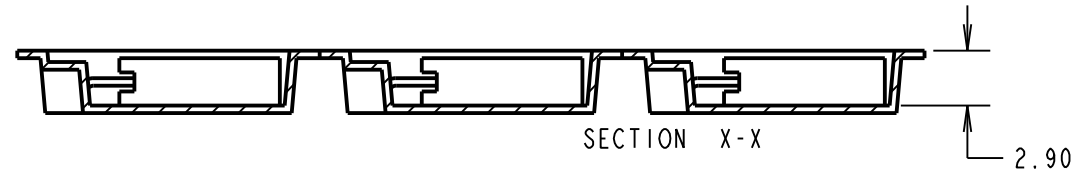
REEL DETAILS



TAPE DETAILS FOR
08 & 10 WAYS ONLY

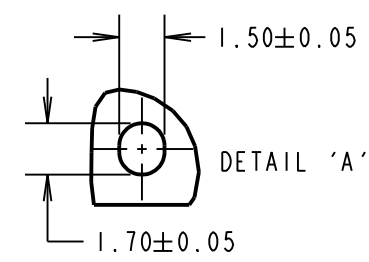
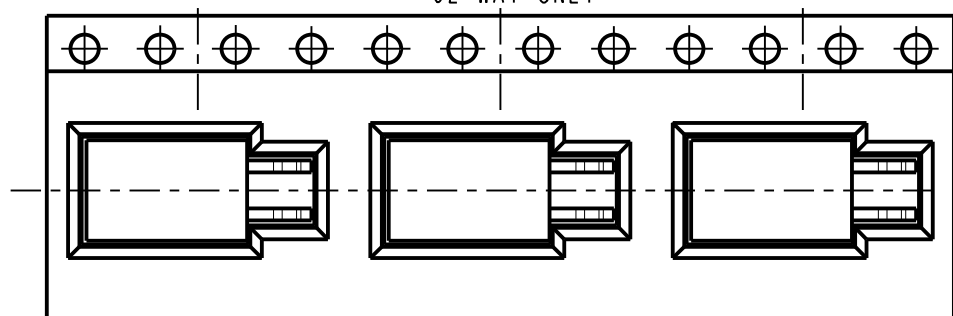


SECTION Y-Y

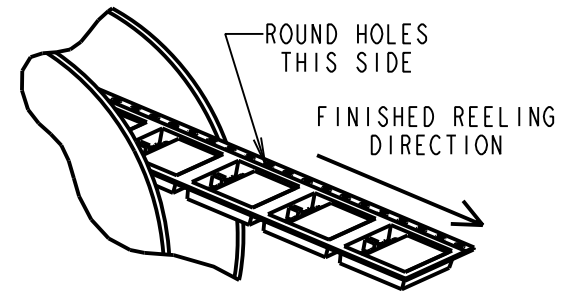


SECTION X-X

TAPE DETAILS FOR ORIENTATION OF
02 WAY ONLY



DETAIL 'A'



PART No.	DIMENSION				REEL QUANTITY
	DIM 'A'	DIM 'B'	DIM 'C'	DIM 'D'	
M20-7910242R	16.00±0.30	7.50	5.70	N/A	1300
M20-7910342R			8.30		
M20-7910442R	24.00±0.30	11.50	10.80		
M20-7910542R			13.20		
M20-7910642R			15.90		
M20-7910842R	32.00±0.30	14.20	21.00		
M20-7911042R	44.00±0.30	20.20	26.05	40.40	

- NOTES:
 1. PRODUCT TO BE TAPE AND REELED IN GENERAL ACCORDANCE WITH EIA-481 (ELECTRONIC INDUSTRIES ASSOCIATION).
 2. FOR CONNECTOR DETAILS AND SPECIFICATIONS, SEE SHEET 3.

MSP	1	12.05.16	----
NAME	ISS.	DATE	C/NOTE
APPROVED:		M.PERREN	
CHECKED:		S.BENNETT	
DRAWN:		M.PERREN	
CUSTOMER REF.:			
ASSEMBLY DRG:			

ORDER CODE:
M20-791XX42R
 No. OF CONTACTS PER ROW:
 02-06, 08, 10

HARWIN
 www.harwin.com
 technical@harwin.com

THIS DRAWING AND ANY INFORMATION OR DESCRIPTIVE MATTER SET OUT HEREON ARE CONFIDENTIAL AND COPYRIGHT PROPERTY OF THE HARWIN GROUP AND MUST NOT BE DISCLOSED, LOANED, COPIED OR USED FOR MANUFACTURING, TENDERING OR FOR ANY OTHER PURPOSE WITHOUT THEIR WRITTEN PERMISSION.

TOLERANCES
 X. = ±1mm
 X.X = ±0.25mm
 X.XX = ±0.10mm
 X.XXX = ±0.01mm
 ANGLES = ±5°
 UNLESS STATED

MATERIAL: SEE ABOVE
 FINISH: SEE ABOVE
 S/AREA: mm²

TITLE:
 2.54mm SOCKET SIL
 HORIZONTAL SMT TAPE & REEL
 DRAWING NUMBER:
M20-791XX42R
 SHT 4 OF 4