

SUMMARY

Wires

Low	14
High	0
Coax	0
Triax	0
Quad	0
Fiber	0
Fluidic	0



Image is for illustrative purpose only

Download

[Request a quote](#)

[Catalog](#)

Series	2W
Termination type	Male solder
IP rating	68
Cable Ø	9.10 - 9.50 mm
Matching parts	EVG.2W.314.CLL
Status	
Alternative part	

TECHNICAL DETAILS

Mechanics

Shell Style/Model	FV_/K*: Straight plug, oversize cable collet
Keying	
Housing Material	Brass (chrome plated) shell and collet nut, nickel plated brass latch sleeve and mid pieces
Cable Fixing	K95: 9.1 - 9.5 mm
Variant	

Performance

Configuration	
Insulator	
Rated Current	6.5 Amps

Specifications

Contact Type:	Solder
Max. Matings:	5000
Contact Dia.:	0.7 mm (0.028in)
Bucket Dia.:	0.8 mm (0.031in)
Max. Stranded Conductor:	0.34 mm ² (AWG 22)
Max. Conductor:	0.34 mm ² (AWG 22)

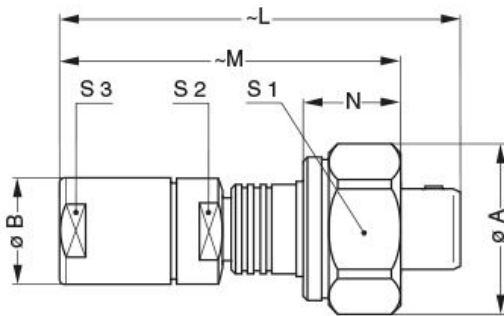
R (max): 6.1 mOhm
Vtest (contact-contact): 1150 V (AC) 1600 V (DC)
Vtest (contact-shell): 1350 V (AC) 1900 V (DC)

Others

Pressure: 30 bars
IP Rating: 68

DRAWINGS

Draws



Dimensions

	A	B	L	M	N	S1	S2	S3
mm.	23.5	17	68.5	56	15.5	22	15	15
in.	0,93	0,67	2,70	2,20	0,61	0,87	0,59	0,59

RECOMMENDED BY LEMO

Tools

None

Cables