

DRAWING MADE IN THIRD ANGLE PROJECTION

3

2

1

LOC R 39 DIST 39

© COPYRIGHT 1974 BY AMP INCORPORATED, HARRISBURG, PA. ALL INTERNATIONAL RIGHTS RESERVED. AMP INCORPORATED PRODUCTS COVERED BY U.S. AND FOREIGN PATENTS AND/OR PATENTS PENDING.

206742-1 1. AS SHOWN.

REVISIONS						
P	F	ZONE	LTR	DESCRIPTION	DATE	APPROVED
		O		RELEASED	D.S. 7-17-74	DR
		A		REV. PER ECN D-132	2/7/75	DR
		A1		REV. PER ECN D-306	D.S. 10-30-74	DR
		B		REMOVED "B" D-EBS	3/2/75	DR

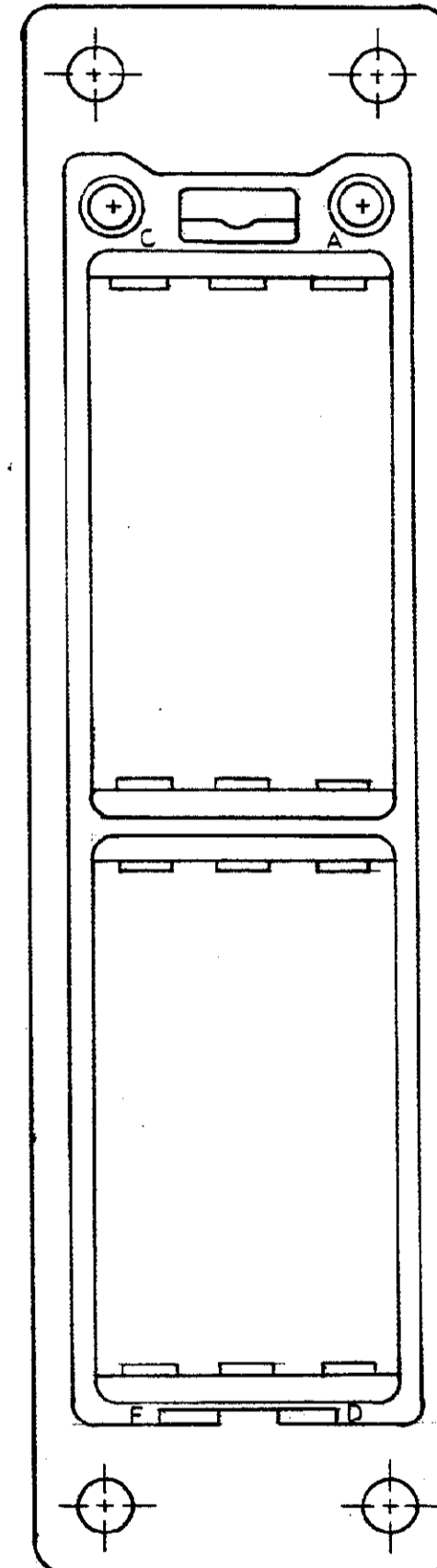
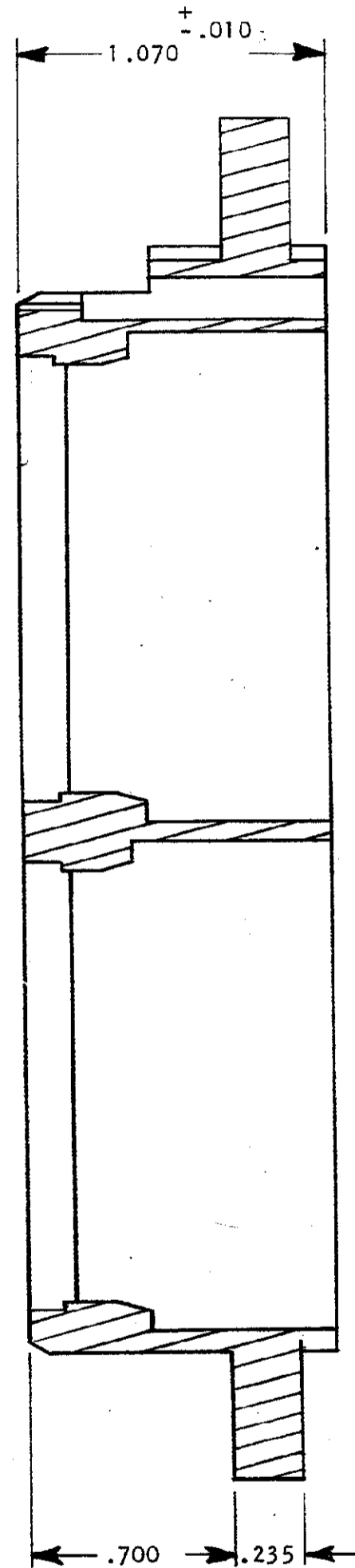
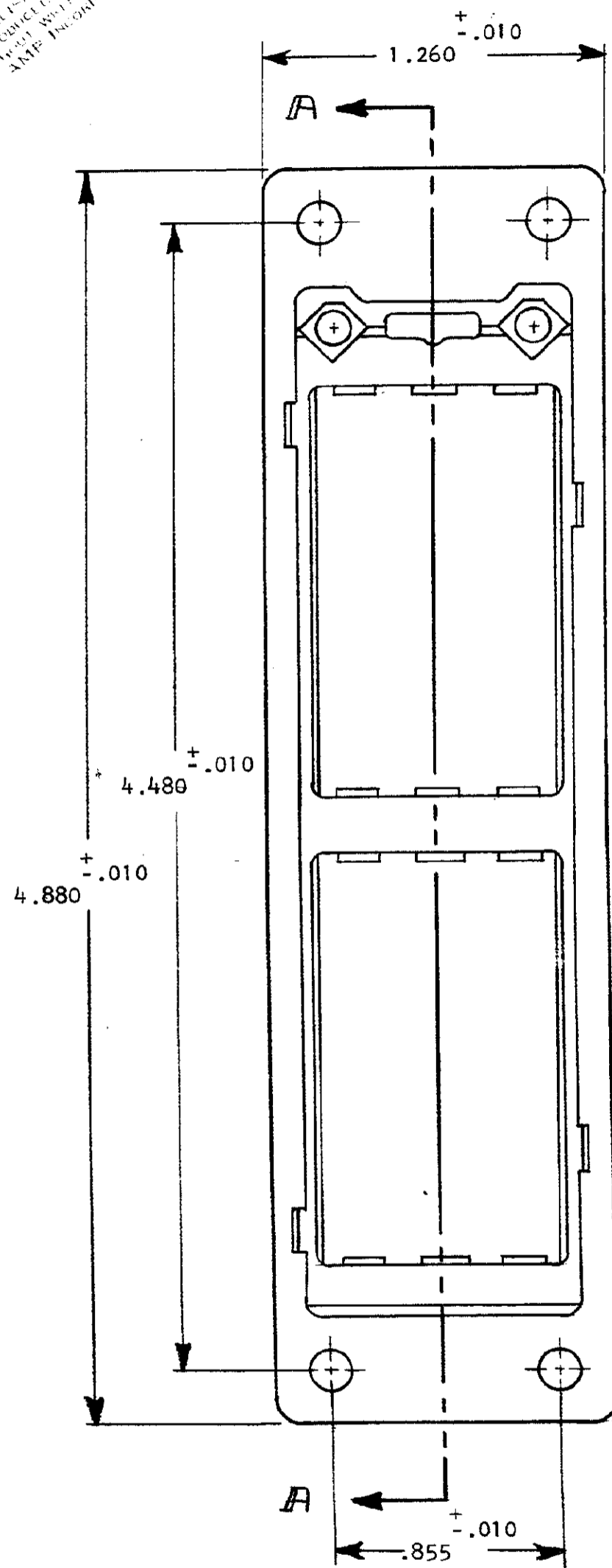
UNPUBLISHED COPY RIGHTS RESERVED. AMP INCORPORATED.

S
D

C

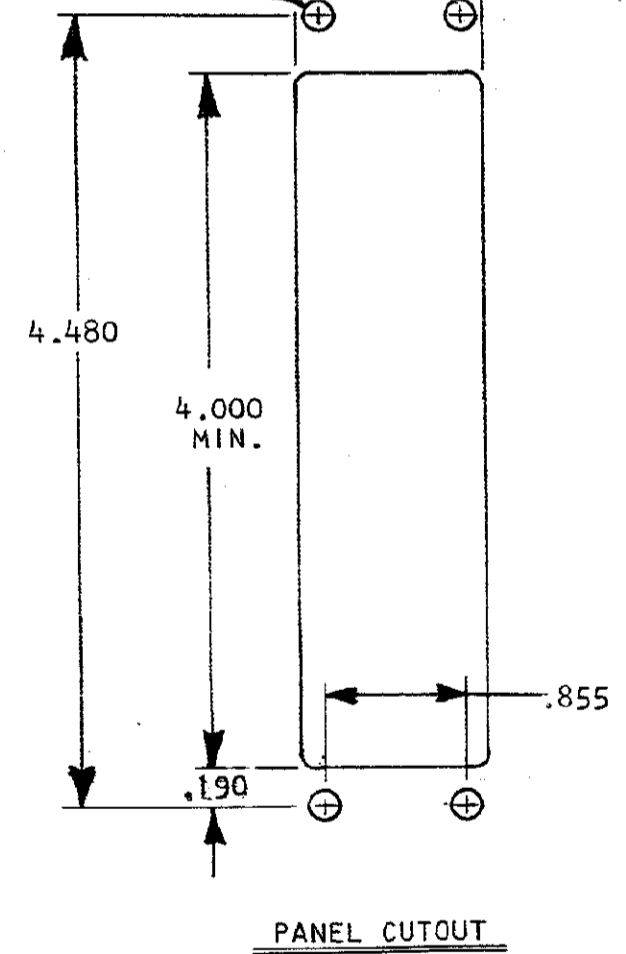
B

A



RECEPTACLE HOUSING
MAT'L.- GLASS REINFORCED
THERMOPLASTIC,
COLOR: BLACK

.187 DIA. HOLE, (4) PLACES
1.130 MIN.



CUST. # 206742

SECTION
A-A

UNLESS OTHERWISE SPECIFIED DIMENSIONS ARE IN INCHES.
TOLERANCES ON:
DECIMALS ±.005
ANGLES ±.015

MATERIAL
SEE CALL OUT

FINISH
//

CONTRACT NO
DR *D.S. 7-16-74*

CHK *DR 7-17-74*

APPD *DR 7/18/74*

APPD *DCB 7/18/74*

DSGN APPD

OTHER APPD

AMP INCORPORATED Harrisburg, Pa.		
NAME RECEPTACLE KIT, ZERO ENTRY SIZE II (6, 26 POS. MODULES) SNAP-IN		
SIZE	CODE IDENT NO	DRAWING NO
C	00779	206742
SCALE	"CR" SERIES	SHEET 1 OF 1

PART NO