

### FEATURES

#### General

- Low power HDMI/DVI transmitter ideal for portable applications
- CEC controller and expanded message buffer (3 messages) reduces system overhead
- Incorporates HDMI 1.3 (x.v.Color) technology
- Compatible with DVI 1.0
- Optional embedded HDCP keys to support HDCP 1.3
- 1.8 V and 1.2 V supplies for ultralow operating power
- Video/audio inputs accept logic levels from 1.8 V to 3.3 V

#### Digital video

- 80 MHz operation supports all video and graphics resolutions from 480i to 1080i
- Programmable 2-way color-space converter
- Supports RGB, YCbCr, and DDR
- Supports ITU656-based embedded syncs
- Automatic input video format timing detection (CEA-861-E)

#### Digital audio

- Supports standard S/PDIF for stereo LPCM or compressed audio up to 192 kHz
- 2-channel, uncompressed LPCM I<sup>2</sup>S audio up to 192 kHz

#### Special features for easy system design

- On-chip MPU with I<sup>2</sup>C master to perform EDID reading and HDCP operations; reports HDMI events through interrupts and registers
- 5 V tolerant I<sup>2</sup>C and HPD I/Os, no extra device needed
- No audio master clock needed for supporting S/PDIF and I<sup>2</sup>S
- Compatible with [AD9394](#) HDMI companion chip 5 V generator for Hot Plug detection in portable applications

### APPLICATIONS

- Cellular handsets
- Digital video cameras
- Digital still cameras
- Personal media players
- Gaming
- DVD players and recorders
- Digital set-top boxes
- HDMI repeater

### GENERAL DESCRIPTION

The [ADV7523A](#) is an 80 MHz, High-Definition Multimedia Interface (HDMI™) transmitter with expanded CEC buffer. It supports HDTV formats up to 1080i and computer graphic resolutions up to XGA at 75 Hz.

For more information about the [ADV7523A](#), email: [ATV\\_VideoTx\\_Apps@analog.com](mailto:ATV_VideoTx_Apps@analog.com).

#### Rev. SpB

#### Document Feedback

Information furnished by Analog Devices is believed to be accurate and reliable. However, no responsibility is assumed by Analog Devices for its use, nor for any infringements of patents or other rights of third parties that may result from its use. Specifications subject to change without notice. No license is granted by implication or otherwise under any patent or patent rights of Analog Devices. Trademarks and registered trademarks are the property of their respective owners.

### FUNCTIONAL BLOCK DIAGRAM

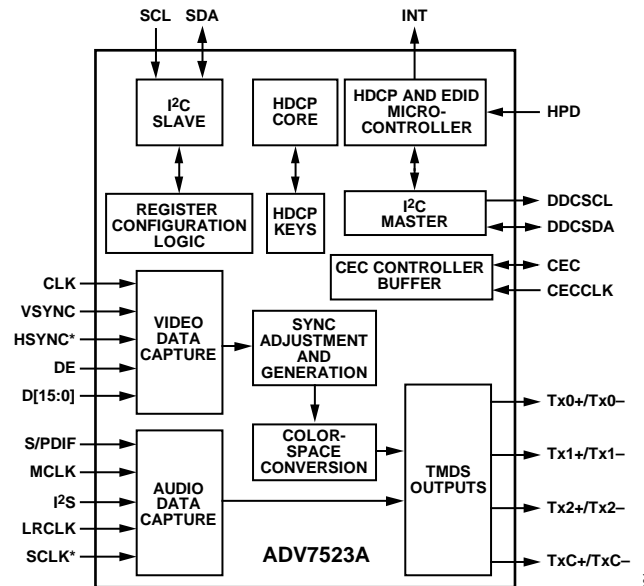


Figure 1.

With the optional inclusion of embedded HDCP keys, the [ADV7523A](#) allows the secure transmission of protected content, as specified by the HDCP 1.3 protocol.

The [ADV7523A](#) supports x.v.Color™ (gamut metadata) for a wider color gamut.

The [ADV7523A](#) supports both S/PDIF and 2-channel I<sup>2</sup>S audio. Its high fidelity, 2-channel I<sup>2</sup>S audio can transmit stereo up to a 192 kHz sampling rate. S/PDIF can carry stereo LPCM audio or compressed audio, including Dolby® digital and DTS®.

The [ADV7523A](#) helps to reduce system design complexity and cost by incorporating such features as an I<sup>2</sup>C master for EDID reading, and 5 V tolerance on the I<sup>2</sup>C and Hot Plug™ detect pins.

Fabricated in an advanced CMOS process, the [ADV7523A](#) is available in a space saving, 49-ball, WLCSP surface-mount package. This package is RoHS compliant and specified to operate from -25°C to +85°C.

# ADV7523A\* PRODUCT PAGE QUICK LINKS

Last Content Update: 02/23/2017

---

## COMPARABLE PARTS

View a parametric search of comparable parts.

## EVALUATION KITS

- ADV7532A Evaluation Board

## DOCUMENTATION

### Data Sheet

- ADV7523A: Low Power HDMI/DVI Transmitter with Consumer Electronics Control (CEC) Data Sheet

## REFERENCE MATERIALS

### Informational

- Advantiv™ Advanced TV Solutions

## DESIGN RESOURCES

- ADV7523A Material Declaration
- PCN-PDN Information
- Quality And Reliability
- Symbols and Footprints

## DISCUSSIONS

View all ADV7523A EngineerZone Discussions.

## SAMPLE AND BUY

Visit the product page to see pricing options.

## TECHNICAL SUPPORT

Submit a technical question or find your regional support number.

## DOCUMENT FEEDBACK

Submit feedback for this data sheet.

---

**NOTES**

I<sup>2</sup>C refers to a communications protocol originally developed by Philips Semiconductors (now NXP Semiconductors).