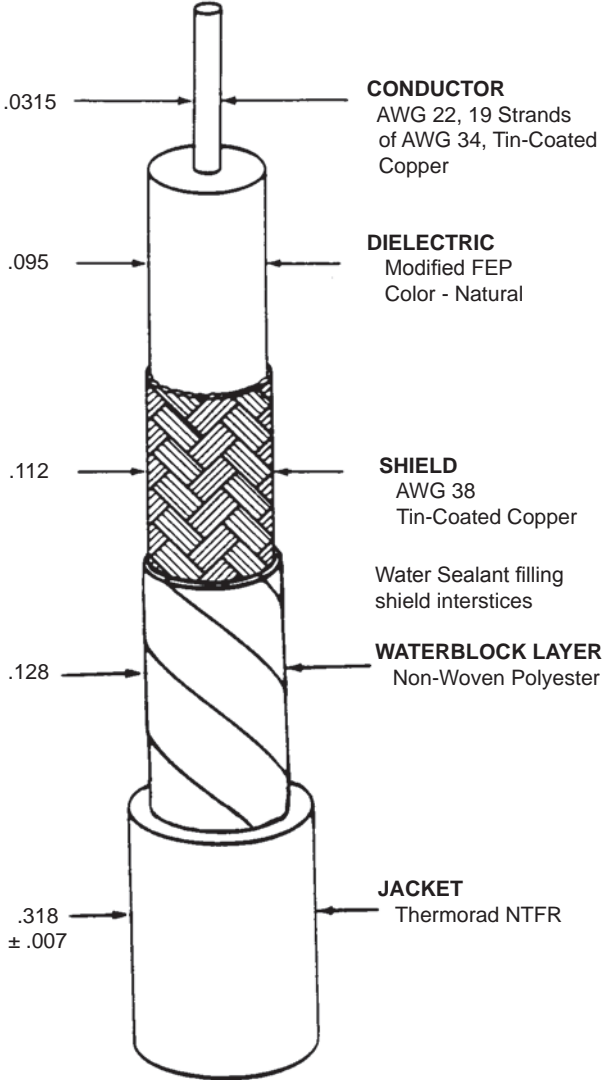


SPECIFICATION CONTROL DRAWING			5022W1041
CHEMINAX	50 OHM, AWG 22, 19 STRANDS OF AWG 34, WATERBLOCKED, COAXIAL CABLE	Date	1-11-10
		Revision	B

THIS SPECIFICATION SHEET FORMS A PART OF THE LATEST ISSUE OF RAYCHEM SPECIFICATION 1200.

CONSTRUCTION DETAILS	ELECTRICAL CHARACTERISTICS
-----------------------------	-----------------------------------

DIMENSIONS ARE NOMINAL VALUES IN INCHES UNLESS OTHERWISE DESIGNATED.



CHARACTERISTIC IMPEDANCE	50 ± 2 ohms, Method A
CAPACITANCE	29.4 pF/ft. (nominal)
VELOCITY OF PROPAGATION	69% (nominal)
VOLTAGE RATING	1400 volts (rms) (minimum)

ADDITIONAL REQUIREMENTS

ELECTRICAL

CONDUCTOR RESISTANCE	15.5 ohms/1000 ft. (nominal)
INSULATION RESISTANCE: DIELECTRIC	10,000 megohms (minimum) for 1000 ft.
JACKET	20 megohms (minimum) for 20 meters
JACKET FLAWS SPARK TEST	1.0 kV (rms)
IMPULSE TEST	6.0 kV (peak)
VOLTAGE WITHSTAND (DIELECTRIC)	5000 volts (rms) (minimum)

PHYSICAL

INSULATION (DIELECTRIC) ELONGATION	150% (minimum)
TENSILE STRENGTH	1000 lbf/in ² (minimum)
JACKET ELONGATION	200% (minimum)
TENSILE STRENGTH	1300 lbf/in ² (minimum)
JACKET THICKNESS	.095 inch (nominal)
SHIELD COVERAGE	90% (minimum)
WATERBLOCKING (test per Raychem Spec 345)	1 inch ³ (maximum)
WRAP	.004 inch thick (nominal)

CABLE IDENTIFICATION: Outer jacket shall be marked in contrasting color at 12 inch (nominal) intervals between marks as follows: "5022W1041 RAYCHEM 06090"

WEIGHT	52.1 lbs/1000 ft. (nominal)
--------	-----------------------------

Outer jacket color will be black (designated by a "-0" appended to the part number, e.g. 5022W1041-0) unless otherwise specified.

Designate outer jacket color with a dash number in accordance with MIL-STD-681. Other codes and suffixes may be added to the part number, as necessary, to capture any additional requirements imposed by the purchase order.

Users should evaluate the suitability of this product for their application. Specifications are subject to change without notice. Tyco Electronics also reserves the right to make changes in materials or processing, which do not affect compliance with any specification, without notification to Buyer.