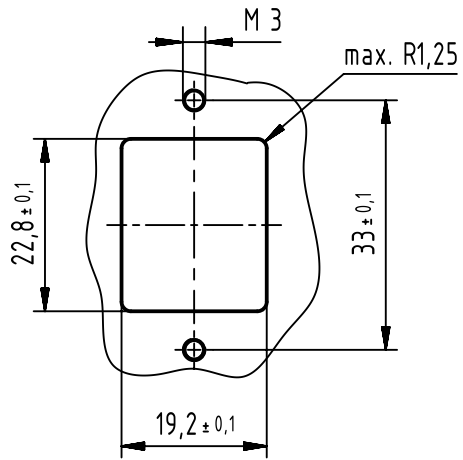
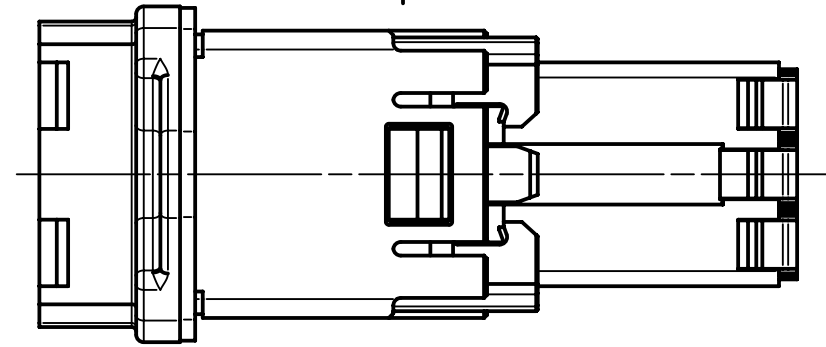
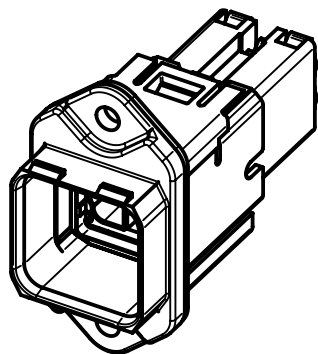


(1:1)

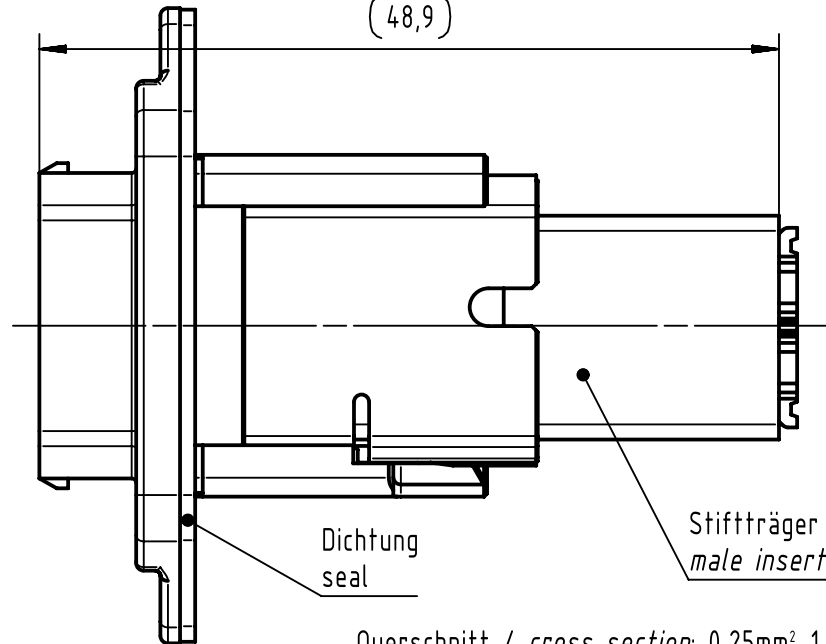
Montageausschnitt
panel cut out



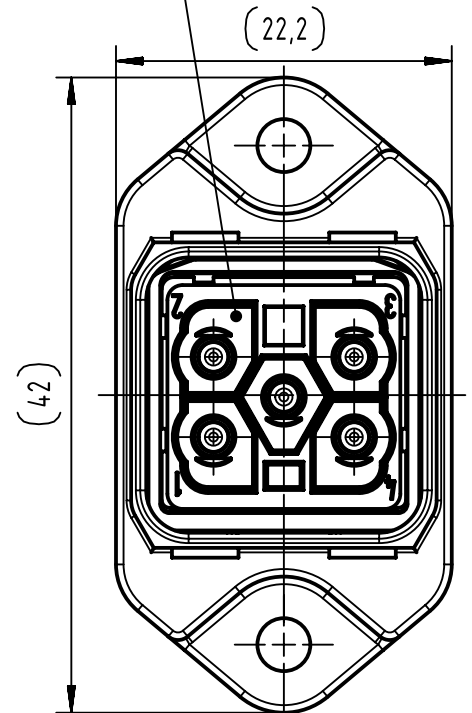
Wandstärke: 1mm bis 6mm
 thickness panel: 1mm to 6mm
 Anzugsmoment: 0,3Nm bis 0,5Nm
 screwing torque: 0.3Nm to 0.5Nm



Steckgesicht nach
 IEC 61076-03-118
 mating face acc to
 IEC 61076-3-118



Querschnitt / cross section: 0,25mm²-1,5mm²



	All Dimensions in mm Original Size DIN A4	Scale	Free size tol.			Ref.
		2:1				Sub. TB 09352340311 500000058722 2013-02-06
	All rights reserved Department EC PD - DE	Created by	Inspected by	Standardisation	Date	State
		ELLERMANN	DAHMS	HOFFMANN	2013-06-12	Final Release
HARTING Electronics GmbH D-32339 Espelkamp		Title				Doc-Key / ECM-Nr. 100228038/UGD/003/C 500000062511
		Han PP Power PFT metal QL AWG23-16				
		Type	Number		Rev.	Page
		TB	09352340311		C	1/1