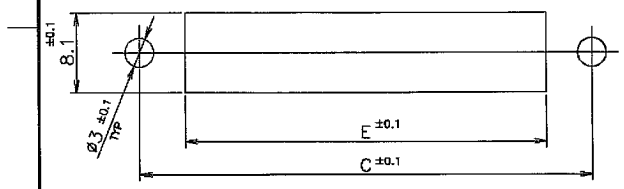
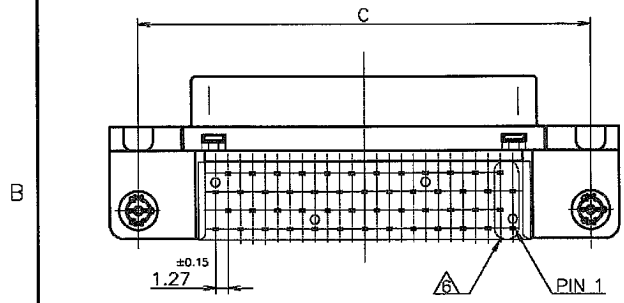
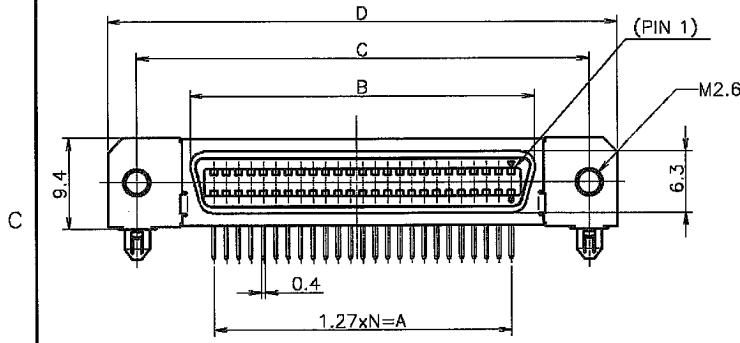
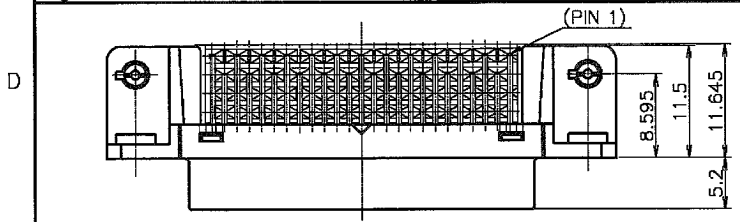
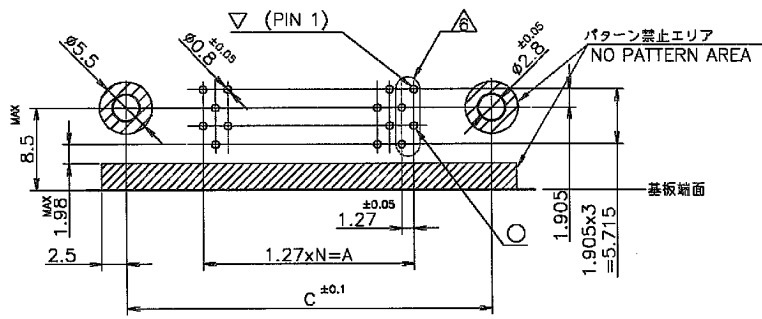
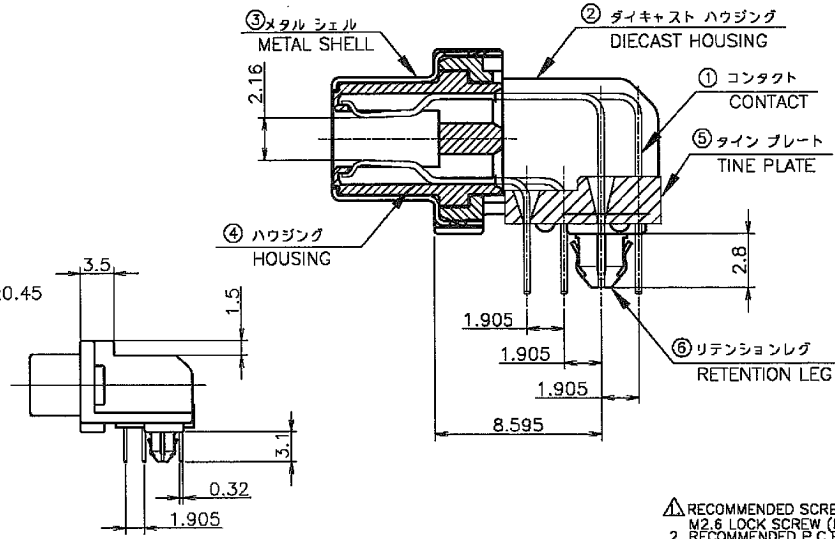


LOC	DIST	REVISONS		
J	-	P	LTR	DESCRIPTION
		A		REVISED ECR-05-017946
			DATE	DWN
			14DEC05	L.Z
				I.E



推奨パネルカット寸法
 RECOMMENDED PANEL CUTOUT
 (厚さ 2mm 最大)
 THK;2mm MAX



推奨基板穴あけ寸法
 RECOMMENDED PC BOARD MOUNTING DIMMENSION
 コネクタ取付面
 COMPONENT SIDE

- △ RECOMMENDED SCREW SIZE:
 M2.6 LOCK SCREW (P/N:179715-1).
 2. RECOMMENDED P.C.BOARD THICKNESS;
 1.6mm (REF.)
 3. CONNECTOR TO BE MATED;175677
 4. INSERTION FORCE OF RETENTION LEG
 TO P.C.B.;2.2kg MAX/CONNECTOR.
 5. RETENTIVITY OF RETENTION LEG TO
 P.C.B.;0.5kg MIN/CONNECTOR.
 △ POST/HOLE PATTERN AS SHOWN ON
 THIS END FOR ALL POSITION.

項目 ITEM	材料及仕上げ MATERIAL & FINISH
①	COPPER ALLOY NICKEL UNDER PLATE ALL OVER. CONTACT AREA:Au PLATING SOLDER TINE AREA, TIN PLATE
②	ZINC NICKEL PLATING
③	STEEL 0.25 NICKEL PLATE OVER COPPER UNDERPLATE
④	THERMO-PLASTIC COLOR:BLACK (UL:94V-0)
⑤	COPPER ALLOY TIN PLATE OVER NICKEL UNDERPLATE

49	68.85	84.15	78.25	67.23	62.23	0.1μ	100	1-5179717-9
39	56.15	71.45	65.55	54.53	49.53	0.1μ	80	1-5179717-8
N	E	D	C	B	A	Au PL.	POS.	PART NO.

THIS DRAWING IS A CONTROLLED DOCUMENT.

DIMENSIONS: 単位: 尺 MM	TOLERANCES UNLESS OTHERWISE SPECIFIED: 一般公差	DWN LED ZHOU 28SEP04	Tyco Electronics AMP K.K. Kawasaki, Japan
	0 PLC ± 0.3 1 PLC ± 0.3 2 PLC ± 0.3 3 PLC ± 0.3 4 PLC ± 0.3 ANGLES ± 3°	CHK STEVEN YAO 28SEP04	
MATERIAL 材料	FINISH 仕上	APVD I. ENOMOTO 28SEP04	NAME 名称
SEE NOTE	SEE NOTE	PRODUCT SPEC 製品規格 188-68043	RECEPTACLE HDR ASSY (3.1mm) RETENTION LEG TYPE STANDARD CHAMP.050 SERIES (II)
		APPLICATION SPEC 取付適用規格	SIZE
		WEIGHT	CAGE CODE
		CUSTOMER DRAWING	DRAWING NO 番号
			5179717
			RESTRICTED TO
			-
			SCALE 尺数
			2:1
			SHEET
			1 OF 1
			REV
			A