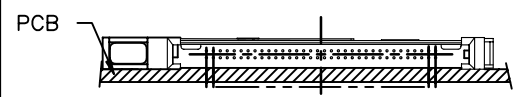
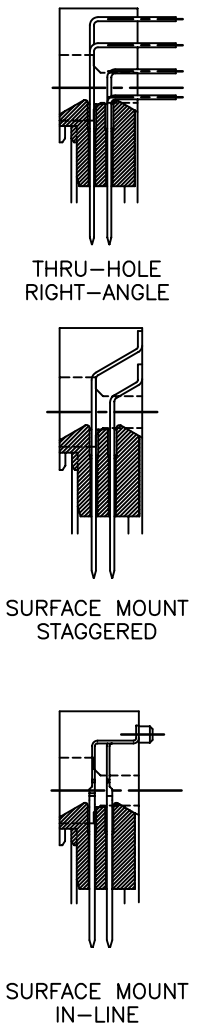
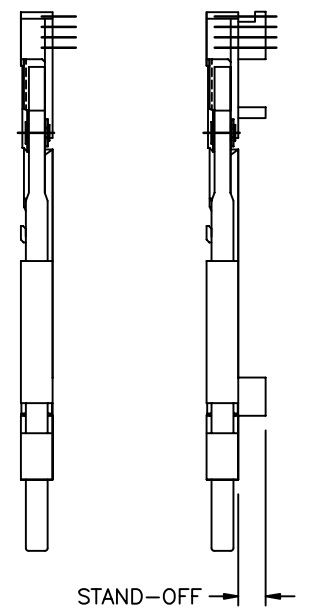
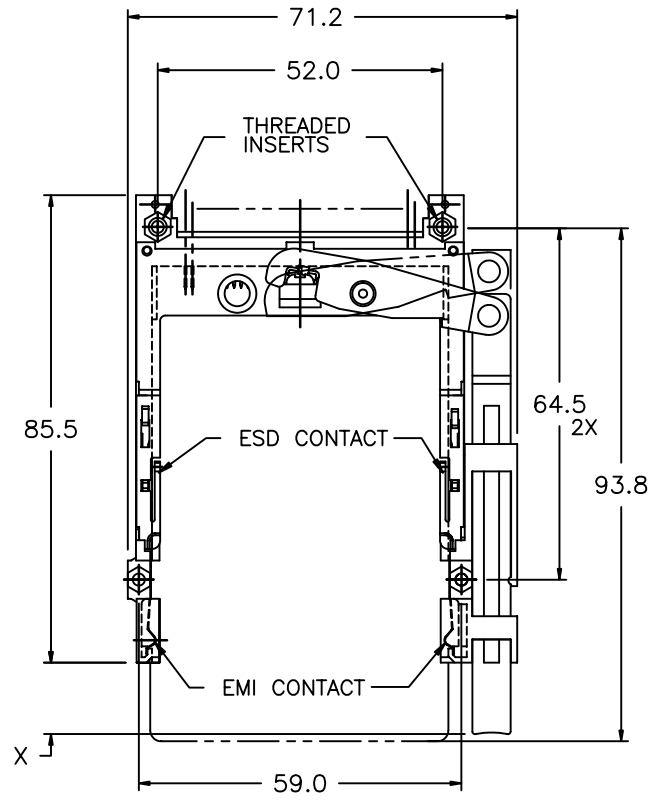
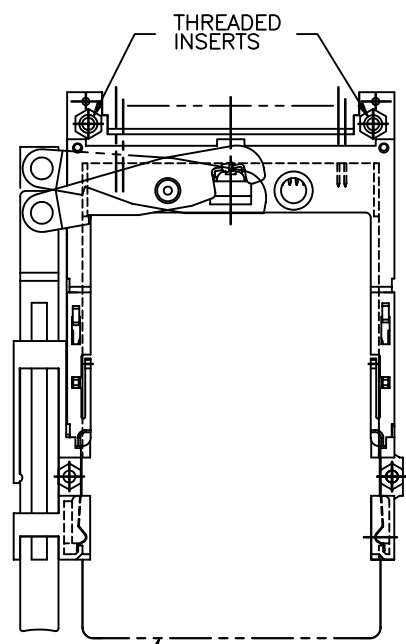


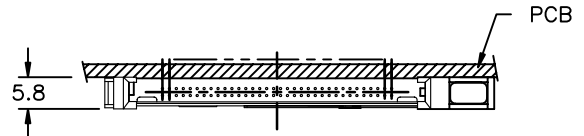
PCMCIA COMPONENTS:
SINGLE DECK ASSEMBLY WITH THREADED INSERTS
IN HEADER HOLD-DOWNS

Tous droits strictement reserves. Reproduction ou communication a des tiers interdite sous quelque forme que ce soit sans autorisation écrite du propriétaire. Propriete de c FCI. Droits de reproduction FCI.

All rights strictly reserved. Reproduction or issue to third parties in any form whatever is not permitted without written authority from the proprietor. Property of FCI. Copyright FCI.



LEFT PUSH ROD
RT. ANGLE SOLDER TAIL
ABOVE PCB SIDE
P/N: 71271-100CA/100CALF



RIGHT PUSH ROD
RT. ANGLE SOLDER TAIL
BELOW PCB SIDE
P/N: 71271-500CA/500CALF

- REFER TO HEADER DRAWING 92856 AND EJECT MECHANISM 92192 FOR ADDITIONAL DIMENSIONS, MATERIAL, AND PLATING INFORMATION.
- REFER TO TA-946 FOR PCB LAYOUT AND PCB KEEP-OUT AREA.
- RECOMMENDED SCREW TORQUE: 1.0 TO 1.5 MAX in-lbs. (1.2-1.7 cm-kgs).

mat'l. code				tolerances unless otherwise specified			CUSTOMER COPY		 Electronics www.fciconnect.com		
ltr	ecn no	dr	date	linear	.X±.3			projection	title		
A	V51047	SAR	8/30/95		.XX±.13				68 POS. EJECT HEADER ASSEMBLY WITH THREADED INSERTS		
B	V60578	RHG	4/6/96	angles	.XXX±.051				product family MCS		
C	V12254	TFG	9/25/01		0° ±2'				size dwg no		
D	N05-0054	WB	03/01/05	dr	S.ROYER	8/30/95	scale 1:1	A4			
				enr	D.BRANN	8/30/95		71271			
				chr	D.BRANN	8/30/95		sheet 1 of 3			
				appd	D.BRANN	8/30/95					
sheet index	revision sheet	D	D								
		1	2								

