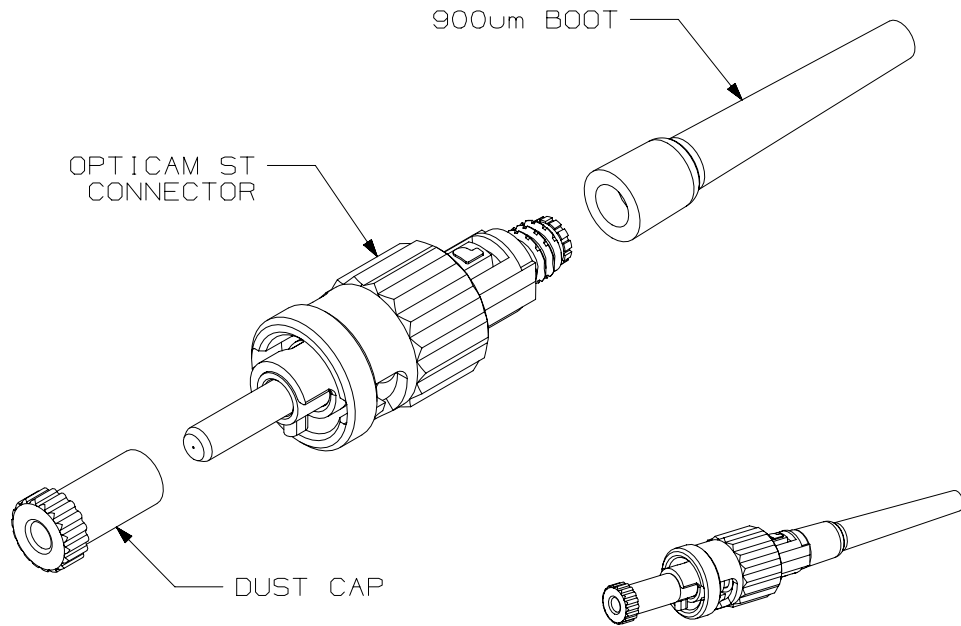
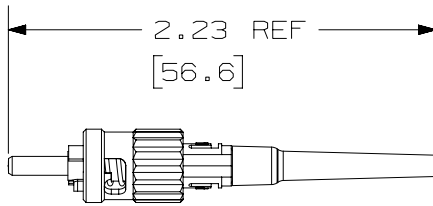


THIS COPY IS PROVIDED ON A RESTRICTED BASIS AND IS NOT TO BE USED IN ANY WAY DETRIMENTAL TO THE INTERESTS OF PANDUIT CORP.



PANDUIT PART NUMBER	FIBER TYPE	FERRULE TYPE
FSTMC5BL	50/125um MULTIMODE	ZIRCONIA
FSTMC6BL	62.5/125um MULTIMODE	ZIRCONIA
FSTMCXAQ	50/125um MULTIMODE	ZIRCONIA
FTSVCBU	9/125um SINGLEMODE	ZIRCONIA
FSTMPC5BL	50/125um MULTIMODE	POLYMER
FSTMPC6BL	62.5/125um MULTIMODE	POLYMER

NOTES:

- SEE CATALOG FOR ADDITIONAL PART NUMBER SUFFIXES TO INDICATE COLOR AND/OR PACKAGE QUANTITY
- ACCEPTS 50/125um, 62.5/125um, 50/125 OM3 MULTIMODE OR 9/125um SINGLEMODE, 900um BUFFERED GLASS OPTICAL FIBER.
- FULLY COMPLIES WITH THE FIBER OPTIC CONNECTOR PERFORMANCE REQUIREMENTS AS SPECIFIED BY TIA/EIA-568-B.3.
- MATERIAL:  
 BODY/HARDWARE: PLASTIC  
 BOOT: THERMOPLASTIC RUBBER  
 FERRULE: ZIRCONIA CERAMIC OR POLYMER
- DIMENSIONS IN [ ] ARE METRIC [ mm ].
- 1.6/2.0mm AND 3.0mm BOOT ASSEMBLIES ARE AVAILABLE SEPARATELY.

PART NUMBER FSTMC5BL, FSTMC6BL, FSTMCXAQ, FTSVCBU, FSTMPC5BL, FSTMPC6BL		<b>PANDUIT</b>						
TITLE <b>OPTICAM ST CONNECTOR</b>								
CUSTOMER DRAWING								
ITEM REVISION NAME M01894AJ/01		DRAWING NUMBER: 01894-17						
DATASET FILE NAME M01894AJ_DC/01C								
UNLESS OTHERWISE SPECIFIED, DIMENSIONAL TOLERANCES ARE: IN [ mm ] .X ± .XXX ± .XX ± ANGLES ±		MATERIAL:						
		THIRD ANGLE PROJECTION						
DRAWN BY MC	DATE 5-25-06	CHK MMW	SCALE NONE					
REV	DATE	BY	CHK	APR	DESCRIPTION	ECN	SHT 1 OF 1	SIZE A

5	6/12/15	JSP	WJM	JGSW	A. REVISED DRAWING TITEL BLOCK.	01894-17
REV	DATE	BY	CHK	APR	DESCRIPTION	ECN

D10100DA/14