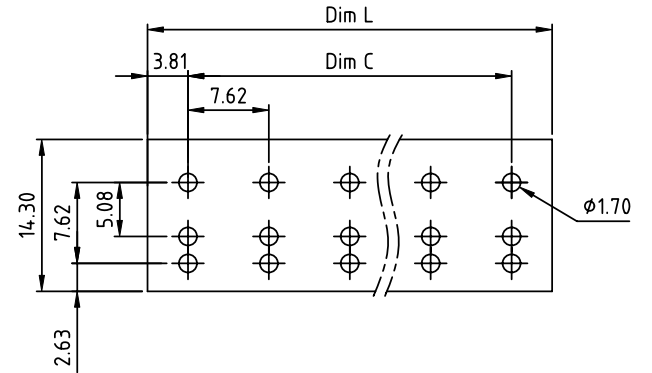
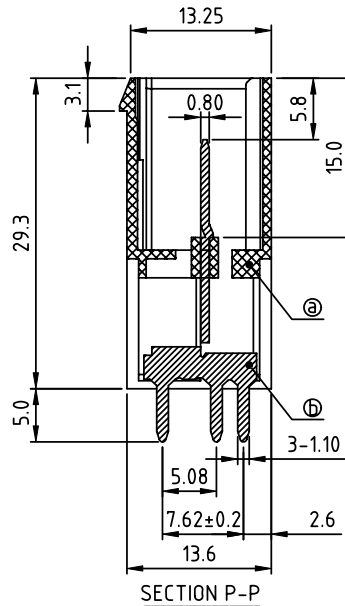
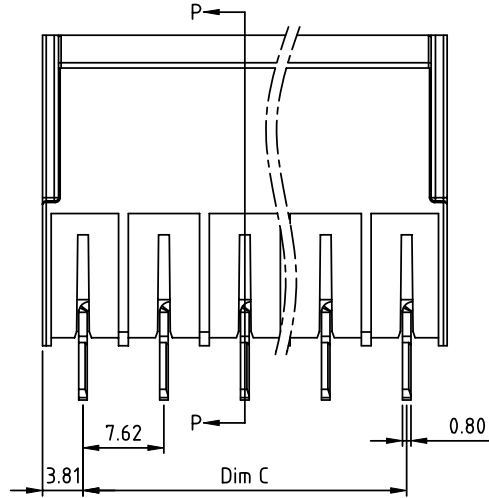
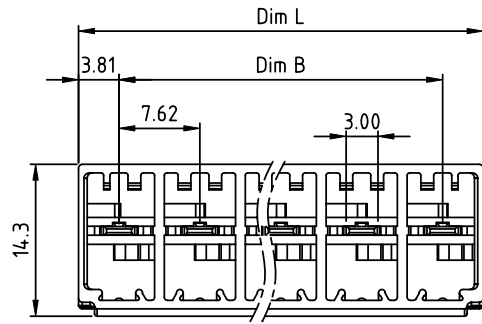


PRODUCT NUMBER	PITCH
VCxx00xA00J0G	7.62 mm



RECOMMENDED P.C.B LAYOUT
TOP VIEW

Material:

- Item ① Terminal(housing):Thermoplastic (UL94V-0)
- Item ② Pin: Copper, Tin plated

Electrical: cULus

- Voltage rating:300V
- Current rating:41A
- Withstanding Voltage:1.6 KV
- Operating temperature:-40°C to +115°C
- Soldering temperature:260°C±5°C/5 Sec
- Safety Approval:

DIMENSION

Dim L	N×7.62
Dim B	(N-1)×7.62
Dim C	(N-1)×7.62

N=Number of poles

Poles	Tolerance
2p-5p	±0.20
6p-12p	±0.30
13p-16p	±0.40

PART NO.: VCxx00xA00J0G

Solid block	Color	RoHS compliant (lead<4% in copper Alloy)
No. of poles	0 Black (RAL9005)	
02 2 poles	2 Red (RAL3001/D)	
03 3 poles	3 Orange(RAL2011/P)	
...	4 Yellow(RAL1018/A)	
...	5 Green(RAL6018/T)	
16 16 poles	6 Blue (RAL5015/A)	
	8 Grey(RAL7035/D)	
	9 White(RAL1102)	
	C Green(RAL6018/U)	

mat'l. code		surface ASME Y14.5	tolerance ASME Y14.5	projection	product family TERMINAL BLOCK
ltr	ecn no	dr	date		title
				tolerances unless otherwise specified	TERMINAL BLOCK
				angles	PLUGGABLE SOCKET,VERTICAL,THREE TAILS TYPE
				φ	scale
				X±0.5	MM
				X.X±0.3	dwg no
				X.XX±0.1	sheet 1 of 1
				dr	size
				ENGR	VCxx00xA00J0G
				CHR	A4
				APPD	type
				SHI JUN	CUSTOMER Drawing
sheet index	revision	A			
	sheet	1			