

4

3

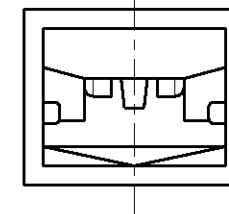
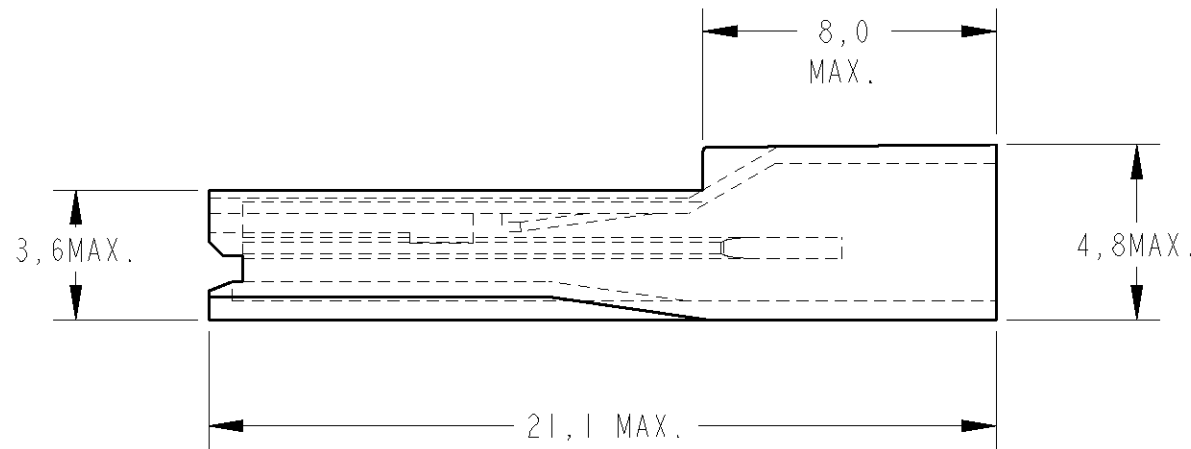
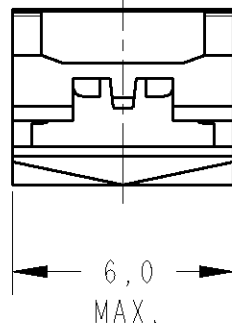
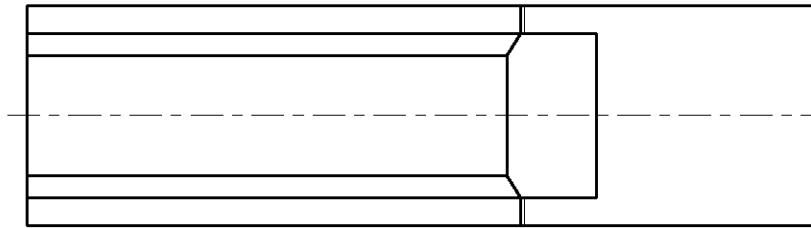
2

1

THIS DRAWING IS UNPUBLISHED. RELEASED FOR PUBLICATION 20  
© COPYRIGHT 20 BY TYCO ELECTRONICS CORPORATION. ALL RIGHTS RESERVED.

LOC	DIST	REVISIONS				
P	LTR	DESCRIPTION	DATE	DWN	APVD	
AP	-					
	DI	REDRAWN BY CAD EC-LE10-0048/04	14JUL2004	MRB	PLF	
	E	REVISED BY LE10-0224/04	09SEP2004	H.C	WLS	
	F	REVISED BY LE10-0051/05	13APR2005	H.C	WLS	

**CAD**  
Pro-E  
DO NOT REVISE  
EXCEPT BY CAD



△-MATÉRIA PRIMA CONFORME ESPECIFICAÇÃO IEC 60335-1, GWT 750°C, SEM CHAMA.  
RAW MATERIAL ACC. TO SPEC. IEC 60335-1, GWT 750°C, WITHOUT FLAME.

	NATURAL	△ PA 6.6 V-0	141628-5
	PRETO/BLACK	PA 6.6 V2 ESTABILIZADO AO CALOR	141628-4
	AMARELO / YELLOW	PA 6.6 94 V2	141628-3
	NATURAL	PA 6.6 94 V2	141628-2
OBSOLETE	NATURAL	PA 6.6 94 V1	141628-1
	FINISH	MATERIAL	PART NUMBER

THIS DRAWING IS A CONTROLLED DOCUMENT FOR TYCO ELECTRONICS CORPORATION IT IS SUBJECT TO CHANGE AND THE CONTROLLING ENGINEERING ORGANIZATION SHOULD BE CONTACTED FOR THE LATEST REVISION.		DWN M.R.BRIZ 09JUN2004	TYCO ELECTRONICS do Brasil LTDA. Sao Paulo, Brasil	
DIMENSIONS: mm		CHK P.L.FARIA 14JUN2004	NAME FASTON RECEPTACLE HSG. .110 SERIES	
TOLERANCES UNLESS OTHERWISE SPECIFIED: 0 PLC ±- 1 PLC ±0.3 2 PLC ±- 3 PLC ±- 4 PLC ±- ANGLES ±- FINISH		APVD H.LIVERARO 14JUN2004		
MATERIAL SEE TABLE		PRODUCT SPEC NA	SIZE A3	CAGE CODE 00779
		APPLICATION SPEC NA	DRAWING NO C-141628	RESTRICTED TO -
		WEIGHT -/-	SCALE 5:1 SHEET 1 OF 1 REV F	
		CUSTOMER DRAWING		