

**FPC/FFC について:**  
 打ち抜き方向は導体側から補強板側を推奨します。  
 導体部については軟銅箔35 $\mu$ mまたは50 $\mu$ mを推奨します。  
**ABOUT FPC/FFC**  
 RECOMMENDED PUNCHER DIRECTION : FROM CONDUCTOR SIDE TO STIFFENER FILM SIDE.  
 RECOMMENDED CONDUCTOR SPEC :  
 THICKNESS OF SOFT COPPER FOIL : 35 MICROMETER OR 50 MICROMETER.

**FPC について:**  
 補強フィルム材質はポリイミドを推奨します。ベースフィルムは25 $\mu$ mを推奨します。  
 接着剤は熱硬化接着剤を推奨します。  
 尚、接着剤の接点部への付着は導通不良の原因になりますので、染み出しが無い様、お願い致します。  
**ABOUT FPC**  
 RECOMMENDED MATERIAL/THICKNESS.  
 STIFFENER FILM : POLYIMIDE  
 BASE FILM THICKNESS : 25 $\mu$ m  
 BONDING AGENT : THERMOSETTING BONDING AGENT  
 PLEASE PUT APPROPRIATE AMOUNT OF ADHESIVE ON THE CONTACT AREA BECAUSE THE EXTRA ADHESIVE MAY CAUSE THE DEFECT IN ELECTRICAL CONTINUITY.

**注記 NOTES**

1. 使用材料 MATERIAL  
 ハウジング : LCP, UL94V-0  
 HOUSING  
 アクチュエータ : PPS, UL94V-0  
 ACTUATOR  
 ターミナル : リン青銅 (t=0.2)、ニッケル下地 鍍ビスマスマッキ  
 TERMINAL PHOSPHOR BRONZE, TIN-BISMUTH OVER NICKEL PLATING.  
 金具 : リン青銅 (t=0.2)、ニッケル下地 鍍メッキ  
 FITTING NAIL PHOSPHOR BRONZE, PURE-TIN OVER NICKEL PLATING.
2. エンボステープ梱包時は、アクチュエータがロックした状態とする。  
 IN THE PACKAGE, ACTUATOR OF PART NO.54548-\*\*19 SHOULD BE LOCKED.
- △ ソルダーテール半田付け面のズレ量、及び金具半田付け面のズレ量は、基準面 Z に対し上方向 0 MAX.、下方向 0.15 MAX. とし  
 相互のバラツキ量は 0.1 MAX. とする。  
 MISALIGNMENT OF SOLDER TAILS AND FITTING NAILS FROM Z  
 UPPER DIRECTION: 0 MAX., LOWER DIRECTION: 0.15 MAX.  
 OFFSET BETWEEN UPPER AND LOWER 0.1 MAX.
- △ 偶数極に適用。  
 APPLY FOR EVEN CIRCUIT.
- △ パターンはくり止め用金具  
 FITTING NAIL FOR PREVENTION OF PEELING  
 OF P.C.B. PATTERN.
- △ R0.3はFPC導体部にかからないこと  
 R0.3 MUST NOT BE OVERLAPPED TO PATTERN OF FPC.
7. N: 極数 N: CIRCUIT.

REVISED EC NO: J2008-4048 DRWN: NABEI 2008/06/13 CHKD: THARUYAMA 2008/06/16 APPR: NUKITA 2008/06/16	DESCRIPTION	GENERAL TOLERANCES (UNLESS SPECIFIED)		DIMENSION STYLE MM ONLY		SCALE ---	DESIGN UNITS METRIC	MODEL No. 54548-**19	THIRD ANGLE PROJECTION
		10 UNDER	±0.2	DRAWN BY Y. WADA	DATE 2004/01/09	TITLE 0.5 FPC CONN ZIF HSG ASSY FOR SMT RA BTM CONT -LEAD FREE-			
		10 OVER 30 UNDER	±0.25	CHECKED BY M. SASAO	DATE 2004/01/09	MOLEX INCORPORATED			
		30 OVER	±0.3	APPROVED BY M. SASAO	DATE 2004/01/09	DOCUMENT NO. SD-54548-037			
		ANGULAR	±3	MATERIAL NO. SEE SHEET 1		SHEET NO. 2 OF 2			
REV		DRAFT WHERE APPLICABLE MUST REMAIN WITHIN DIMENSIONS		THIS DRAWING CONTAINS INFORMATION THAT IS PROPRIETARY TO MOLEX INCORPORATED AND SHOULD NOT BE USED WITHOUT WRITTEN PERMISSION					

10

9

8

7

6

5

4

3

2

1

F

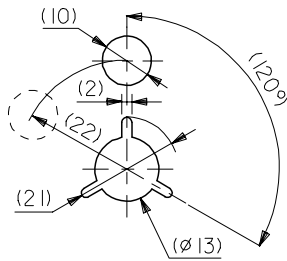
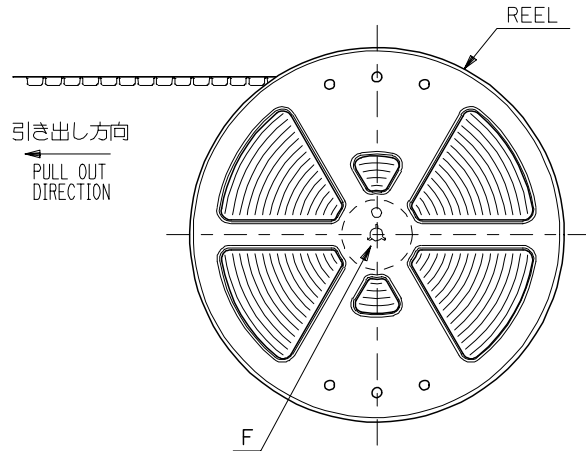
E

D

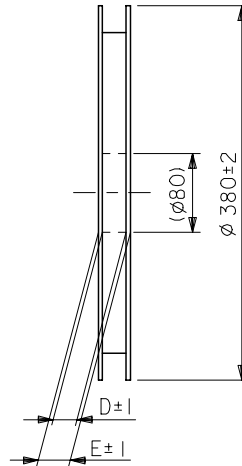
C

B

A

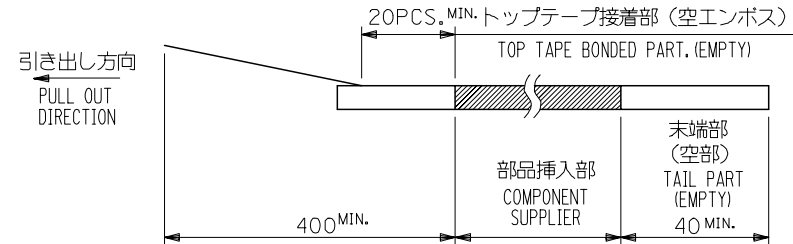


DETAIL F

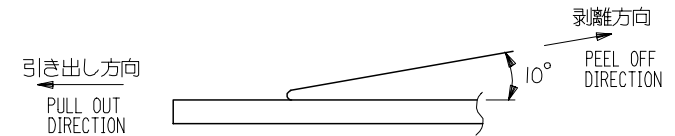


## NOTES

- 製品詳細寸法については図面 SD-54548-037 を参照下さい。  
RE DETAILED DIMENSION, SEE SD-54548-037.
- 梱包数量：3000個/リール  
NUMBER OF CONNECTORS : 3000PCS/REEL
- リードテープ長さ LEAD TAPE LENGTH



- トップテープの剥離強度：0.1N ~ 1.3N { 10gf ~ 130gf }  
(剥離方向は下図参照)  
尚、本規格値は出荷時に適用。(但し、輸送時に剥離が発生しないこと。)  
PEELING OFF FORCE OF TOP TAPE : 0.1N ~ 1.3N (10gf ~ 130gf)  
(PEELING DIRECTION AS SHOWN IN FOLLOWING FIG.)  
THIS REQUIREMENT SHOULD BE APPLIED AT SHIPMENT.  
PEEL OFF SHOULD NOT BE ALLOWED , DURING TRANSPORTATION.



- 材料 (MATERIAL)  
キャリアテープ (CARRIER TAPE) : ポリプロピレン (POLYPROPYLENE)  
トップテープ (TOPTAPE) : PET , PE , PEF  
リール (REEL) : ポリスチレン (PS) <リサイクル材を含む>  
POLYSTYRENE (PS) <RECYCLE MATERIAL CONTAINED>
- 本製品は54548-\*\*-90の鉛フリー品である。  
THIS PRODUCT IS LEAD FREE OF 54548-\*\*-90.

REVISED EC NO: J2005-2516 DRAWN: NABEI 2005/02/28 CHKD: KTOYODA 2005/02/28 APPR: NUKITA 2005/03/07	GENERAL TOLERANCES (UNLESS SPECIFIED)		DIMENSION STYLE MM ONLY		54548-**-70	MODEL NO.
	10 UNDER	±0.2	DRAWN BY Y. WADA	DATE 2004/01/09	SCALE ---	DESIGN UNITS METRIC
	10 OVER 30 UNDER	±0.25	CHECKED BY M. SASAO	DATE 2004/01/09	THIRD ANGLE PROJECTION	
	30 OVER	±0.3	APPROVED BY M. SASAO	DATE 2004/01/09	TITLE EMBSTP PKG FOR 0.5 FPC CONN ZIF HSG ASSY -LEAD FREE-	
	ANGULAR ±3 °	DRAFT WHERE APPLICABLE MUST REMAIN WITHIN DIMENSIONS		MATERIAL NO. SEE CHART	MOLEX INCORPORATED	
		SIZE A3		DOCUMENT NO. SD-54548-038		SHEET NO. 1 OF 4

9

8

7

6

5

4

3

2

10 9 8 7 6 5 4 3 2 1

F

E

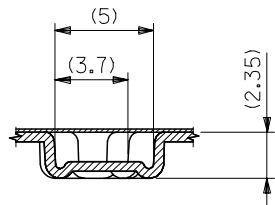
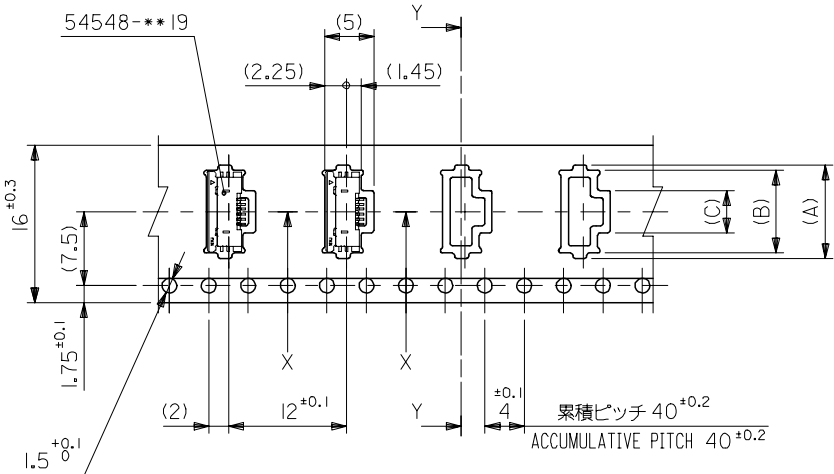
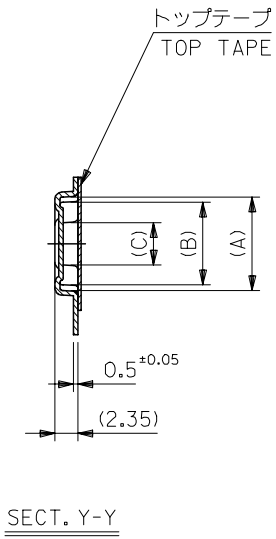
D

C

B

A

引き出し方向  
PULL OUT DIRECTION



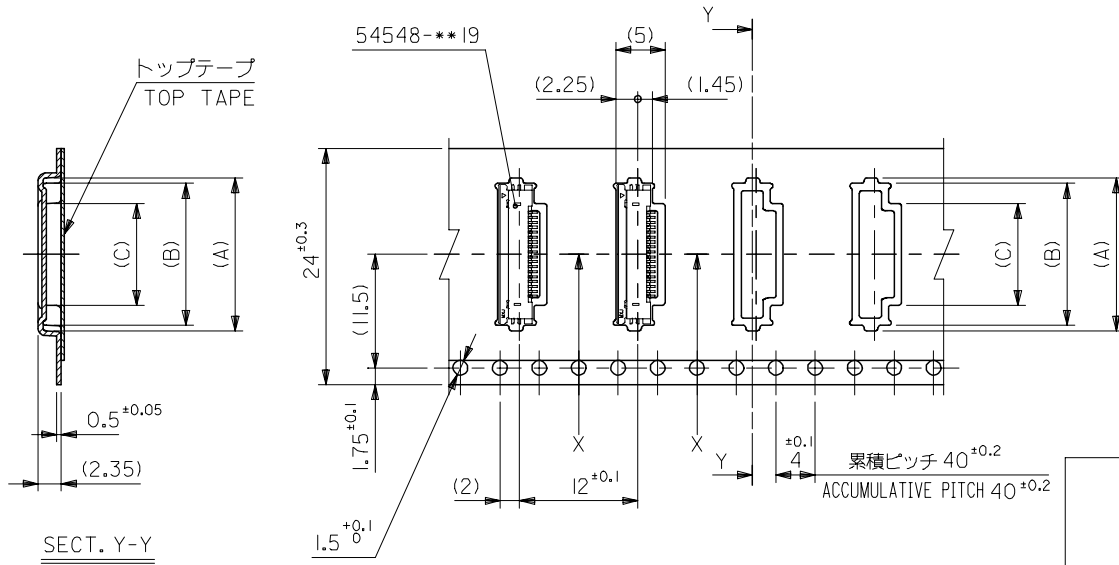
16mm幅キャリアテープ  
16mm WIDTH CARRIER TAPE

16	21.4	17.4	4.3	8.4	9.5	54548-0670	6
			3.8	7.9	9	54548-0570	5
			3.3	7.4	8.5	54548-0470	4
キャリアテープ幅 CARRIER TAPE WIDTH	E	D	(C)	(B)	(A)	製品番号 MATERIAL No.	極数 CIRCUIT

REVISED EC No: J2005-2516 2005/02/28 DRAWN: NABEI 2005/02/28 CHKD: KTOYODA 2005/03/07 APPR: NUKITA	GENERAL TOLERANCES (UNLESS SPECIFIED)		DIMENSION STYLE MM ONLY		SCALE 2:1	DESIGN UNITS METRIC	THIRD ANGLE PROJECTION	
	10 UNDER	±0.2	DRAWN BY Y. WADA		DATE 2004/01/09		TITLE EMBSTP PKG FOR 0.5 FPC CONN ZIF HSG ASSY -LEAD FREE-	
	10 OVER 30 UNDER	±0.25	CHECKED BY M. SASAO		DATE 2004/01/09		MOLEX INCORPORATED	
	30 OVER	±0.3	APPROVED BY M. SASAO		DATE 2004/01/09		DOCUMENT NO. SD-54548-038	
	ANGULAR	±3 °	MATERIAL NO. SEE CHART		SHEET NO. 2 OF 4		THIS DRAWING CONTAINS INFORMATION THAT IS PROPRIETARY TO MOLEX INCORPORATED AND SHOULD NOT BE USED WITHOUT WRITTEN PERMISSION	
DRAFT WHERE APPLICABLE MUST REMAIN WITHIN DIMENSIONS		SIZE A3						

10 9 8 7 6 5 4 3 2 1

引き出し方向  
PULL OUT DIRECTION



24mm幅キャリアテープ  
24mm WIDTH CARRIER TAPE

24	29.4	25.4	12.3	16.4	17.5	54548-2270	22
			11.8	15.9	17	54548-2170	21
			11.3	15.4	16.5	54548-2070	20
			10.8	14.9	16	54548-1970	19
			10.3	14.4	15.5	54548-1870	18
			9.8	13.9	15	54548-1770	17
			9.3	13.4	14.5	54548-1670	16
			8.8	12.9	14	54548-1570	15
			8.3	12.4	13.5	54548-1470	14
			7.8	11.9	13	54548-1370	13
			7.3	11.4	12.5	54548-1270	12
			6.8	10.9	12	54548-1170	11
			6.3	10.4	11.5	54548-1070	10
			5.8	9.9	11	54548-0970	9
5.3	9.4	10.5	54548-0870	8			
4.8	8.9	10	54548-0770	7			
キャリアテープ幅 CARRIER TAPE WIDTH			(C)	(B)	(A)	製品番号 MATERIAL No.	極数 CIRCUIT

REVISED EC No: J2005-2516 2005/02/28 DRWN: NABEI 2005/02/28 CHKD: KTOYODA 2005/03/07 APPR: NUKITA	GENERAL TOLERANCES (UNLESS SPECIFIED)		DIMENSION STYLE MM ONLY		SCALE 2:1	DESIGN UNITS METRIC	THIRD ANGLE PROJECTION
	10 UNDER	±0.2	DRAWN BY Y. WADA		DATE 2004/01/09		
	10 OVER 30 UNDER	±0.25	CHECKED BY M. SASAO		DATE 2004/01/09		
	30 OVER	±0.3	APPROVED BY M. SASAO		DATE 2004/01/09		
	ANGULAR	±3 °	MATERIAL NO.		DOCUMENT NO.		
DRAFT WHERE APPLICABLE MUST REMAIN WITHIN DIMENSIONS		SEE CHART		SD-54548-038		SHEET NO. 3 OF 4	
THIS DRAWING CONTAINS INFORMATION THAT IS PROPRIETARY TO MOLEX INCORPORATED AND SHOULD NOT BE USED WITHOUT WRITTEN PERMISSION							

54548-\*\*-70 MODEL NO.

EMBSTP PKG FOR 0.5 FPC  
CONN ZIF HSG ASSY  
-LEAD FREE-

MOLEX MOLEX INCORPORATED

10 9 8 7 6 5 4 3 2 1

F

E

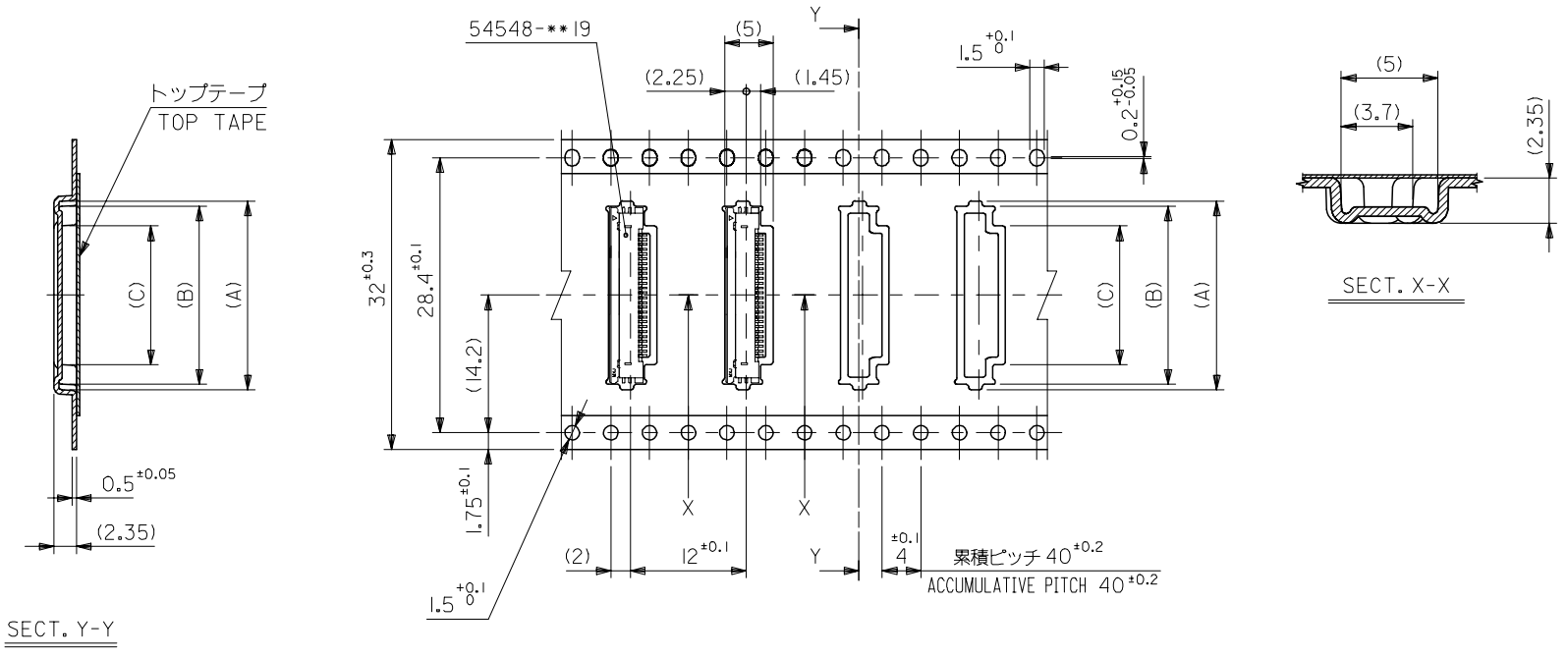
D

C

B

A

引き出し方向  
PULL OUT DIRECTION



32mm幅キャリアテープ  
32mm WIDTH CARRIER TAPE

32	37.4	33.4	14.3	18.4	19.5	54548-2670	26
キャリアテープ幅 CARRIER TAPE WIDTH	E	D	(C)	(B)	(A)	54548-2470	24
						製品番号 MATERIAL No.	極数 CIRCUIT

REVISED EC NO: J2005-2516 DRAWN: NABEI 2005/02/28 CHKD: KTOYODA 2005/02/28 APPR: NUKITA 2005/03/07	GENERAL TOLERANCES (UNLESS SPECIFIED)		DIMENSION STYLE MM ONLY		SCALE 2:1	DESIGN UNITS METRIC	THIRD ANGLE PROJECTION
	10 UNDER	±0.2	DRAWN BY Y. WADA	DATE 2004/01/09	TITLE EMBSTP PKG FOR 0.5 FPC CONN ZIF HSG ASSY -LEAD FREE- MOLEX INCORPORATED		
	10 OVER 30 UNDER	±0.25	CHECKED BY M. SASAO	DATE 2004/01/09			
	30 OVER	±0.3	APPROVED BY M. SASAO	DATE 2004/01/09			
ANGULAR ±3 °		DRAFT WHERE APPLICABLE MUST REMAIN WITHIN DIMENSIONS		MATERIAL NO. SEE CHART		DOCUMENT NO. SD-54548-038	SHEET NO. 4 OF 4
THIS DRAWING CONTAINS INFORMATION THAT IS PROPRIETARY TO MOLEX INCORPORATED AND SHOULD NOT BE USED WITHOUT WRITTEN PERMISSION							