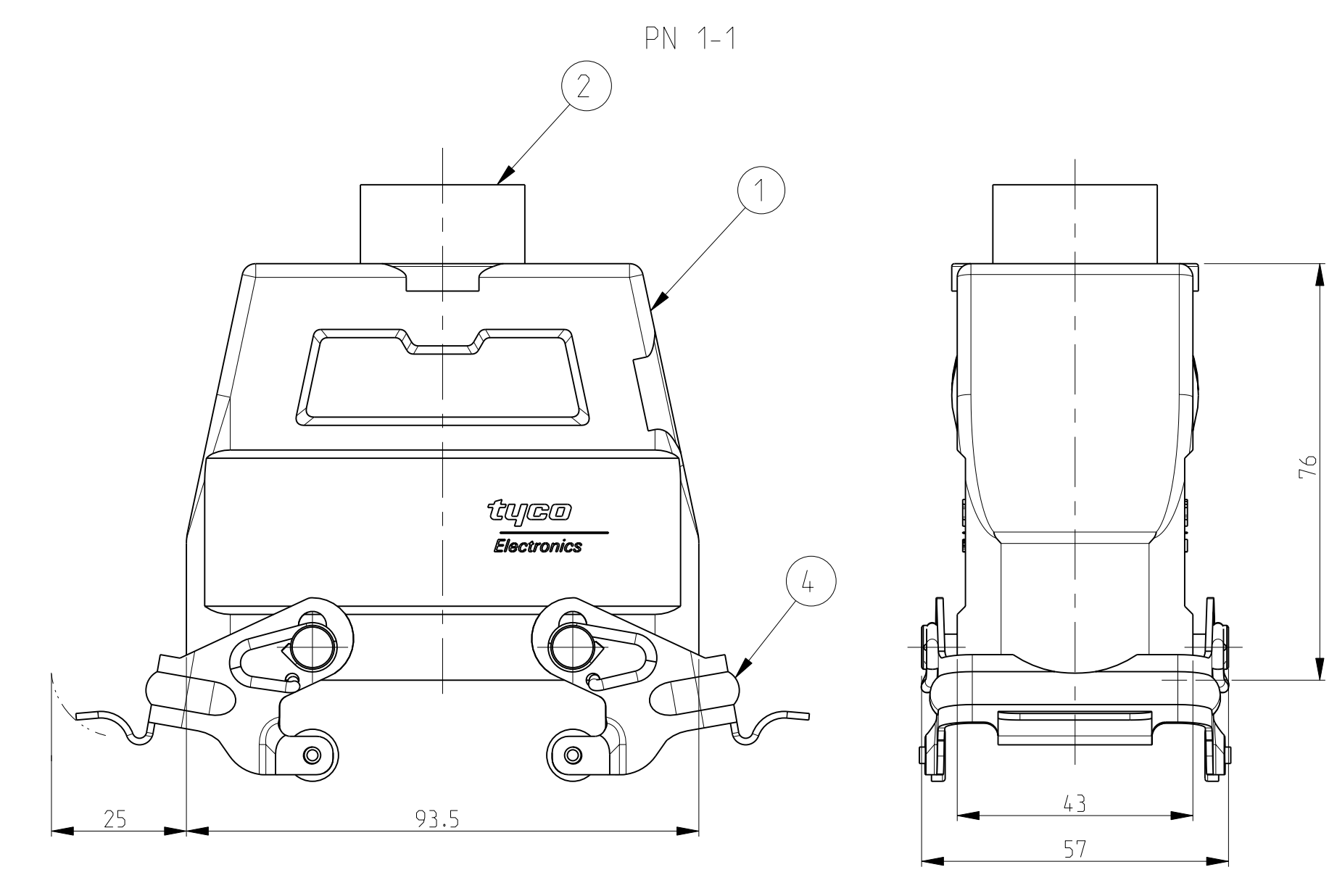
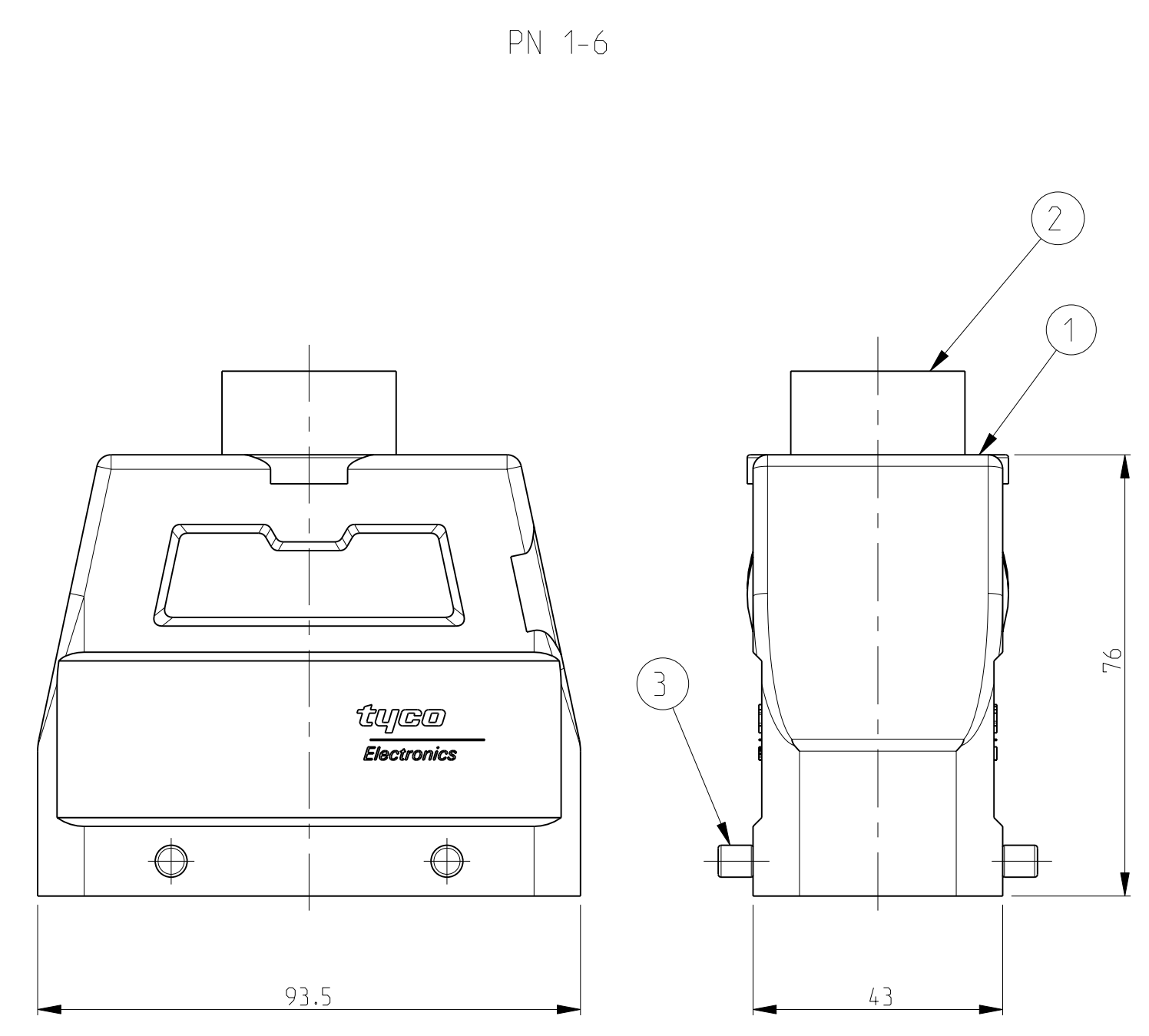
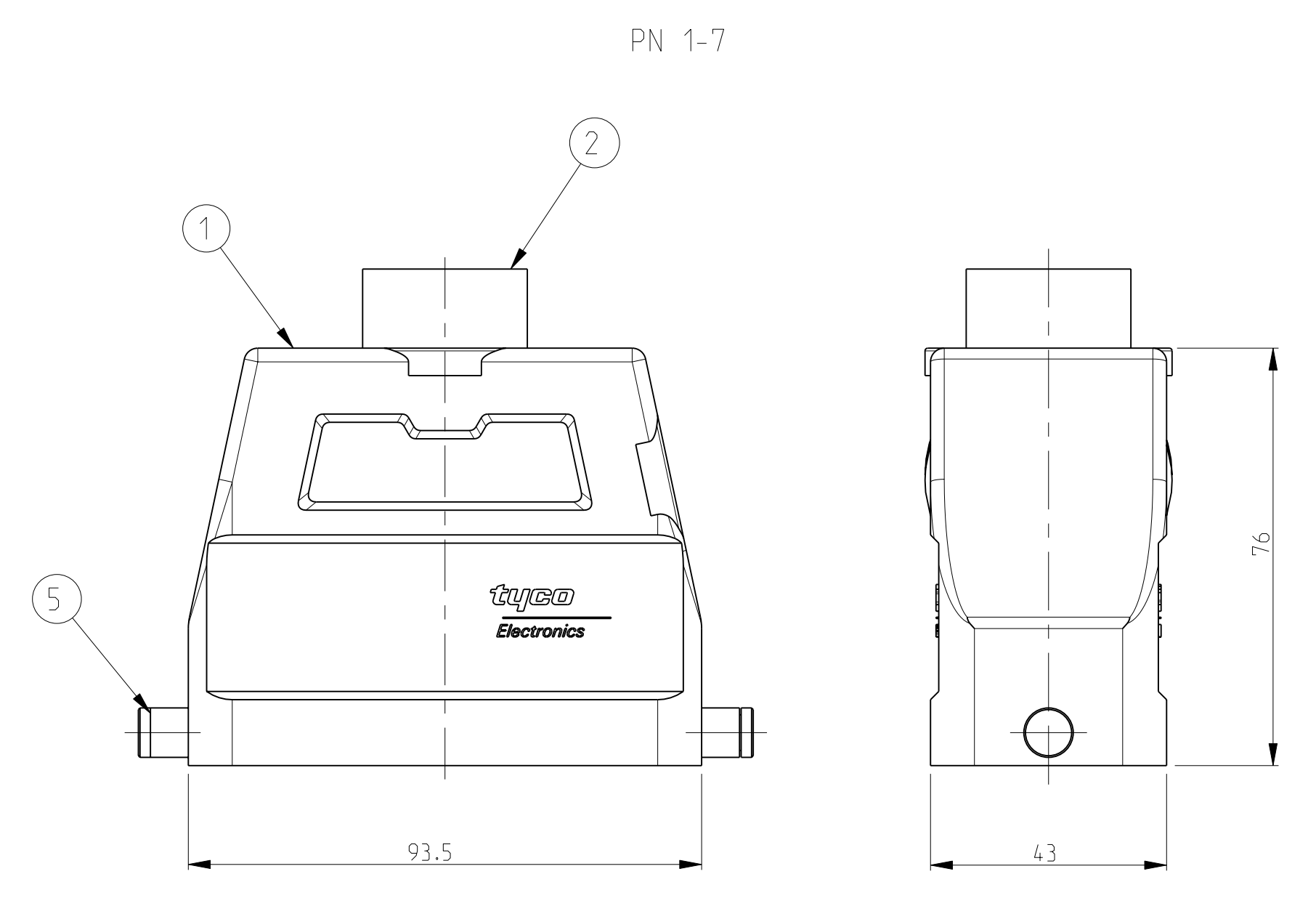
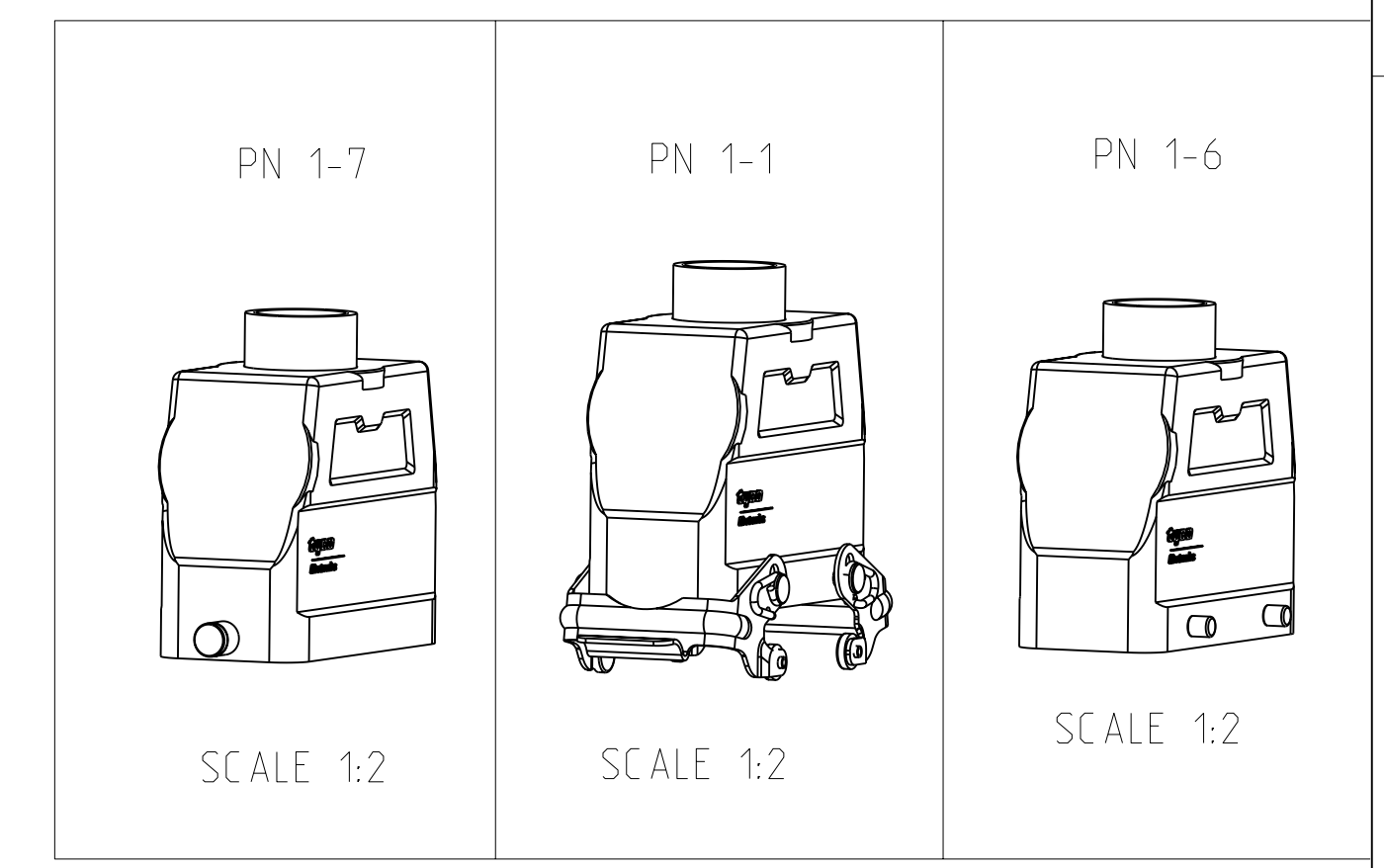


LOC	DIST	REVISIONS			
P	LTB	DESCRIPTION	DATE	DWN	APVD
A1	-	Released as per ECR-07-012890	06-07-07	SK	TS



- NOTES
- 1 Material: Housing: aluminium diecasting alloy
  - 2 Surface:- varnish grey
  - 3 Varnish on the inside not necessary
  - 4 Packaging quantity 5 piece



OBSOLETE

QTY	DESCRIPTION	MATERIAL	SURFACE	COLOR	ITEM NO	NOTES
-	-	-	-	-	-	-
2	ZB-Side clip	Steel	Zinc plated	Blue	6	-
-	LB-Clip bolt	Steel	Zinc plated	Blue	5	-
-	VS-Side clip	Steel	Zinc plated	Blue	4	-
-	VS-Clip bolt	Steel	Zinc plated	Blue	3	-
1	Adapter Pg21	Brass	Nickel plated	Blue	2	-
1	Hood HD.40	Aluminium	-	Grey	1	-

QTY	DESCRIPTION	MATERIAL	SURFACE	COLOR	ITEM NO	NOTES			
0	1-7	1-1	1-6	DESCRIPTION	MATERIAL	SURFACE	COLOR	ITEM NO	NOTES
ORDERING TEXT									
HD.40.STO.1.21.Z									
HD.40.STO-VS.1.21.Z									
HD.40.STO-GR.1.21.Z									
HD.40.STO-ZB.1.21.Z									

DIMENSIONS: mm		TOLERANCES UNLESS OTHERWISE SPECIFIED:		DWN: Schneider 19.11.02		NAME: Hood HD.40.STO.1.21.Z	
		0 PLG ± 1 PLG ± 2 PLG ± 3 PLG ± 4 PLG ± ANGLES ± FINISH ±		CHK: Schweiher 19.11.02 APVD: -		Tyco Electronics Tyco Electronics, AMP GmbH 0-53819, Neunkirchen, Germany	
MATERIAL:		FINISH:		PRODUCT SPEC:		SIZE: A   00779 C=1102569	
				APPLICATION SPEC:		RESTRICTED TO:	
				WEIGHT:		SCALE: 1:1 SHEET: 1 OF 1 REV: A3	
				CUSTOMER DRAW ING:			