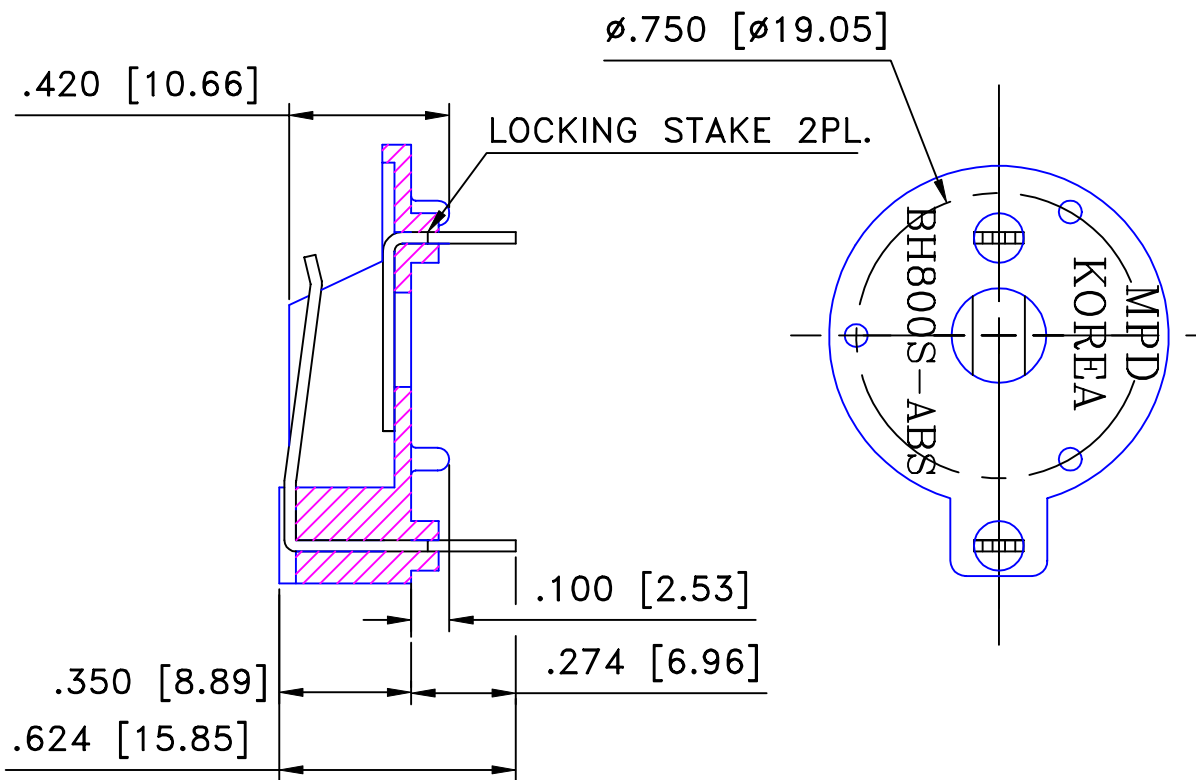
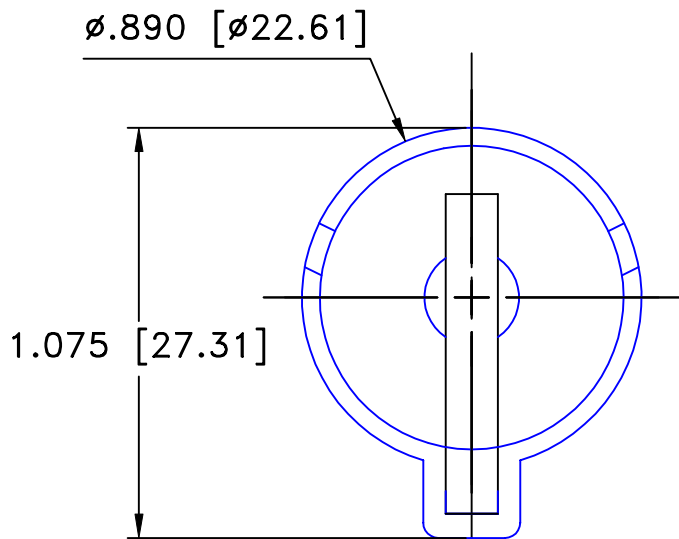
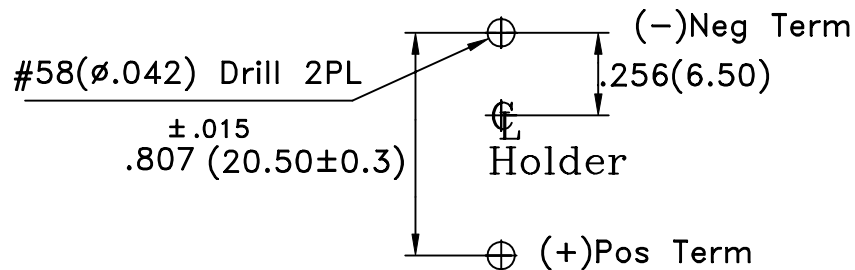



PCB LATOUT

| Date | SYM | REVISION RECORD | AUTH | DR. | CK. |
|------|-----|-----------------|------|-----|-----|
| | | | | | |
| | | | | | |



SPECIFICATIONS

- *Holder material-High Strength, Black ABS
- *Flammability rating-UL94HB, File No.E67171(M)
- *Contacts-SK5 spring steel, Nickel Plated 0.0002" thick
- *Vicat Softening Temp. 96° C per test method D-1525
- *Heat Deflection Temp. 89° C per test method D-648 unannealed 18.5kg/cm, 1/2"

| | | | |
|--------------------------------|---|------------------|--|
| Tolerance (Except as noted) |  Memory protection Devices, Inc 200 Broad Hollow Road, Farmingdale, New York 11735 | | |
| decimal | Scale | Drawn By B.S. | |
| ±.5 (.020) | 4=1 | Approved By T.B. | |
| Fractional | Title | | |
| ± .8 (.030) | CR/BR 2025/2032 TWO COIN BATTERY | | |
| Angular | Date | Drawing Number | |
| ± 3° | 10/20/01 | BH800S-ABS | |