

## 1. Scope

The present specifications shall apply to Sanken silicon rectifier diode, AM01A.

## 2. Outline

Type	Silicon Rectifier Diode (Mesa Type)
Structure	Resin Molded
Applications	Commercial Frequency Rectification, etc.

## 3. Flammability

UL94V-0 (equipment)

## 4. Absolute maximum ratings

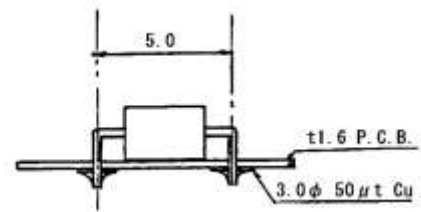
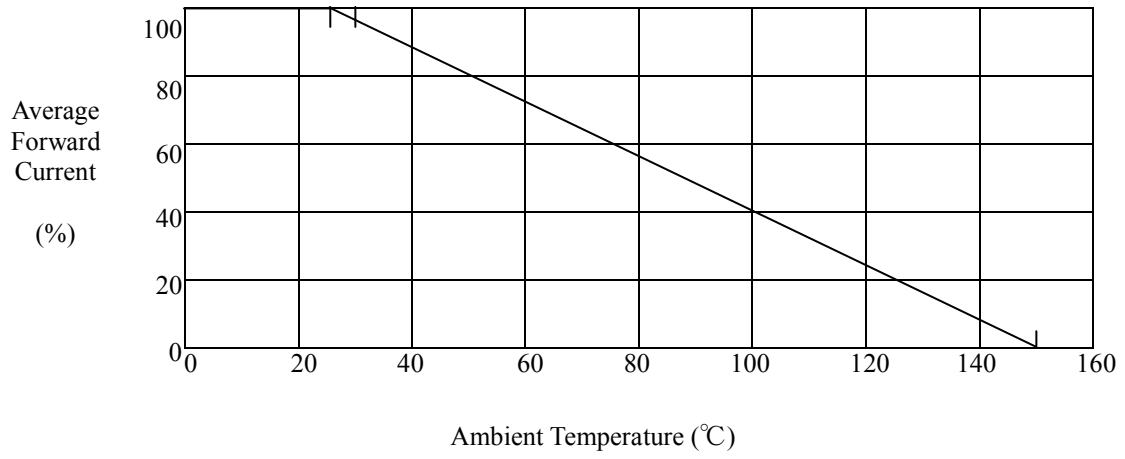
No.	Item	Symbol	Unit	Rating	Conditions
1	Transient Peak Reverse Voltage	$V_{RSM}$	V	650	
2	Peak Reverse Voltage	$V_{RM}$	V	600	
3	Average Forward Current	$I_{F(AV)}$	A	1.0	Refer to 6
4	Peak Surge Forward Current	$I_{FSM}$	A	35	Sinewave, one shot
5	Junction Temperature	$T_j$	°C	-40~+150	
6	Storage Temperature	$T_{stg}$	°C	-40~+150	

## 5. Electrical characteristics

No.	Item	Symbol	Unit	Value	Conditions
1	Forward Voltage Drop	$V_F$	V	0.98 max.	$I_F = 1.0A$
2	Reverse Leakage Current	$I_R$	$\mu A$	10 max.	$V_R = V_{RM}$
3	Reverse Leakage Current Under High Temperature	$HI_R$	$\mu A$	50 max.	$V_R = V_{RM}$ , $T_a = 100^\circ C$
4	Thermal Resistance	$\theta_{j-l}$	°C/W	22	Between Junction and Lead

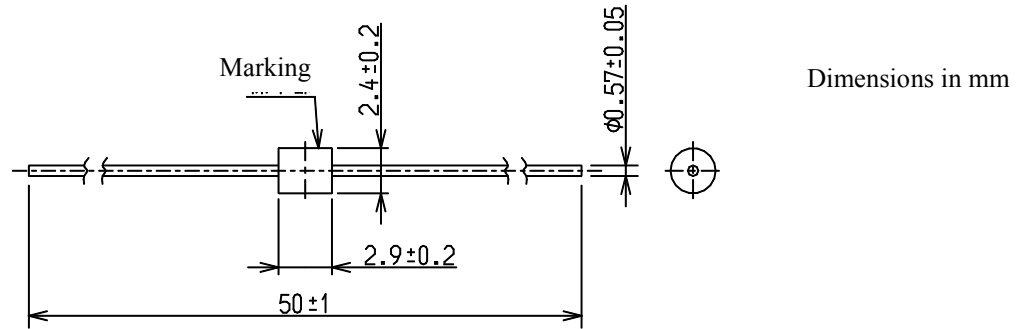
6. Derating

Deratings to the ambient temperature  
 Power loss generated by voltage is not taken into consideration.



## 7. Package information

## 7.1 Dimensions



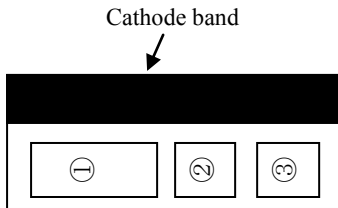
- ※1 The allowance position of Body against the center of whole lead wire is 0.5mm(max.)
- ※2 The centric allowance of lead wire against center of physical body is 0.2mm(max.)
- ※3 The burr may exit up to 2mm from the body of lead.
- ※4 Whole lead wire is  $62.0^{+1.0}$ , with 52mm taping.

## 7.2 Appearance

The body shall be clean and shall not bear any stain, rust or flaw.  
The color of the case will be black.

## 7.3 Marking Type number

- ① Type number : AM01 is abbreviated as M
- ②  $V_{RM}$  rank    A : 600V  
                          A : 600V
- ③ Lot number  
    First digit : Last digit of Year  
    Second digit : Month  
            From 1 to 9 for Jan. to Sep.  
            O for Oct., N for Nov., and D for Dec.



The type No., VRM rank and lot number are to be marked in White.