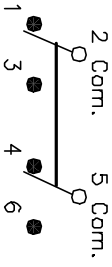


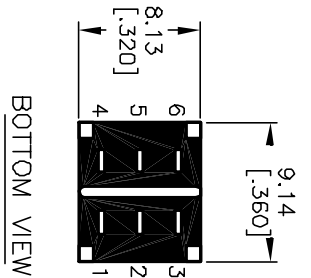
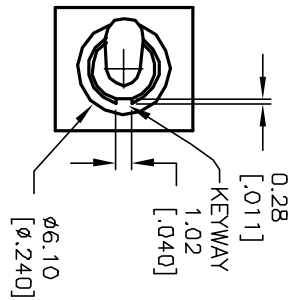
SWITCH FUNCTION		
POS. 1	POS. 2	POS. 3
ON	NONE	ON
2-3,5-6	OPEN	2-1,5-4



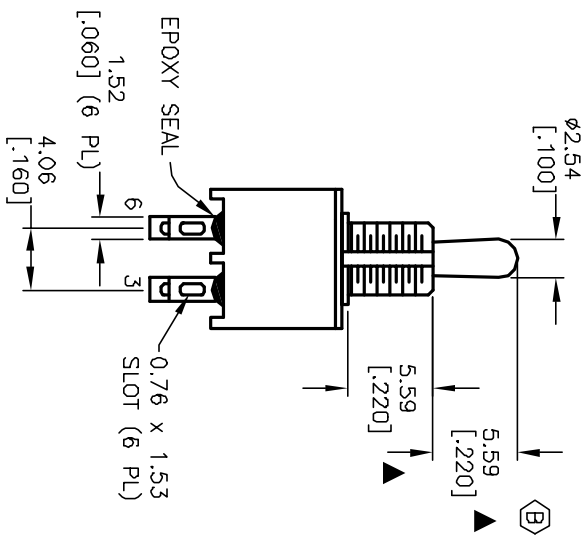
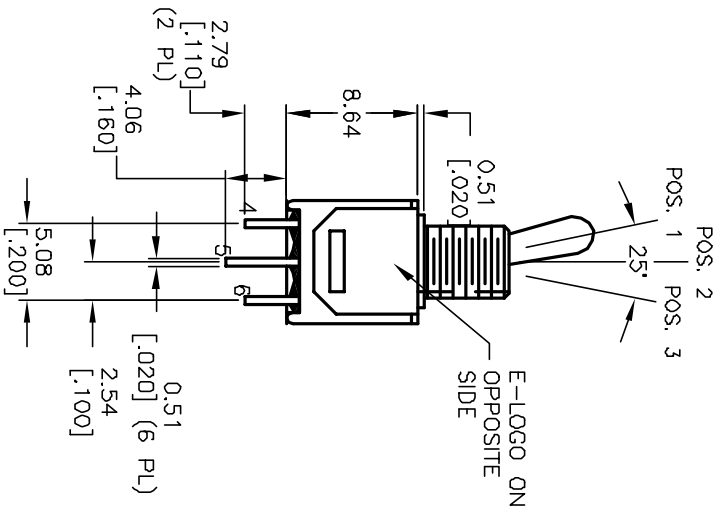
CIRCUIT: DPDT

NOTES:

1. ALL DIMENSIONS IN MM
2. GENERAL TOLERANCE: X.X=±0.4  
X.XX=±0.25
3. TERMINAL NUMBERS FOR REF ONLY
4. RATING: 0.4(VA) @20V max. (ACor DC)
5. CONTACT MATERIAL:  
Copper Alloy w/SILVER plate.
6. ELECTRICAL LIFE: 30,000 make-and-break cycles at full load.
7. INSULATION RESISTANCE: 1,000 Mega-ohm min.
8. DIELECTRIC STRENGTH: 1,000 V RMS @sea level.
9. CONTACT RESISTANCE: 20mILLI-Ohms max. Typical Initial @2-4VDC
10. OPERATING TEMP.: -30°C to 85°C
11. ▲ DENOTES CRITICAL PARAMETER.



BOTTOM VIEW



**E-SWITCH**®

TITLE

200MDP1T5B7M1RE

<b>B</b>	<b>13094</b>	<b>5.59 WAS 6.86</b>	<b>4/29/03</b>	<b>AR</b>
<b>A</b>	<b>13040</b>	<b>RELEASED FOR PRODUCTION</b>	<b>4/14/03</b>	<b>AR</b>
<b>REV.</b>	<b>ECN No.</b>	<b>DESCRIPTION</b>	<b>DATE</b>	<b>CHKD</b>

THE INFORMATION CONTAINED IN THIS DOCUMENT IS PROPRIETARY TO E-SWITCH AND IS NOT TO BE COPIED OR TRANSFERRED

SCALE

2:1

DATE

4/14/03

DR

AR

DWG

T221019

REV

B