

φ 150mm

# San Ace C150



## General Specifications

- Material ..... Motor case: Aluminum,  
Impeller: Plastics (Flammability: UL94V-0)
- Expected Life ..... Refer to specifications (L10:Survival rate: 90% at 60°C ,  
rated voltage, and continuously run in a free air state)
- Lead Wire ..... ⊕red ⊖black (Sensor) yellow (Control) brown
- Storage Temperature ..... -30°C to +70°C (Non-condensing)

φ 150mm × 35mm (Mass : 330g) **9TN type**

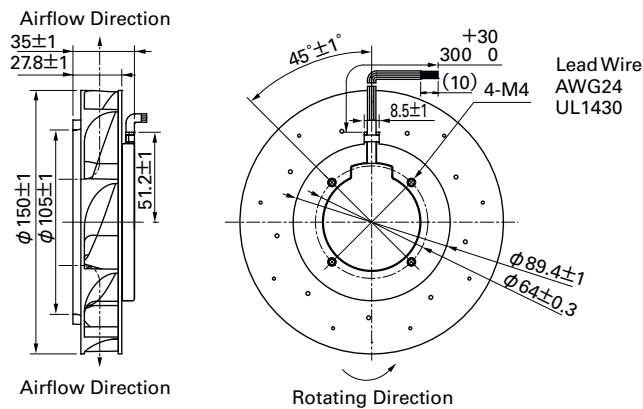
**Specifications** When our inletnozzle[Option(Model : 109-1081)]is mounted. The following nos. **have PWM controls and pulse sensors.**

Model No.	Rated Voltage [V]	Operating Voltage Range [V]	PWM duty cycle <sup>Max(Freq)</sup> [%]	Rated Current [A]	Rated Input [W]	Rated Speed [min <sup>-1</sup> ]	Max. Airflow [m <sup>3</sup> /min] [CFM]	Max. Static Pressure [Pa] [inchH <sub>2</sub> O]	SPL [dB(A)]	Operating Temperature [°C]	Expected Life [h]
9TN24P1H01	24	20.4 to 27.6	100	0.62	14.9	3,800	3.83 135	410 1.65	59	-20 to +70	40,000/60°C
9TN48P1H01	48	36.0 to 55.2	100	0.32	15.4	3,800	3.83 135	390 1.57	59		

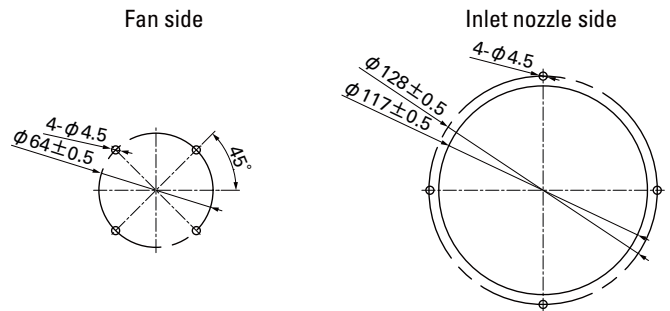
Note 1 : Fan does not rotate when PWM duty cycle is 0% .  
Note 2 : Max input is 9TN24P1H01 : 21.4W, 9TN48P1H01 : 22W.

※PWM Frequency : 25kHz

## Dimensions (unit: mm)



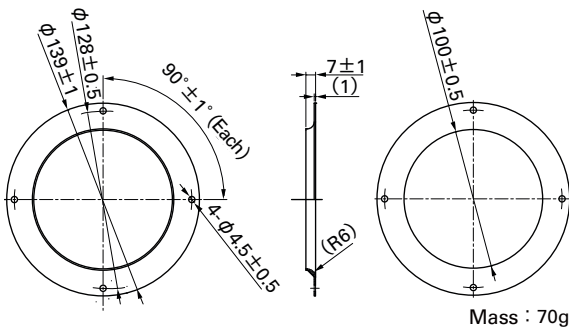
## Reference Dimensions of Mounting Holes and Vent Opening (unit: mm)



## Options (unit: mm)

### Inlet Nozzle

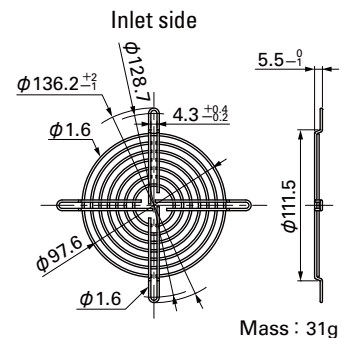
Model : 109-1081 Material : Steel sheet Surface treatment : Electro nickel plating (silver) Color : Steel sheet  
: 109-1081H : Steel sheet : Cation electropainting (black)



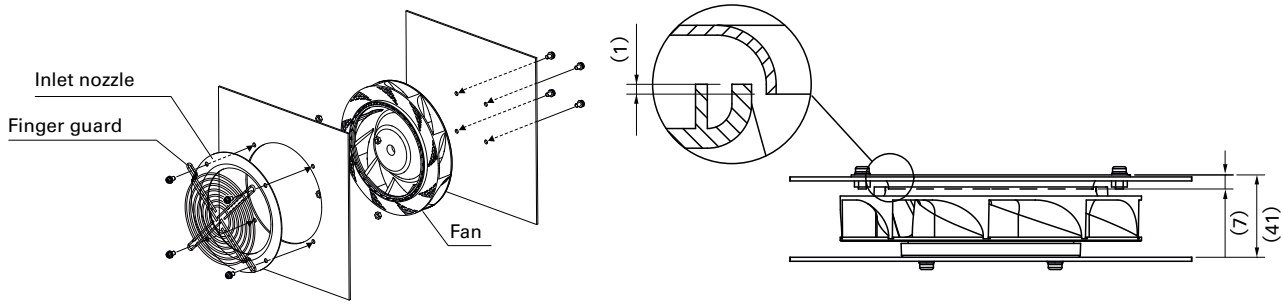
Inlet nozzle : Nozzle mounted in fan inlet side to adjust the flow of introduced air

### Finger Guards

Model : 109-1104 Surface treatment : Nickel-chrome plating (silver) Color : 109-1104H : Cation electropainting (black)



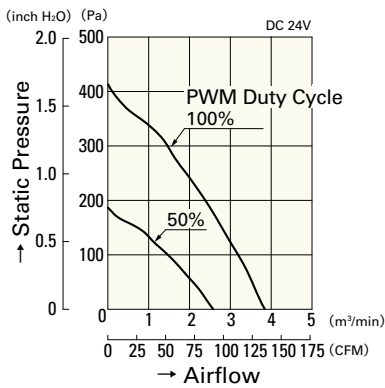
## Reference Diagram for Mounting



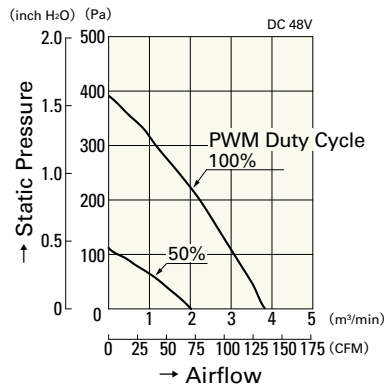
Screw length should be 4 mm or more but not exceeding 6 mm from fan edge face.

## Airflow - Static Pressure Characteristics

### PWM Duty Cycle

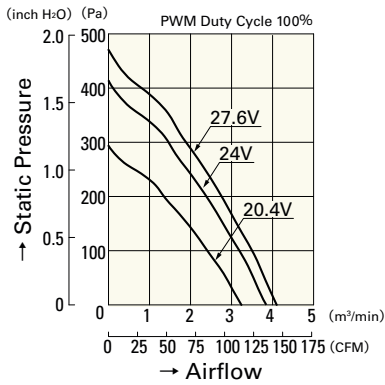


**9TN24P1H01**

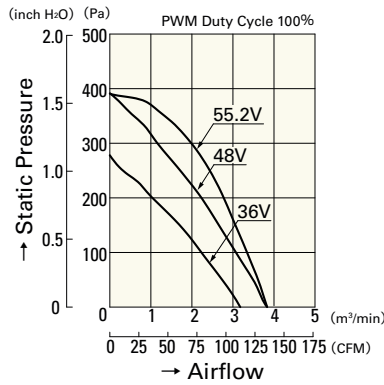


**9TN48P1H01**

### Operating Voltage Range

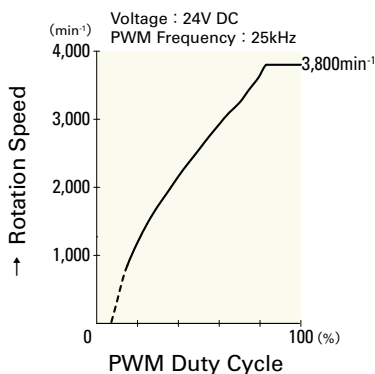


**9TN24P1H01**

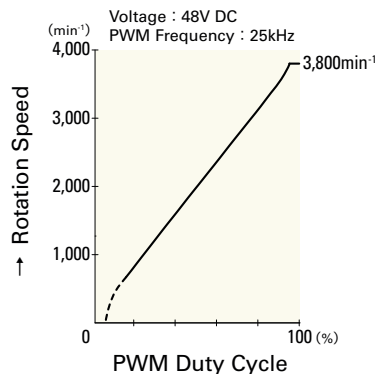


**9TN48P1H01**

## PWM Duty - Speed Characteristics Example



**9TN24P1H01**



**9TN48P1H01**