

1 2 3 4 5 6

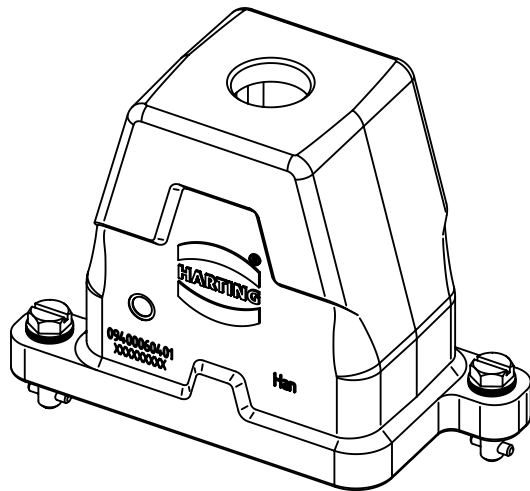
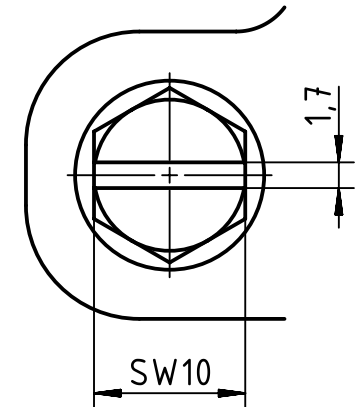
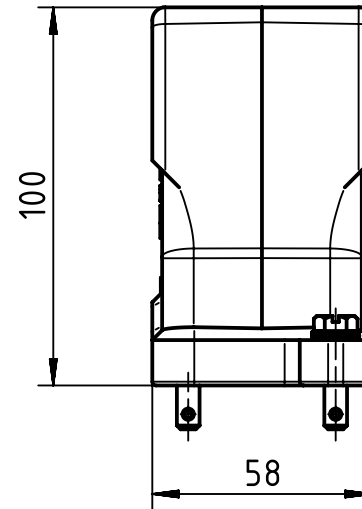
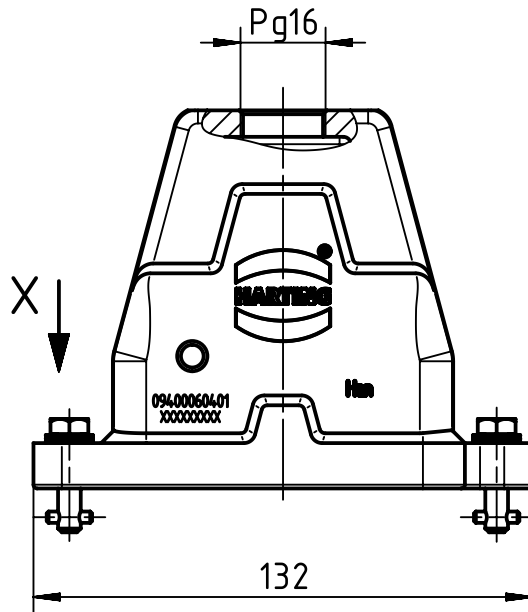
A

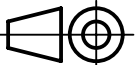

B

C

D

X (2:1)



 All Dimensions in mm Original Size DIN A4	Scale	Free size tol.		Ref.	
	1:2			Sub.	
 All rights reserved Department EL PD - DE	Created by	Inspected by	Standardisation	Date	State
	RULLKOETTER	SCHNIEDER	TIEMANNA	2014-02-17	Final Release
HARTING Electric GmbH & Co. KG D-32339 Espelkamp	Title				Doc-Key / ECM-Nr. 100208597/UGD/002/A 500000071789
	Han 6HPR Hood Top Entry PG16 Toggle lock				
Type		Number		Rev.	Page
TB		09 40 006 0401		A	1/1