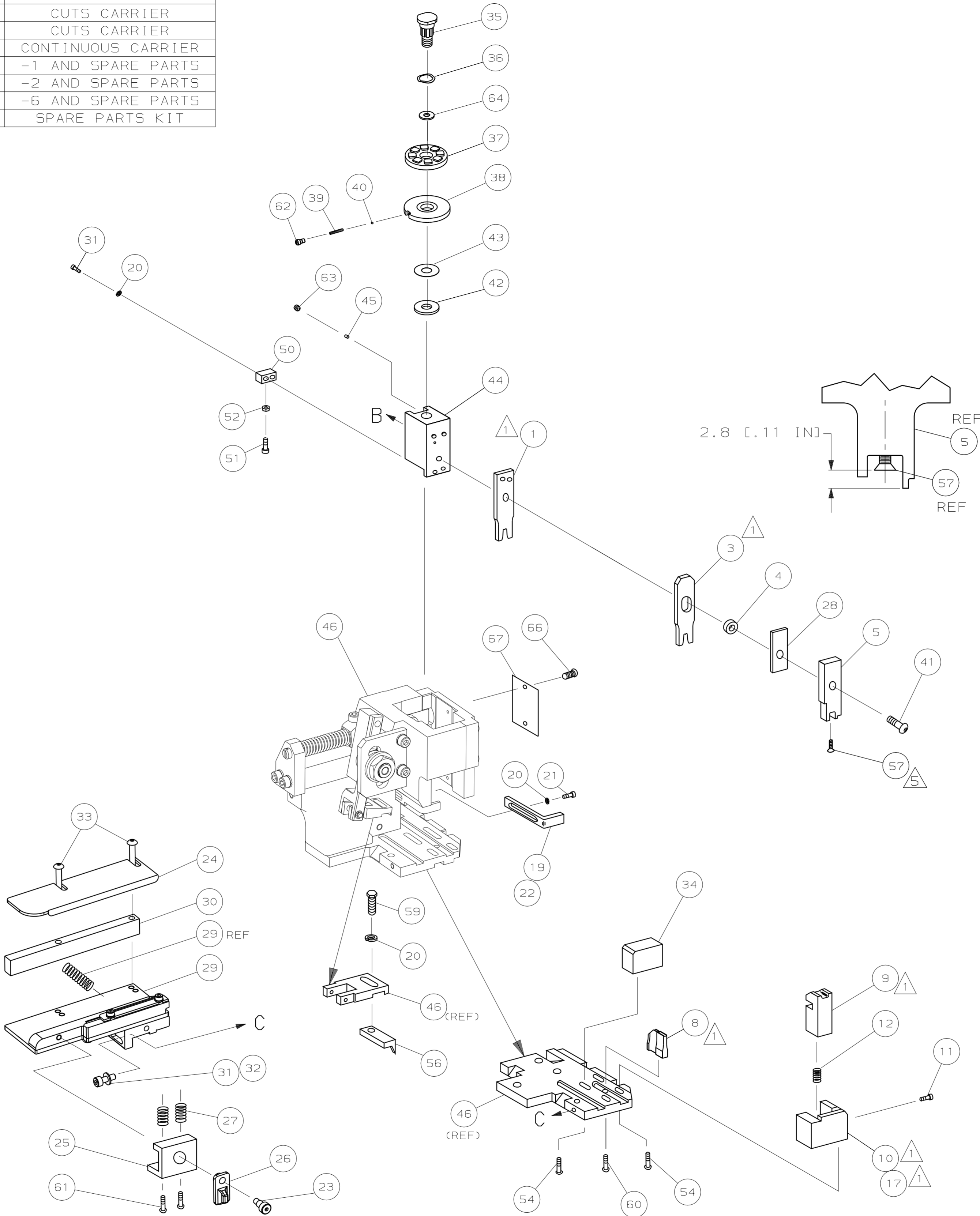


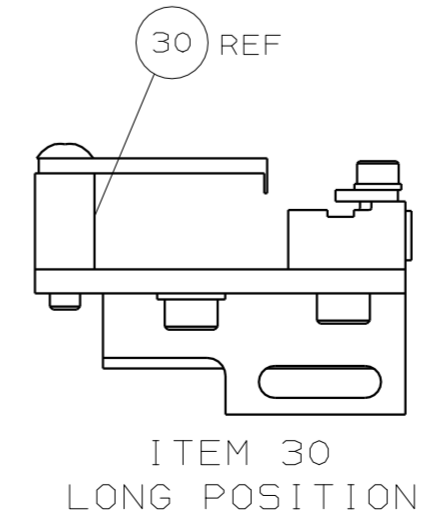
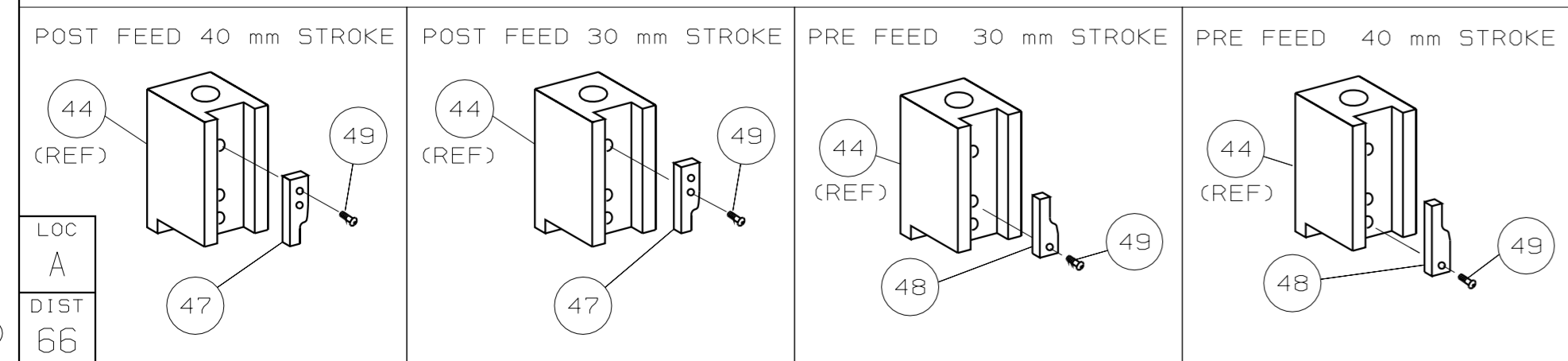
PART NUMBER	REV	FIRST USED	TERMINATOR	FEED TYPE	DESCRIPTION
1426314-1	D	-	LEADMAKER	MECH POST FEED	CUTS CARRIER
1426314-2	D	-	BENCH	MECH PRE FEED	CUTS CARRIER
1426314-6	D	-	LEADMAKER	MECH POST FEED	CONTINUOUS CARRIER
7-1426314-1	D	-	LEADMAKER	MECH POST FEED	-1 AND SPARE PARTS
7-1426314-2	D	-	BENCH	MECH PRE FEED	-2 AND SPARE PARTS
7-1426314-6	D	-	LEADMAKER	MECH POST FEED	-6 AND SPARE PARTS
7-1426314-7	A	-	-	-	SPARE PARTS KIT

CRIMP DATA			
AMP TERMINAL		AMP CRIMP SPECS	
TERMINAL NAME: 1.6 SYSTEM TERMINAL MALE / FEMALE 4			
CRIMP	SIZE	TYPE	RANGE
WIRE	2.54 [.100 IN]	F	1.50-2.00mm ²
INSUL	3.81 [.150 IN]	0	2.20-2.80 [.087-.110 IN]
WIRE STRIP LENGTH	APPL INSTRUCTION		
4.00-4.80 [.157-.189 IN]	408-8322		
TERMINAL	114-20121	-	FEED
APPL SPEC	-	-	12.50 [.492 IN]
TERMINALS APPLIED			
TERMINAL	SEAL 6	-	-
1-1437709-3	1-1437713-3	-	-
1-1437709-6	1-1437713-3	-	-
1-1437709-7	1-1437713-3	-	-
1437709-1	1-1437713-3	-	-
-	-	-	-
-	-	-	-
WIRE SIZE	CRIMP HEIGHT	PIN PN AND LENGTH [IN]	
mm ² AWG			
2.00mm ²	1.65 ± 0.05 [.065 ± .002 IN]	4-354778-4 [.2715]	
1.50mm ²	1.50 ± 0.05 [.059 ± .002 IN]	5-354778-6 [.2775]	
-	-	-	-
-	-	-	-
-	-	-	-
-	-	-	-
-	-	-	-
-	-	-	-
-	-	-	-
-	-	-	-



- 1 RECOMMENDED SPARE PARTS.
2. GREASE RAM, CAM, CAM FOLLOWER AND FEED ROD LIGHTLY.
3. LUBRICATE DAILY PER THE APPLICATOR INSTRUCTION SHEET SUPPLIED WITH THE APPLICATOR.
- 4 THIS APPLICATOR APPLIES TERMINAL WITH A SEAL. INSULATION RANGE SHOWN IS FOR TERMINALS; INSULATION RANGE FOR SEAL PN 1-1437713-3 IS 2.20-2.40mm.
- 5 APPLY TORQ-SEAL IN ALLEN SOCKET TO FILL HOLE AFTER FLAT HD HAS BEEN ADJUSTED TO CORRECT HEIGHT AT QUALIFICATION. APPLY #1-23419-5 LOC-TITE TO THREADS.
- 6 SEAL PART NUMBER ONLY FOR 1.50mm² & 2.00mm².

VIEW B ROTATED 180°



DIMENSIONS: mm [INCHES]	MATL	HT TR	FIN
DO NOT SCALE PRINT.			
TOLERANCES UNLESS OTHERWISE SPECIFIED:			
1	PLC DEC ±		
2	PLC DEC ±		
3	PLC DEC ±		
ANGLES ±			
SURF TEXTURE:			
REMOVE BURRS, BREAK SHARP EDGES RO.38 MAX			
CAGE CODE	00779	CUSTOMER AND ASSEMBLY DRAWING	

QTY	REQD	PER	ASSY	PARTS LIST	DESCRIPTION	ITEM NO	
-	1	1	1	1	1426314	PRINT, APPLICATOR LOG SHEET	73
-	1	1	1	1	1338705-1	DOCUMENTATION PACKAGE	71
-	1	1	1	1			70
-	1	1	1	1			69
-	1	1	1	1			68
-	1	1	1	1	461264-1	PLATE, IDENTIFICATION	67
-	2	2	2	2	21017-2	SCR,DRIVE (#2x.19) ID PLATE	66
-	1	1	1	1			65
-	1	1	1	1	986950-1	WASHER, FLAT PRECISION	64
-	1	1	1	1	3-18031-0	SCR,SKT SET (M6X6)RAM	63
-	1	1	1	1	18023-9	SCR,SHC (M4X6) INS DISC	62
-	2	2	2	2	2-18032-5	SCR,SKT SET (MSX20)DRAG	61
-	1	1	1	1	18024-7	SCR,BHC (M4X10)ANVIL	60
-	1	1	1	1	5-18022-2	SCR,HEX (M4X8)FEED FINGER	59
-	1	1	1	1			58
-	1	1	1	1	985575-3	SCR,FHC (M3X10)DEP	57
-	1	1	1	1	1338685-1	PAWL, FEED	56
-	4	4	4	4			55
-	4	4	4	4	18024-8	SCR,BHC (M4X12) SHEAR HOLDER	54
-	1	1	1	1			53
-	1	1	1	1	18030-1	NUT, HEX (M3) HOLD DOWN	52
-	1	1	1	1	811242-5	BUMPER, HOLDDOWN	51
-	1	1	1	1	690753-2	SPACER, TONKER	50
-	1	1	1	1	18024-3	SCR,BHC (M3X10)CAM	49
-	1	1	1	1			48
-	1	1	1	1	1338675-1	CAM, PRE FEED 30 & 40 mm ST	48
-	1	1	1	1	1338676-1	CAM, POST FEED 30 & 40 mm ST	47
-	1	1	1	1	1320999-3	APPLICATOR BASIC SUBASSY	46
-	1	1	1	1	690191-1	PLUG, NYLON	45
-	1	1	1	1	1338660-1	RAM	44
-	1	1	1	1	690125-1	WASHER, LAMINATED	43
-	1	1	1	1	690124-4	WASHER, RAM	42
-	1	1	1	1	2-18024-6	SCR,BHC (M8X25)RAM	41
-	1	1	1	1	23241-1	BALL, STEEL	40
-	1	1	1	1	2-22278-7	SPRING, COMPRESSION	39
-	1	1	1	1	1320922-1	DISC, INSULATION	38
-	1	1	1	1	354777-1	WIRE DISC, PLASTIC	37
-	1	1	1	1	22480-5	WASHER, SPRING	36
-	1	1	1	1	690212-1	POST, RAM	35
-	1	1	1	1	1-1320934-3	SUPPORT, TERMINAL	34
-	2	2	2	2	1-18024-0	SCR,BHC (M4X20)STRIP GUIDE	33
-	1	1	1	1	18027-2	WASHER, FLAT (M4)	32
-	3	3	3	3	1-18023-2	SCR,SKT CAP (M4X12)MOUNT BLOCK	31
-	1	1	1	1	1320908-1	SPACER, STRIP GUIDE	30
-	1	1	1	1	1633073-2	STRIP GUIDE PLATE ASSY	29
-	1	1	1	1	1-455888-4	SPACER, FRONT SHEAR DEP	28
-	2	2	2	2	1-22284-0	SPRING, DRAG	27
-	1	1	1	1	356835-1	LEVER, DRAG RELEASE	26
-	1	1	1	1	240792-1	DRAG, TERMINAL	25
-	1	1	1	1	1320928-1	PLATE, STRIP GUIDE	24
-	1	1	1	1	980371-4	SCR,SHC SHLD	23
-	1	1	1	1	690472-2	STRIPPER	22
-	1	1	1	1	1-18023-1	SCR,SHC (M4X10)STRIPPER	21
-	4	4	4	4	18025-2	WASHER, LOCK (M4)STRIPPER	20
-	1	1	1	1	690472-1	STRIPPER	19
-	1	1	1	1			18
-	1	1	1	1			16
-	1	1	1	1			15
-	1	1	1	1			14
-	1	1	1	1			13
-	1	1	1	1	3-22280-3	SPRING, SHEAR	12
-	1	1	1	1	356885-5	STOP, SHEAR	11
-	1	1	1	1	1-1320921-0	HOLDER, SHEAR, FRONT (CUT)	10
-	1	1	1	1	318707-1	SHEAR, FLOAT (FRONT)	9
-	1	2	2	1	1-1333206-9	ANVIL	8
-	1	1	1	1			7
-	1	1	1	1			6
-	1	1	1	1	1338680-1	DEPRESSOR, SHEAR (FRONT)	5
-	1	1	1	1	238011-2	SPACER, BLOCK CRIMPER	4
-	1	2	2	1	1-904741-3	CRIMPER, INSULATION	3
-	1	2	2	1			2
-	1	2	2	1	456407-9	CRIMPER, WIRE	1

THIS DRAWING IS A CONTROLLED DOCUMENT.

LAYOUT L1426314 SET UP GAGE 458637-3

2002

RELEASED FOR PUBLICATION BY AMP INCORPORATED. ALL RIGHTS RESERVED.

THIS DRAWING IS UNRELEASABLE. COPYRIGHT © 2002 AMP 1756 REV 3-92

1426314

D

C

B

A