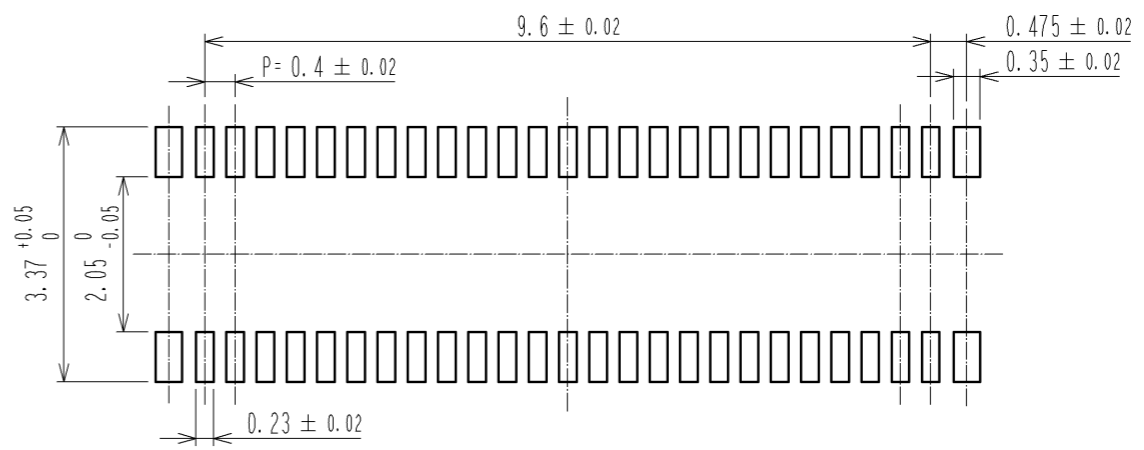


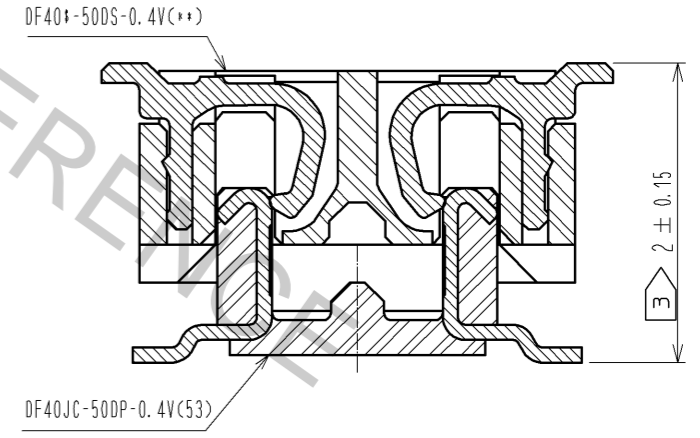
RECOMMENDED PATTERN



RECOMMENDED METAL MASK THICKNESS: 120 μm
 RECOMMENDED METAL MASK OPENING RATIO: 80% FOR LEAD PAD

A-A(20:1)

ENGAGEMENT FIGURE (20:1)

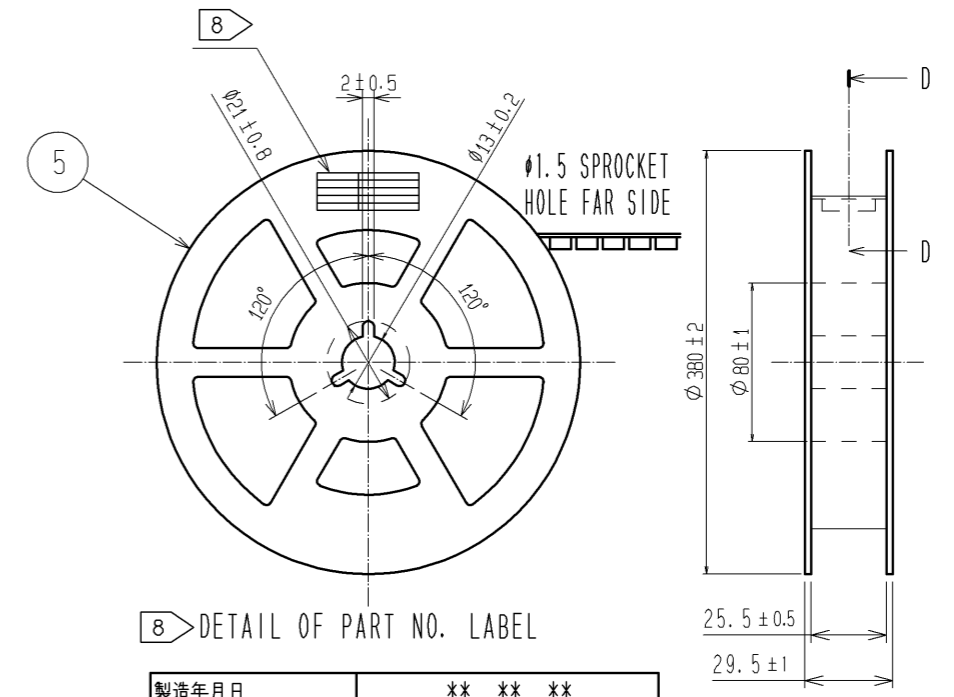
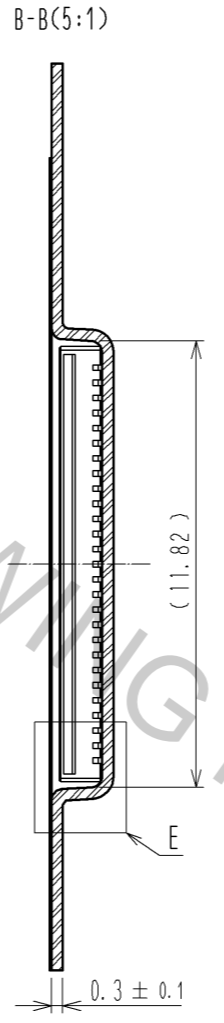
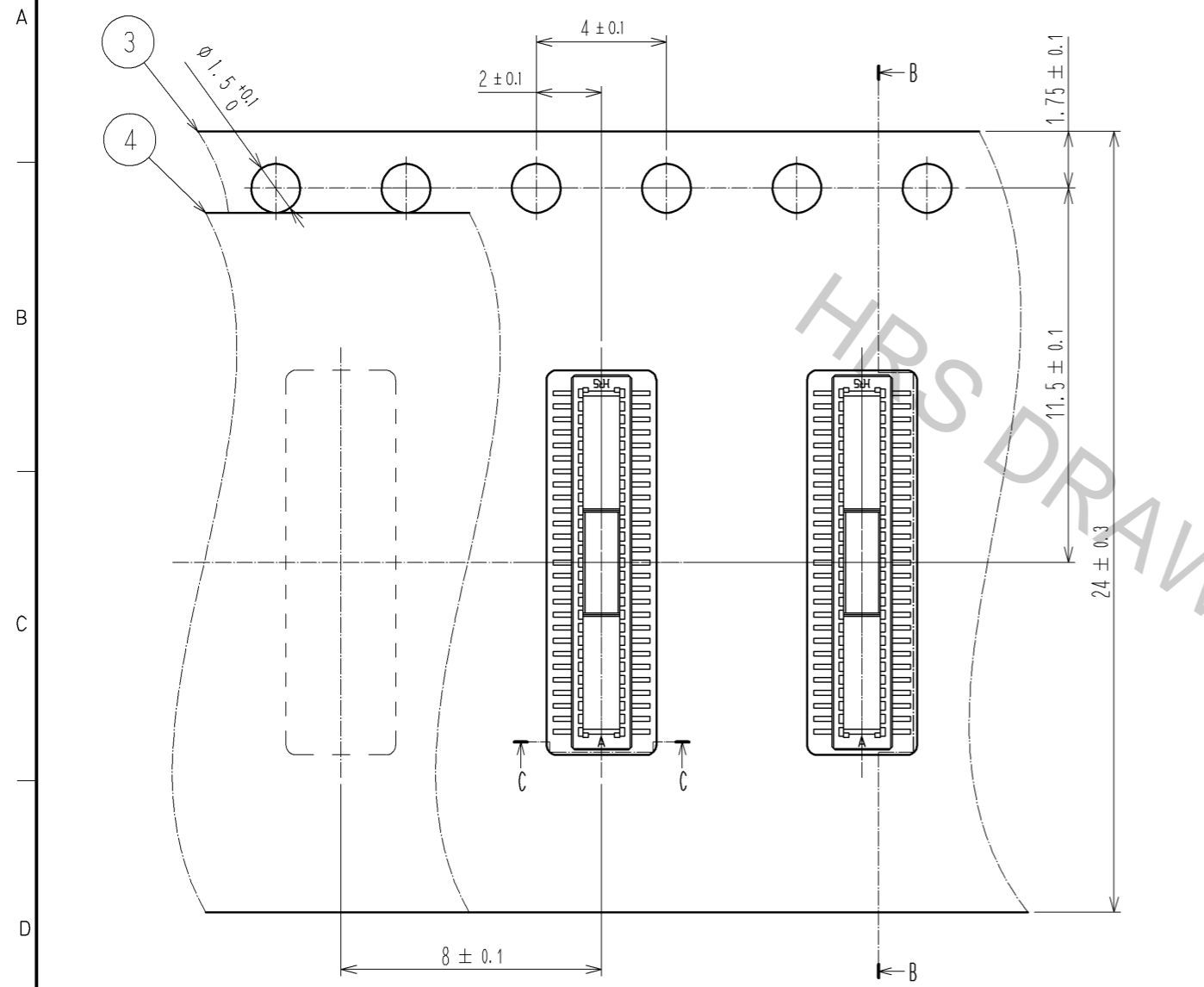


- NOTES) 1. ALL LEADS CO-PLANARITY SHALL BE 0.1 MAX.
 2. EACH ONE CONTACT AT 4 CORNERS SHALL BE USED AS METAL HOLD DOWN.
 3. THE DIMENSIONS INDICATED IN THE FIGURE IS REFERENCE.
 AN ELECTRIC PERFORMANCE IS GUARANTEED BY BEING MAINTAINED AS SHOWN IN THE FIGURE.
 4. CONTACT PLATING SPECIFICATIONS.
 CONTACT AREA : PdNi0.76 μm+AuPO.05 μm MIN
 SMT LEAD : PdNi0.76 μm+AuPO.05 μm MIN
 UNDERPLATING : NICKEL 2 μm MIN

3	PS	CLEAR, EMBOSSED CARRIER TAPE	6	PS	CLEAR, REINFORCEMENT COLLAR			
2	PHOSPHOR BRONZE	4	5	PS	BLACK, PLASTIC REEL			
1	LCP	BLACK, UL94V-0	4	POLYESTER	CLEAR, COVER TAPE			
NO.	MATERIAL	FINISH, REMARKS	NO.	MATERIAL	FINISH, REMARKS			
UNITS	mm	SCALE	10 : 1	COUNT	DESCRIPTION OF REVISIONS	DESIGNED	CHECKED	DATE
HIROSE ELECTRIC CO., LTD.		APPROVED	: KH. IKEDA	12.01.17	DRAWING NO. EDC3-315646-01			
		CHECKED	: TS. MIYAZAKI	12.01.17	PART NO. DF40JC-50DP-0.4V(53)			
		DESIGNED	: TR. YUNOKI	12.01.16	CODE NO. CL684-4072-6-53			
		DRAWN	: TR. YUNOKI	12.01.16	1/2			

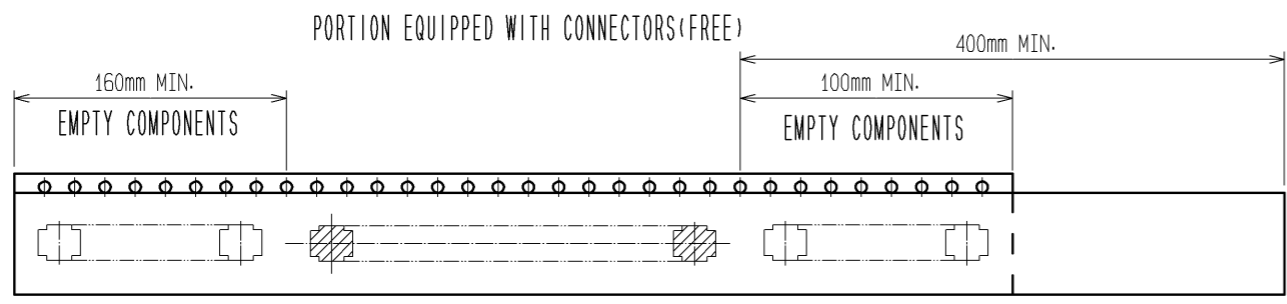
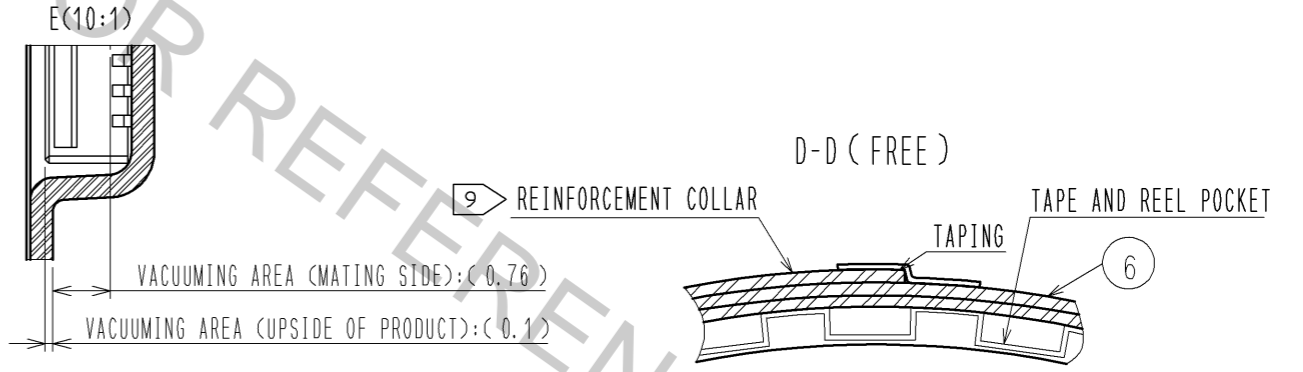
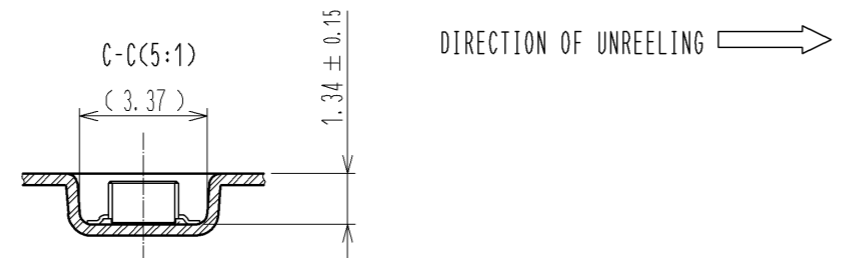
EMBOSSED CARRIER TAPE PACKAGING(5:1)

STYLE AND DIMENSIONS OF REEL(FREE)



8) DETAIL OF PART NO. LABEL

製造年月日	** ** *
製品コード	CL684-4072-6-53
製品名	DF40JC-50DP-0.4V(53)
数量	200
納入者	ヒロセ電機(株)



- NOTES
- PER REEL 200 CONNECTORS.
 - THE DIMENSIONS IN PARENTHESES ARE FOR REFERENCE.
 - REFER TO JIS C 0806(PACKING OF COMPONENTS FOR AUTOMATIC HANDLING)
 - DETAIL OF PART NO. LABEL IS WRITTEN IN JAPANESE
PART NO. LABEL DESCRIBES THE FOLLOWING INFORMATION FROM TOP.
PRODUCTION DATE:
PRODUCT CODE: CL684-4072-6-53
PART NUMBER: DF40JC-50DP-0.4V(53)
NUMBER OF PIECES: 200 PIECES
SUPPLIER NAME: HIROSE ELECTRIC CO., LTD.
 - AFTER PACKAGING, ROLL 2 METERS OF THE REINFORCEMENT COLLAR TO OUTER CIRCUMFERENCE OF TAPE AND REEL POCKET, AND TAPE DOWN AT THE END THE COLLAR.

HRS	DRAWING NO.	EDC3-315646-01
	PART NO.	DF40JC-50DP-0.4V(53)
	CODE NO.	CL684-4072-6-53
		△ 2/2