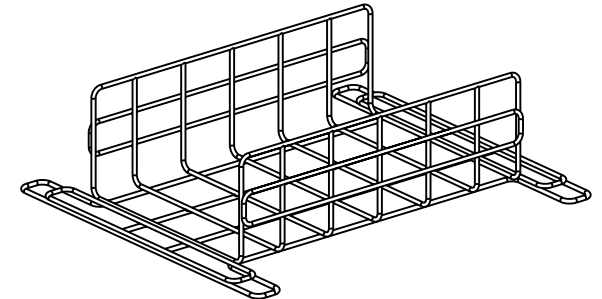
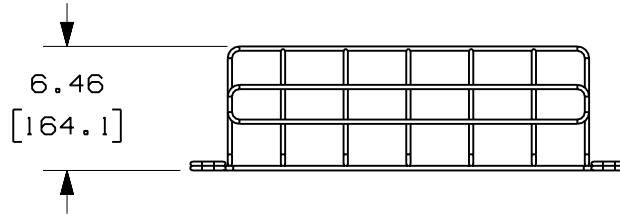
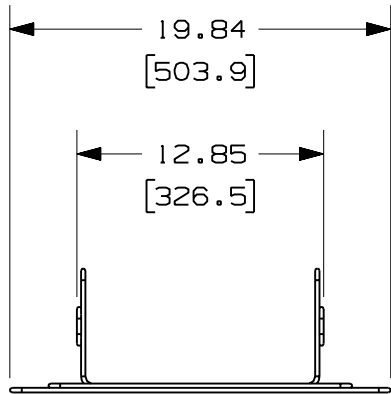
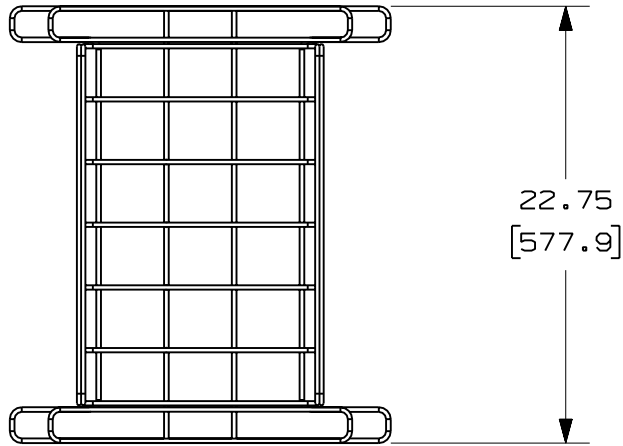


THIS COPY IS PROVIDED ON A RESTRICTED BASIS AND IS NOT TO BE USED IN ANY WAY DETRIMENTAL TO THE INTERESTS OF PANDUIT CORP.



PANDUIT PART NUMBER	WEIGHT
GR12X6X24PG	5.82 LB/EA (2640g/EA)

NOTES:

- SEE CURRENT CATALOG FOR ADDITIONAL PART SUFFIXES TO INDICATE PACKAGE QUANTITY.
- DIMENSIONS IN PARENTHESES ARE IN METRIC.

ENG. REF.: D39065JO\_DC/00 GR12X6X24

CAD FILENAME/LAYERS

GR12X6X24PG.pdf

**PANDUIT** CORP TINLEY PARK, ILLINOIS  
**GRIDRUNNER 12x6x24 WIRE BASKET**  
**(GR12X6X24PG)**  
 CUSTOMER DRAWING

UNLESS OTHERWISE SPECIFIED,  
 DIMENSIONAL TOLERANCES ARE:

(.X) ± (.XXX) ±  
 (.XX) ± .05 (1.3) ANGLES ±

UNLESS OTHERWISE SPECIFIED,  
 ALL DIMENSIONS ARE GIVEN IN  
 INCHES, THIRD ANGLE PROJECTION.

DRAWN BY MSO

MAT'L:

SCALE

NONE

DATE 10-30-07

PRE-GALVANIZED  
 STEEL WIRE

DRAWING NO.

39065-62

DWG

A

CHK'D SABR

SIZE

REV	DATE	BY	CHK	DESCRIPTION	ECN	R	CUST	SUP	GMBH
R	10-30-07	MSO	SABR	RELEASED TO PRODUCTION	39065-62	RN	RN		