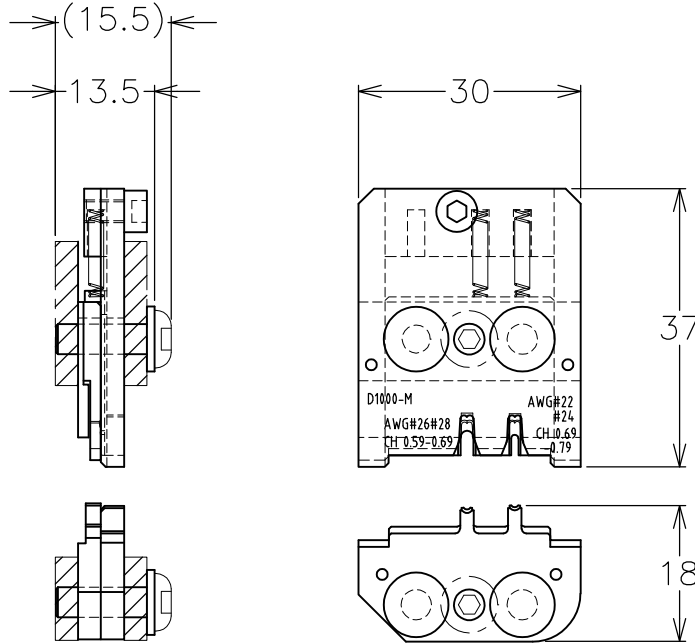


REVISIONS

P	LTR	DESCRIPTION	DATE	DWN	APVD
	C	ECR-16-009644	05JUL2016	S.N	J.K

-1 ONLY



RELEASED FOR PUBLICATION


ALL RIGHTS RESERVED.

Tyco Electronics Japan C.K.

THIS DRAWING IS UNPUBLISHED.

© COPYRIGHT

TERMINAL No.	WIRE SIZE AWG#	INS. RANGE (mm)	TERMINAL CH (mm)		IS. No.
			WIRE	INS.	
1827587-2 1871743-1	#22,#24	ø1.2-ø1.6	0.69-0.79	2.10 REF	411-78201
1903116-2 1903124-1	#26,#28	ø1.08-ø1.4	0.59-0.69	1.95 REF	

DIMENSIONS: ??? ? mm	DWN S.NAKA	11.JUL.2005	MATERIAL ??	FINISH ??	-
	CHK S.NAKA	11.JUL.2005	 TE Connectivity		
TOLERANCES UNLESS OTHERWISE SPECIFIED: ????	APVD S.YABE	11.JUL.2005			
0 PLC ± - 1 PLC ± - 2 PLC ± - 3 PLC ± - 4 PLC ± - ANGLES ± -	PRODUCT SPEC ????	-	NAME ?? DIE ASSY		
	APPLICATION SPEC ??????	114-5377	SIZE A4	CAGE CODE 00779	DRAWING NO ?? C-1762847
	WEIGHT 90g	RESTRICTED TO -			
CUSTOMER DRAWING			SCALE ??	1:1	SHEET 1 OF 1 REV C