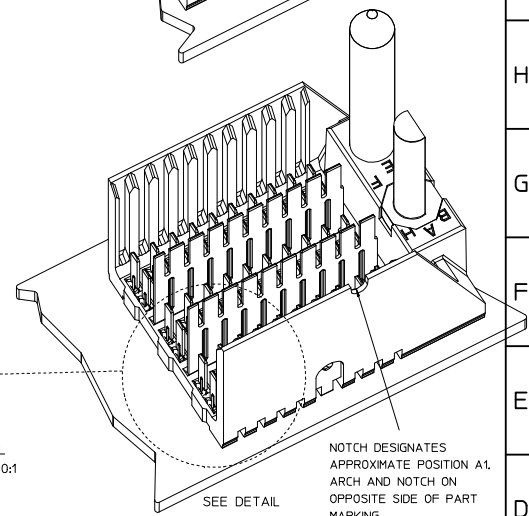
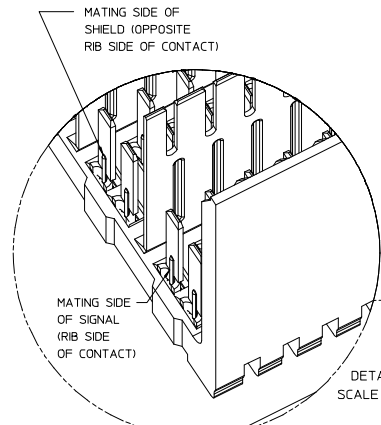
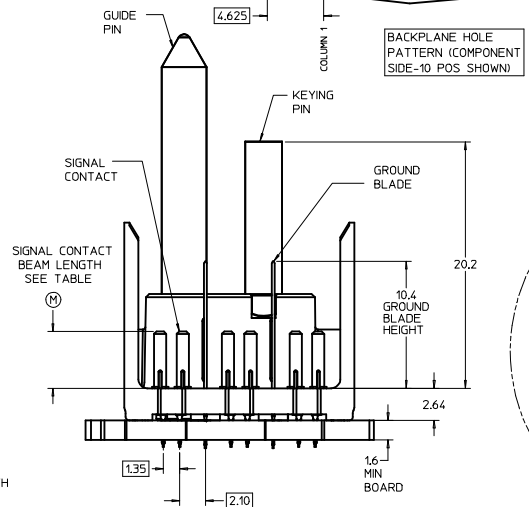
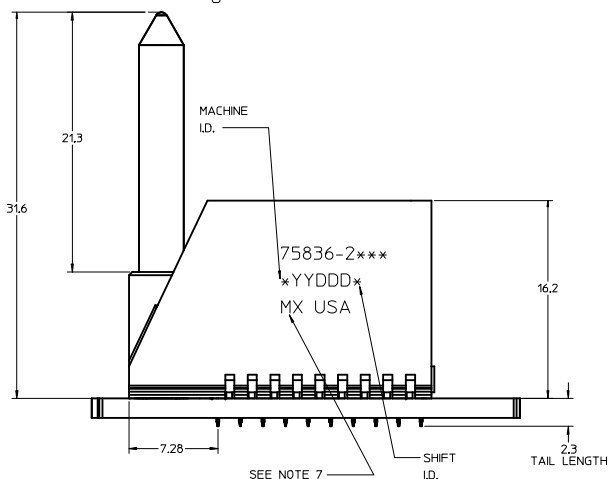
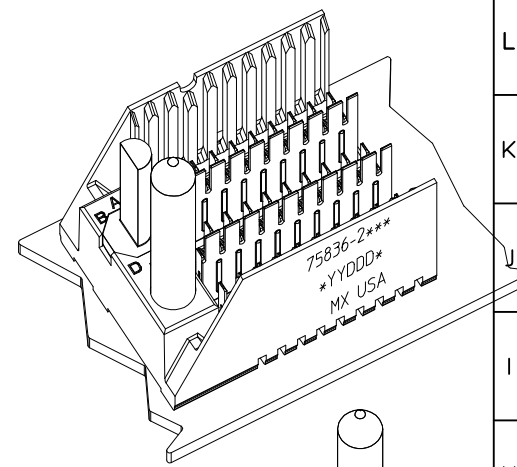


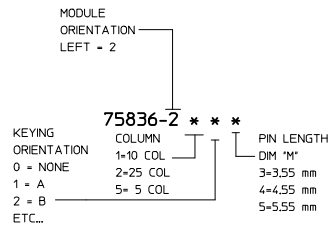
ROW AG & HG RECOMMENDED FOR ALL APPLICATIONS. THESE ROWS SHOULD BE CONNECTED TO GROUND.

- ROW AG
- ROW A
- ROW B
- ROW C
- ROW D
- ROW E
- ROW F
- ROW G
- ROW H
- ROW HG



PART NUMBER TABLE				
ASSY PART NO.	K	L	P	TOTAL NO. OF DIFFERENTIAL PAIRS
75836-21**	9	16.25	24.78	30
75836-22**	24	44.40	52.53	75
75836-25**	4	7.40	15.53	15

- NOTES:
- MATERIAL: HOUSING - LIQUID CRYSTAL POLYMER (LCP) GLASS-FILLED. UL 94V-0. COLOR - GRAY. SIGNAL CONTACT AND GROUND BLADE - HIGH PERFORMANCE COPPER ALLOY.
 - FINISHES: SELECTIVE GOLD (Au) ON CONTACT AREA. SELECTIVE MATTE TIN (Sn) ON PCB TAILS, NICKEL (Ni) OVERALL.
 - THIS PART CONFORMS TO MOLEX PRODUCT SPECIFICATION PS-75221-999.
 - FOR MIXED CONTACT MATING LENGTHS CONSULT MOLEX FOR AVAILABILITY. CONTACT PAIRS MUST BE THE SAME LENGTH.
 - FOR SPECIFIC PART NUMBER AND MATING INFORMATION PLEASE REFER TO CHART.
 - PACKAGE PER PK-70873-572.
 - EITHER MARK PART NUMBER AND DATE CODE APPROXIMATELY WHERE SHOWN OR PLACE A LABEL ON THE TUBE.
 - OPTIONAL HOLE LOCATION FOR GROUNDED GUIDE PIN OR ADDITIONAL GUIDE PIN SUPPORT. FOR GROUNDED GUIDE PIN, HOLE TO BE PLATED, DRILL SIZE $\phi 2.58$, PAD SIZE $\phi 5.50$.
 - THESE PARTS CONFORM TO MOLEX COSMETIC SPECIFICATION PS-45499-002 CLASS B.



P/N	---0*	---1*	---2*	---3*	---4*	---5*	---6*	---7*	---8*
75863-()	0	A	B	C	D	E	F	G	H
KEYING PIN ORIENTATION									

LEAD-FREE PLATING ON SIGNALS. & GROUNDS.

REVISED EC NO: UCP2007-2799 DRWN: BINGHAM 2007/05/02 CHKD: 2007/05/03 APPR: SPEED 2007/05/03 (REV) DESCRIPTION	QUALITY SYMBOLS	GENERAL TOLERANCES (UNLESS SPECIFIED)	SCALE 5:1	DESIGN UNITS METRIC	THIRD ANGLE PROJECTION	REVISE ON CAD ONLY	
	0 1 2 3 4 5 6 7 8 9 10 11 12 13 14 15 16 17 18 19	4 PLACES ± 3 PLACES ± 2 PLACES ± 1 PLACE ±	DIMENSION STYLE MM ONLY	DRAWN BY DATE CTOMAS 2006/01/13	CHECKED BY DATE KMLUVEY 2006/01/16	TITLE GBX 3-PAIR LEFT END BACKPLANE ASSEMBLY LEAD-FREE SALES DRAWING	MOLEX INCORPORATED
	THIS DRAWING CONTAINS INFORMATION THAT IS PROPRIETARY TO MOLEX INCORPORATED AND SHOULD NOT BE USED WITHOUT WRITTEN PERMISSION						