

THIS DRAWING IS UNPUBLISHED. RELEASED FOR PUBLICATION

© COPYRIGHT BY TYCO ELECTRONICS CORPORATION. ALL RIGHTS RESERVED.

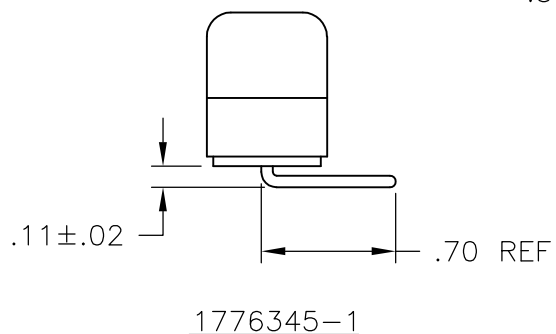
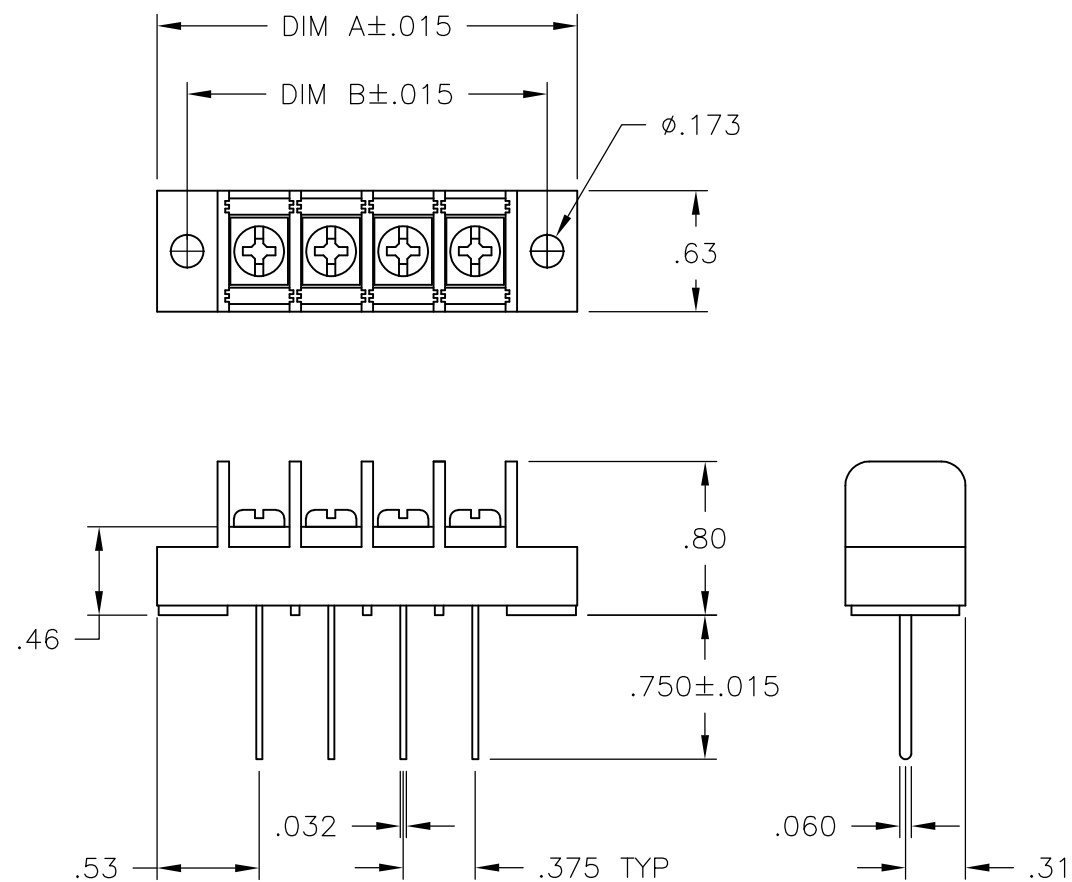
LOC	DIST	REVISIONS					
FT	0	P	LTR	DESCRIPTION	DATE	DWN	APVD
			D	REVISED PER ECO-10-013617	26JUL10	HMR	CR

MATERIAL:
 HOUSING: THERMOPLASTIC, UL94V-0, BLACK.
 TERMINALS: BRIGHT TIN OVER COPPER ALLOY.
 SCREWS: #6-32 STEEL, ZINC PLATING W/ CLEAR CHROMATE. (EXCEPT WHERE NOTED.)

ELECTRICAL:
 CURRENT RATING UL/CSA:
 CLASS C: 20A, 300V
 CLASS D: 5A, 600V
 WIRE RANGE: 12-22 AWG

MECHANICAL:
 RECOMMENDED TORQUE: 7 IN-LB.
 OPERATING TEMP.: 105°C MAX.

- ① BRASS SCREWS.
- ② STAINLESS STEEL SCREWS.



9.000	9.314	23	JC6-W207-23	1-1546703-9
8.625	8.939	22	JC6-W207-22	1-1546703-8
8.250	8.564	21	JC6-W207-21	1-1546703-7
7.875	8.189	20	JC6-W207-20	1-1546703-6
7.500	7.814	19	JC6-W207-19	1-1546703-5
7.125	7.439	18	JC6-W207-18	1-1546703-4
6.750	7.064	17	JC6-W207-17	1-1546703-3
6.375	6.689	16	JC6-W207-16	1-1546703-2
6.000	6.314	15	JC6-W207-15	1-1546703-1
5.625	5.939	14	JC6-W207-14	1-1546703-0
5.250	5.564	13	JC6-W207-13	1546703-9
4.875	5.189	12	JC6-W207-12	1546703-8
4.500	4.814	11	JC6-W207-11	1546703-7
4.125	4.439	10	JC6-W207-10	1546703-6
3.750	4.064	9	JC6-W207-09	1546703-5
① 3.375	3.689	8	JC6-W205-08	3-796985-1
3.375	3.689	8	JC6-W207-08	1546703-4
3.000	3.314	7	JC6-W207-07	1546703-3
2.625	2.939	6	JC6-W207-06	796985-5
2.250	2.564	5	JC6-W207-05	1-1437666-9
② 1.875	2.189	4	JC6-W207-04-227	1776345-1
1.875	2.189	4	JC6-W207-04	1546703-2
① 1.500	1.814	3	JC6-W205-03	1776345-2
1.500	1.814	3	JC6-W207-03	1546703-1
1.125	1.439	2	JC6-W207-02	1-1437666-8
DIM B	DIM A	NO OF POS	CATALOG NUMBER	PART NUMBER

THIS DRAWING IS A CONTROLLED DOCUMENT.		DWN S SCHLEGEL 5/27/03	Tyco Electronics Corporation Harrisburg, PA 17105	
DIMENSIONS: INCHES		CHK S. YODER 5/27/03	NAME	
TOLERANCES UNLESS OTHERWISE SPECIFIED:		APVD S. YODER 5/27/03	JC6-W207-XX ASSEMBLY	
0 PLC ± -		PRODUCT SPEC	SIZE CAGE CODE DRAWING NO RESTRICTED TO	
1 PLC ± -		APPLICATION SPEC	A3 00779 C-1-1437666-8	
2 PLC ± .01		WEIGHT -	SCALE NTS SHEET 1 OF 1 REV D	
3 PLC ± .005		CUSTOMER DRAWING		
4 PLC ± -				
ANGLES ± -				
MATERIAL -				
FINISH -				