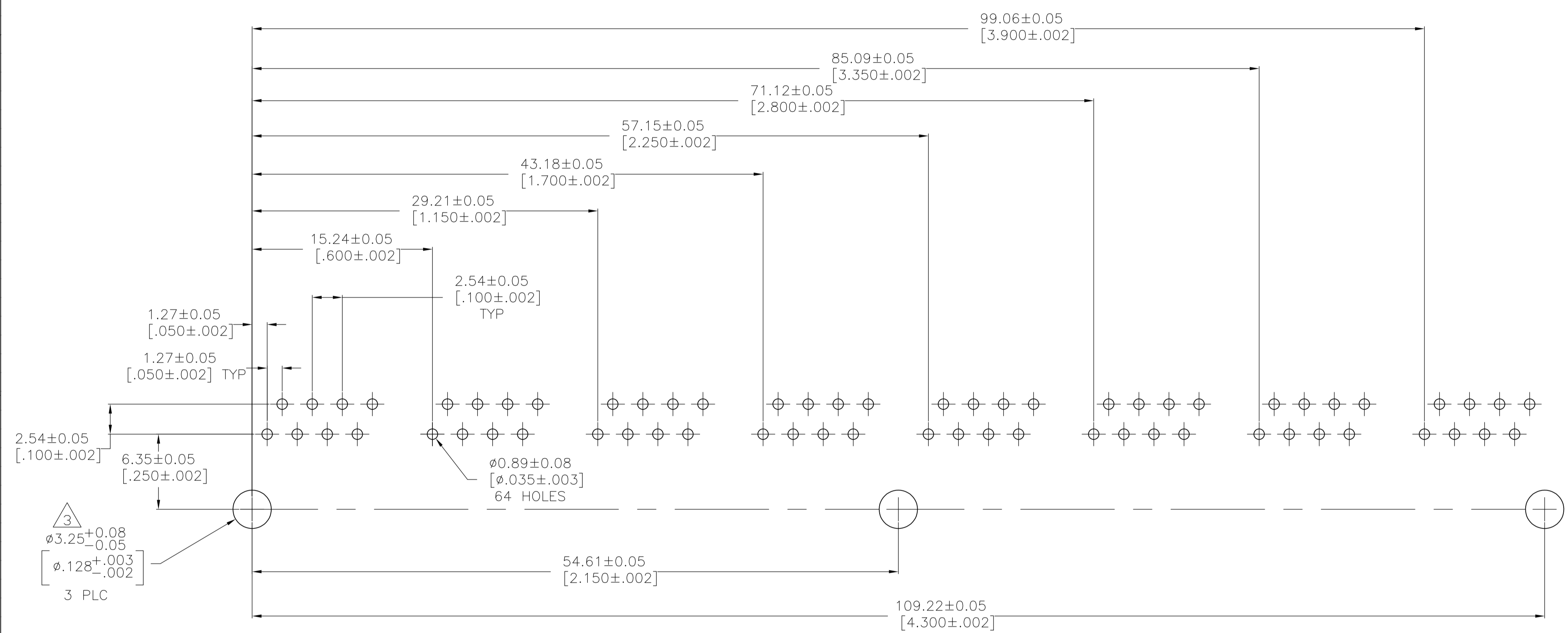
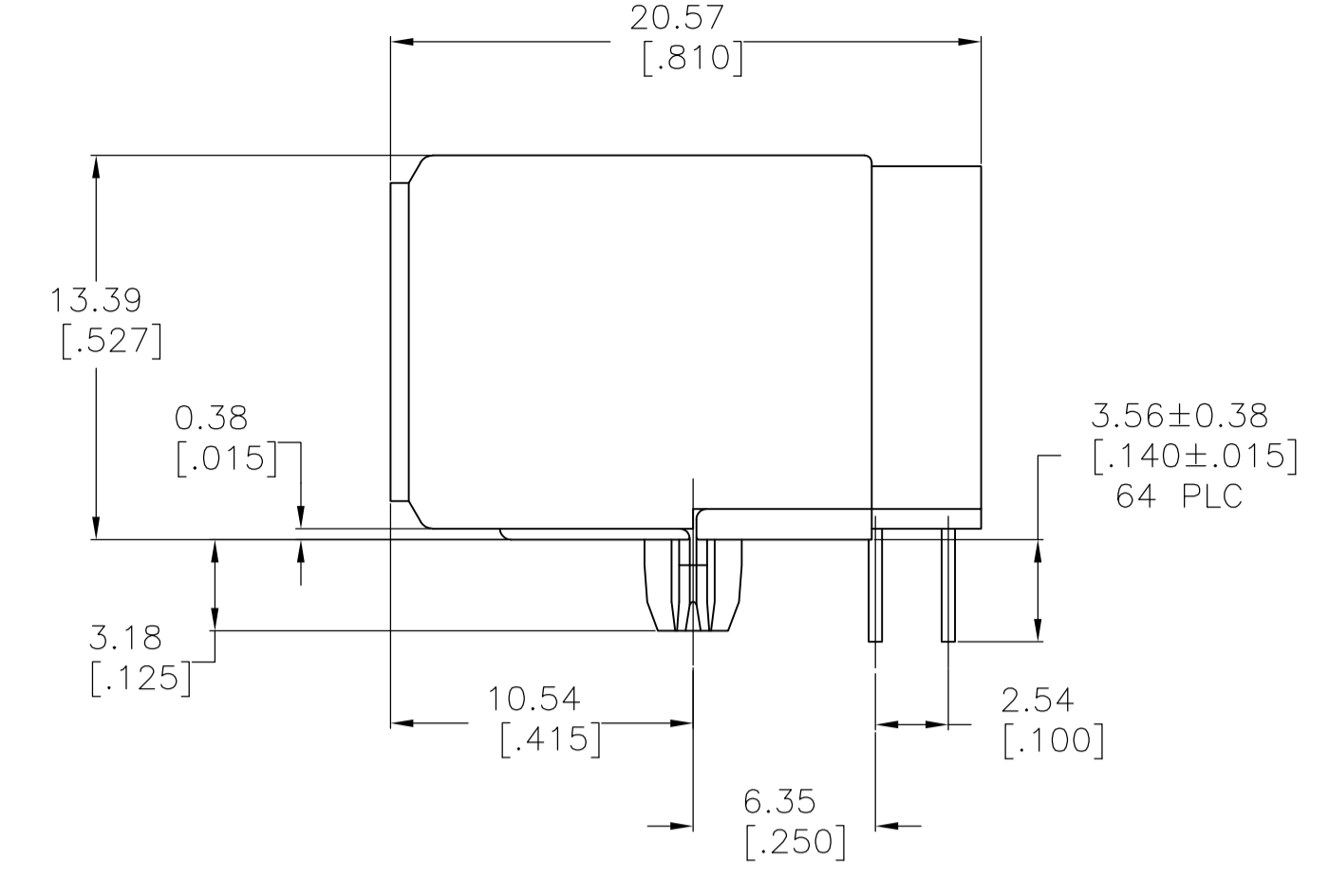
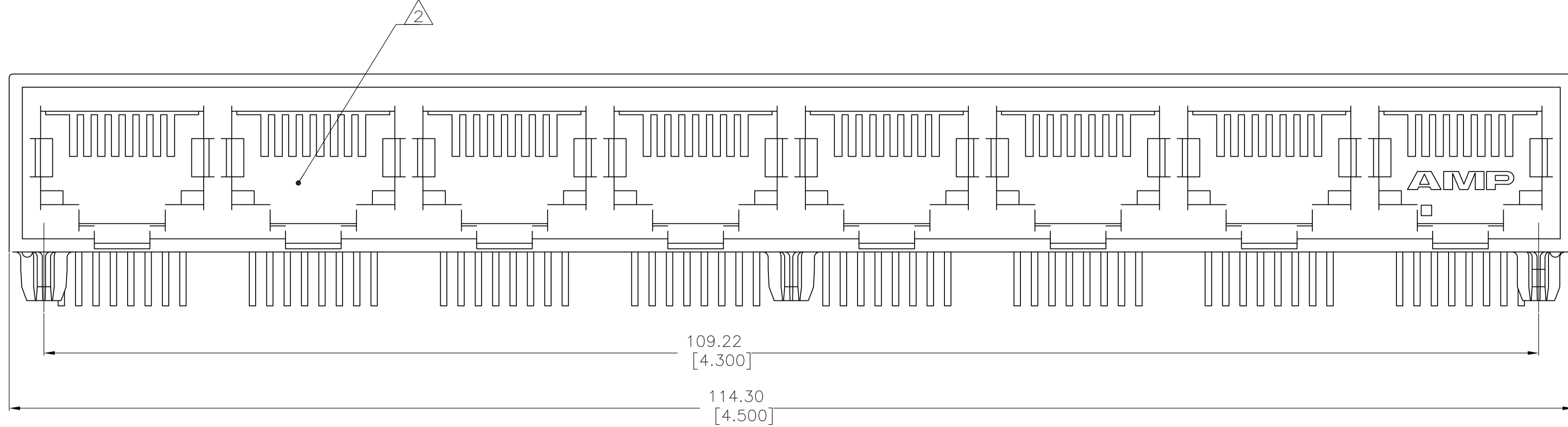
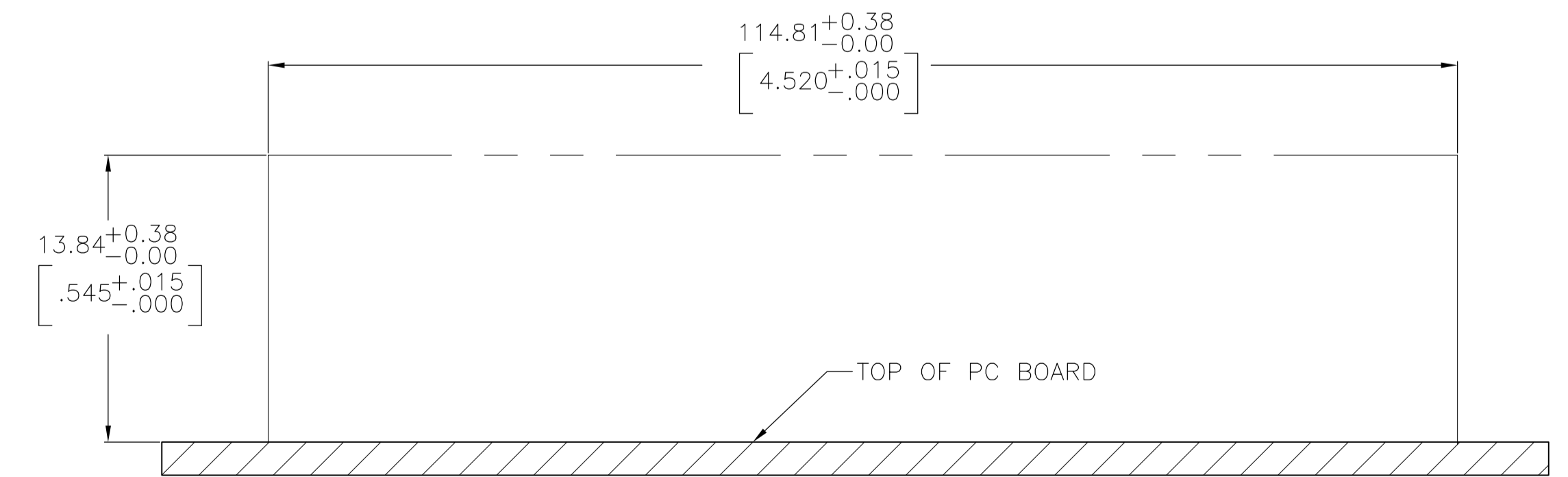


LOC		DIST		REVISIONS			
P	LTR	DESCRIPTION	DATE	DN	APVD		
B		ECO-07-021493	02OCT07	LAM	JW		



- MATERIAL: HOUSING - NYLON, COLOR: BLACK, UL 94V-0. OVERMOLDED TERMINAL ARRAY - PBT, BROWN. TERMINALS - 0.33[.013] THICK PHOS BRONZE PLATED WITH 1.27 $\mu$ m[.000050] MINIMUM HARD GOLD IN LOCALIZED AREA AND 3.81 $\mu$ m[.000150] MINIMUM TIN-LEAD IN SOLDER AREA OVER 1.27 $\mu$ m[.000050] MINIMUM NICKEL UNDERPLATE. SHIELD - 0.254[.010] THICK COPPER ALLOY PLATED WITH 2.03 $\mu$ m[.000080] MINIMUM THICK BRIGHT TIN OVER 1.27 $\mu$ m[.000050] MINIMUM NICKEL.
- $\triangle a$  JACK CAVITY CONFORMS TO FCC RULES AND REGULATIONS, PART 68 SUBPART F.  
 $\triangle 3$  USE #30 DRILL BIT OR 3.25mm DRILL BIT WHEN PRODUCING THESE PCB HOLES.

RECOMMENDED PC BOARD LAYOUT  
 COMPONENT SIDE  
 (SEE APPLICATION SPECIFICATION)



RECOMMENDED PANEL CUTOUT

6116525-1  
 PART NUMBER

THIS DRAWING IS A CONTROLLED DOCUMENT.		DIN L VARELA - DOCKS 10JUN2005	Tyco Electronics Corporation Harrisburg, Pa 17105-3608	
DIMENSIONS: mm [INCHES]		CHK J. WESTMAN 10JUN2005	NAME S. FLICKINGER 10JUN2005	
TOLERANCES UNLESS OTHERWISE SPECIFIED:		PRODUCT SPEC 108-1163-2		
0 PLC ± -		APPLICATION SPEC 114-2048		
1 PLC ± -		SIZE CAGE CODE DRAWING NO. RESTRICTED TO		
2 PLC ± 0.25(.01)		A1 00779 C=6116525		
3 PLC ± 0.13(.005)		WEIGHT -		
4 PLC ± -		CUSTOMER DRAWING SCALE 4:1 SHEET 1 OF 1 REV B		
ANGLES ± -				
FINISH SEE NOTE 1				