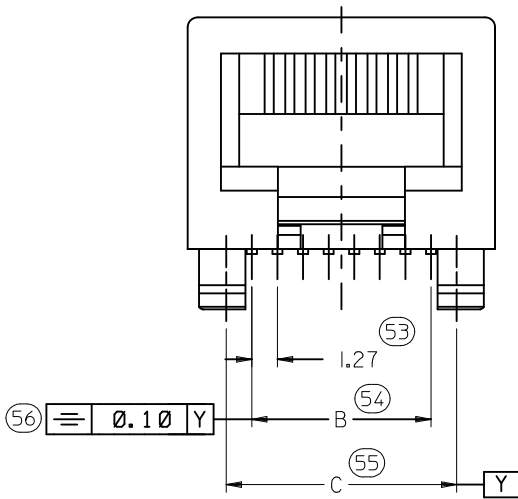
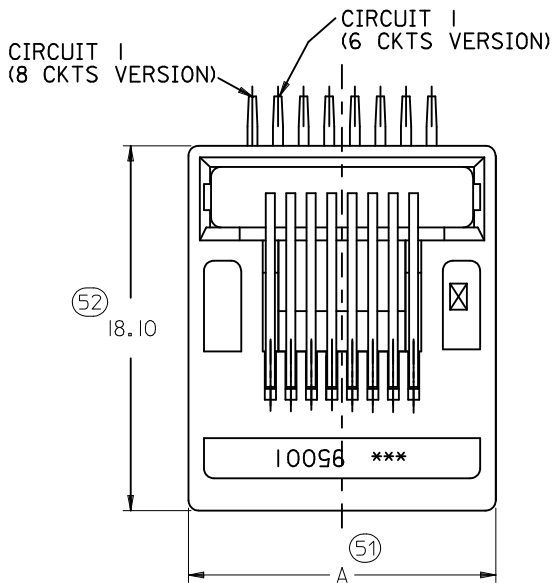


6 & 8 VERSIONS

8 VERSION SHOWN

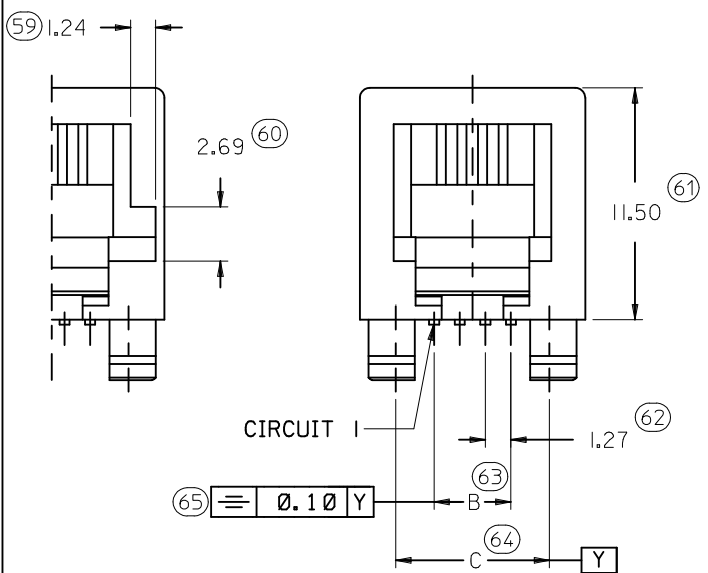


TYPE	POS. 4	POS. 6		POS. 8
	4 CKTS.	4 CKTS.	6 CKTS.	8 CKTS.
A	11.18	13.21	13.21	15.24
C	7.62	10.16	10.16	11.43
B	3.81	3.81	6.35	8.89

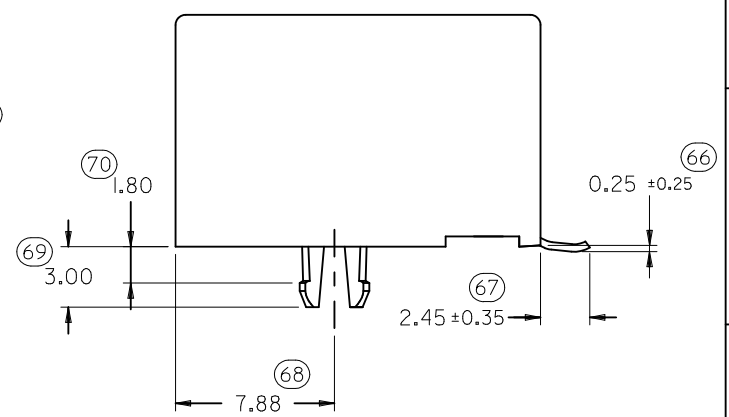
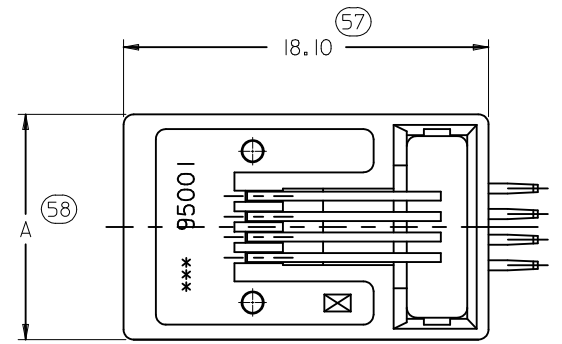
NOTES :

- 1- MATERIAL:
 - HOUSING: LCP GLASS FILLED UL 94V-0, COLOUR BLACK.
 - 2- SEE OTHER NOTES SHEET 1
 - 3- COPLANARITY OF SIGNAL TAILS 0.10MM
- INSPECTION NUMBERS USED: 51 - 100
LAST INSPECTION NUMBER: 70

OPTIONAL KEYING



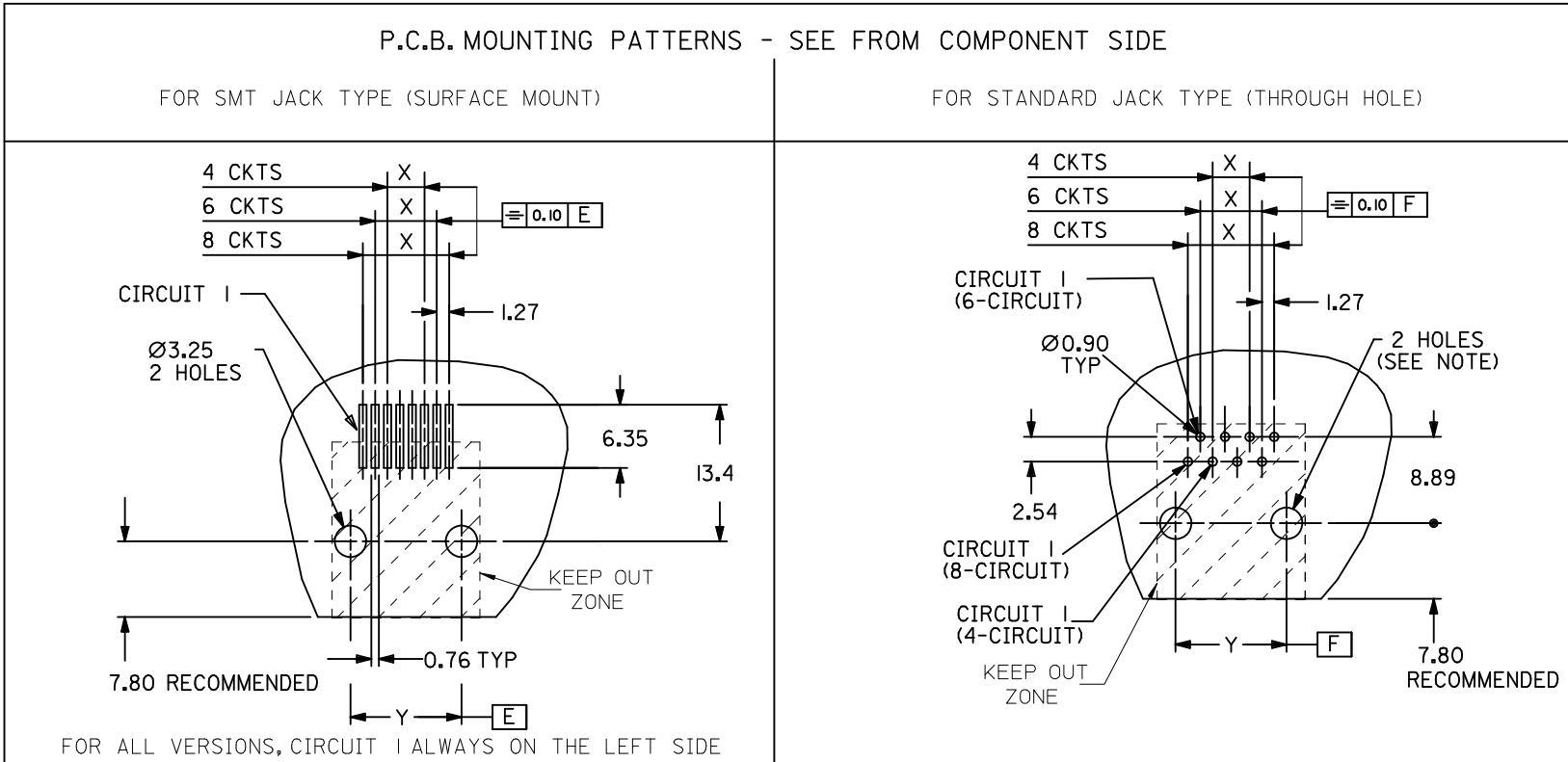
4 VERSION ONLY



REMOVED INCHES EC NO: E2012-0079 DRWN: JCONNOR 2011/02/23 CHKD: APPR: EFOLAN 2011/09/28 REV	QUALITY SYMBOLS	GENERAL TOLERANCES (UNLESS SPECIFIED)	DIMENSION STYLE	SCALE	DESIGN UNITS	THIRD ANGLE PROJECTION
	▼ = 0 ∇ = 0	mm INCH 4 PLACES ± --- ± --- 3 PLACES ± --- ± --- 2 PLACES ± 0.15 ± --- 1 PLACE ± 0.25 ± --- ANGULAR ± ---°	MM ONLY	4:1	METRIC	☉ □ THIRD ANGLE PROJECTION
			DRAWN BY: DBYRNES CHECKED BY: EOMAHONY APPROVED BY: EOMAHONY MATERIAL NO.	DATE: 2006/08/02 DATE: 2006/08/12 DATE: 2006/08/12	TITLE	R/A LOW PROFILE PC JACK 4,6,8 CKTS SIZE SMT VERSION
		DRAFT WHERE APPLICABLE MUST REMAIN WITHIN DIMENSIONS	SEE CHART SHEETS 4 & 5 SIZE: A3	MOLEX INCORPORATED DOCUMENT NO. SD-95501-001	SHEET NO.	2 OF 5

TYPE \ DIM.	POS. 4	POS. 6		POS. 8
	4 CKTS.	4 CKTS.	6 CKTS.	8 CKTS.
Y ±0.05	7.62	10.16	10.16	11.43
X ±0.05	3.81	3.81	6.35	8.89

P.C.B. MOUNTING PATTERNS - SEE FROM COMPONENT SIDE



FOR ALL VERSIONS, CIRCUIT 1 ALWAYS ON THE LEFT SIDE

NOTE:
 FOR CONVECTION SOLDERING: DIA 3.25±0.05
 FOR WAVE SOLDERING: DIA 3.20±0.10
 ALL DIMENSIONS REF DIMENSIONS

REMOVED INCHES EC NO: E2012-0079 DRWN: JOCONNOR 2011/02/23 CHKD: APPR: EFOLAN 2011/09/28	QUALITY SYMBOLS	GENERAL TOLERANCES (UNLESS SPECIFIED)	DIMENSION STYLE	SCALE	DESIGN UNITS	THIRD ANGLE PROJECTION	
	▽=0 ◻=0	mm INCH 4 PLACES ± --- ± --- 3 PLACES ± --- ± --- 2 PLACES ± 0.15 ± --- 1 PLACE ± 0.25 ± --- ANGULAR ± ---°	MM ONLY	2:1	METRIC		
		DRAFT WHERE APPLICABLE MUST REMAIN WITHIN DIMENSIONS	DRAWN BY	DATE	TITLE		
			DBYRNES	2006/08/02	R/A LOW PROFILE JACK PC JACK 4,6,8 CKT SIZE SMT AND STANDARD VERSION		
			CHECKED BY	DATE	MOLEX INCORPORATED		
			EOMAHONY	2006/08/12	MATERIAL NO.		
			APPROVED BY	DATE	DOCUMENT NO.		
			EOMAHONY	2006/08/12	SD-95501-001		
					SHEET NO.		
					3 OF 5		
					THIS DRAWING CONTAINS INFORMATION THAT IS PROPRIETARY TO MOLEX INCORPORATED AND SHOULD NOT BE USED WITHOUT WRITTEN PERMISSION		

SPECIAL PACKAGING TUBE, SEE PACKAGING SPEC PK95001 SHEET 3


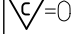

PART NO FOR JACK ASSEMBLY
THROUGH HOLE VERSION

PART NO FOR JACK ASSEMBLY
SMT VERSION

HOUSING SIZE	LOADED CONTACTS
4	4
6	4
6	6
8	8

LCP GLASS FILED 94V0,COLOR BLACK.							
NO KEY	TOOLED	KEY	TOOLED		TOOLED		TOOLED
NOT RIBBED	TOOLED	NOT RIBBED	TOOLED		TOOLED		TOOLED
95501-2401	X						
95501-2601	X						
95501-2611	X						
95501-2821	X						

LCP GLASS FILLED 94V0 COLOUR BLACK							
NO KEY	TOOLED	KEY	TOOLED	NO KEY	TOOLED	KEY	TOOLED
NOT RIBBED	TOOLED	NOT RIBBED	TOOLED	NOT RIBBED	TOOLED	NOT RIBBED	TOOLED
95501-6449	X						
95501-6649	X						
95501-6669	X						
95501-6889	X	95501-6890	X				

REMOVED OPTIONS EC NO: IPG2012-0602 DRW:DBYRNES 2012/03/30 CHKD:MSHAHAN 2012/03/30 APPR:EFOLAN 2012/06/26	QUALITY SYMBOLS  =0  =0	GENERAL TOLERANCES (UNLESS SPECIFIED)		DIMENSION STYLE MM ONLY		SCALE ---	DESIGN UNITS METRIC	THIRD ANGLE PROJECTION		
			mm	INCH	DRAWN BY	DATE	TITLE LOW PROFILE R/A JACK STANDARD AND SMT VERSION TUBE PACKAGING  MOLEX INCORPORATED			
		4 PLACES	± ---	± ---	DBYRNES	2006/08/02				
		3 PLACES	± ---	± ---	CHECKED BY	DATE				
2 PLACES	± ---	± ---	EOMAHONY	2006/08/12	DOCUMENT NO. SD-95501-001					
1 PLACE	± ---	± ---	APPROVED BY	DATE						
		ANGULAR ± ---°		EOMAHONY	2006/08/12	SHEET NO. 5 OF 5				
		DRAFT WHERE APPLICABLE MUST REMAIN WITHIN DIMENSIONS		MATERIAL NO. SEE CHART						