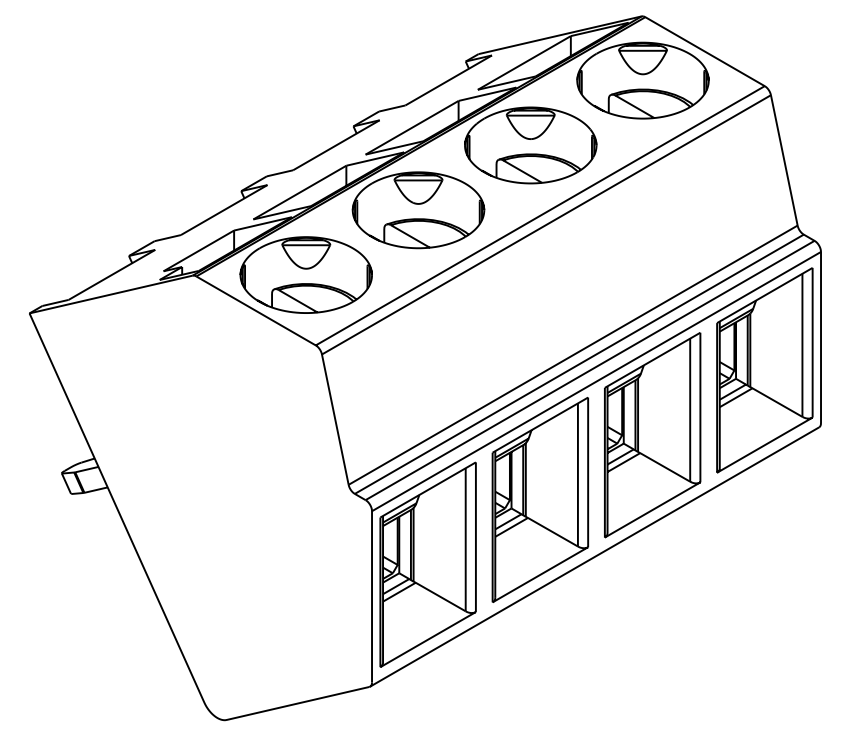
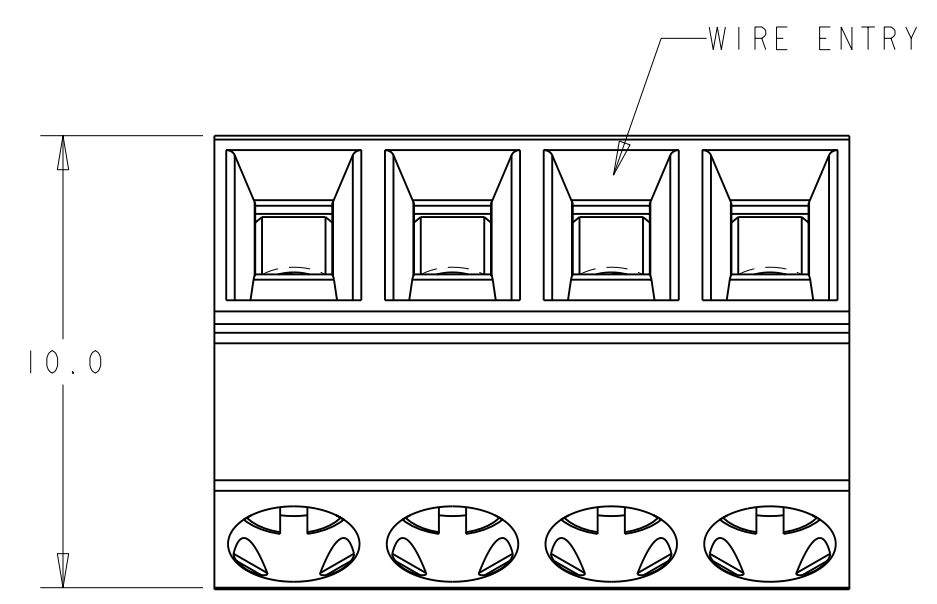


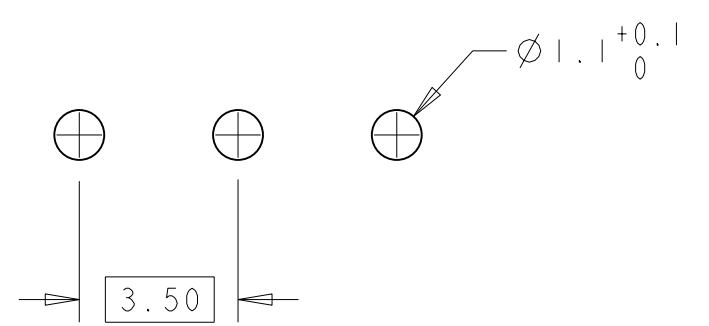
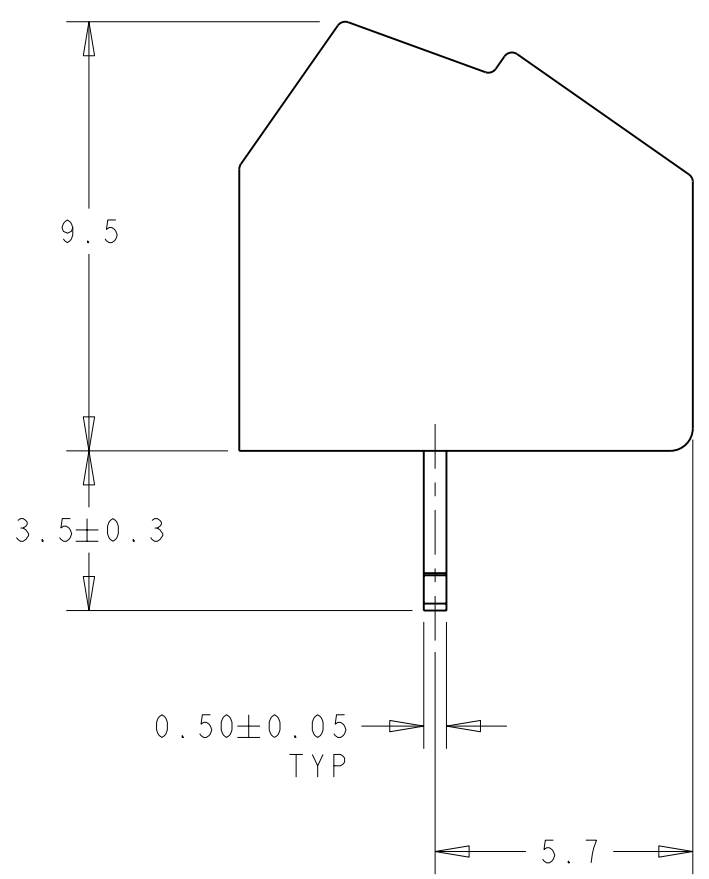
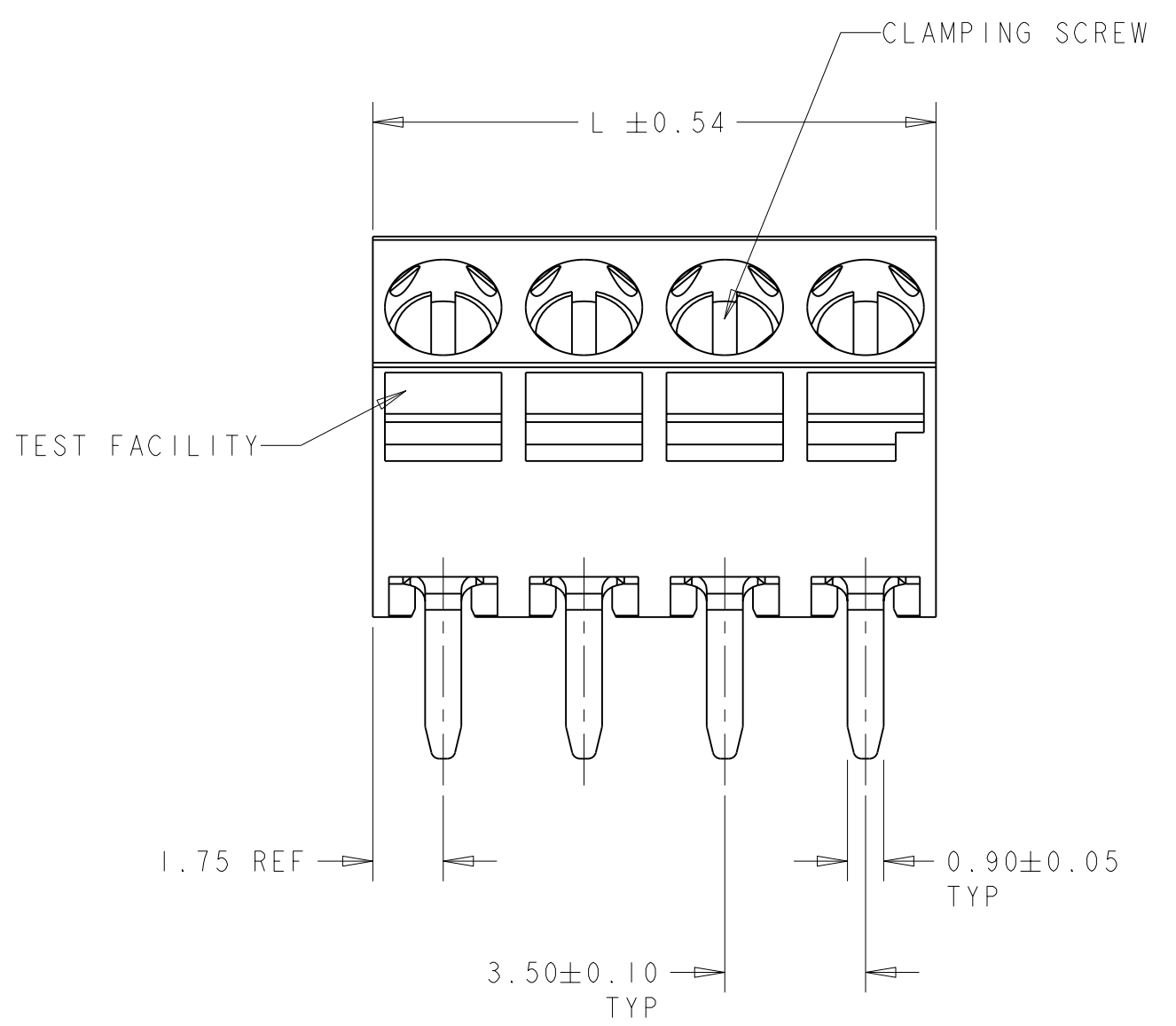
THIS DRAWING IS UNPUBLISHED. RELEASED FOR PUBLICATION 20  
 © COPYRIGHT 20 BY TYCO ELECTRONICS CORPORATION. ALL RIGHTS RESERVED.

LOC		DIST		REVISIONS			
P	LTR	DESCRIPTION	DATE	DWN	APVD		
	0	RELEASED EC 0G3B-0612-04	02JUN2005	SW	CR		



- ⚠ MATERIALS AND FINISH:  
 HOUSING: HIGH TEMPERATURE POLYAMIDE, UL 94V-0 RATED,  
 COLOR: BLACK.  
 TERMINAL: COPPER ALLOY, TIN PLATED.  
 CLAMP: COPPER ALLOY, NICKEL PLATED.  
 CLAMPING SCREW: COPPER ALLOY, NICKEL PLATED.
- WIRE SIZE RANGE: 16-30 AWG.
  - CURRENT RATING: 12A, 300V  
 OPERATING TEMPERATURE: -40°C TO +110°C
  - SUITABLE FOR 2.4mm MAX PC BOARD THICKNESS.

1776115-4 AS SHOWN



RECOMMENDED PC BOARD LAYOUT

42.00	12	1-1776115-2
38.50	11	1-1776115-1
35.00	10	1-1776115-0
31.50	9	1776115-9
28.00	8	1776115-8
24.50	7	1776115-7
21.00	6	1776115-6
17.50	5	1776115-5
14.00	4	1776115-4
10.50	3	1776115-3
7.00	2	1776115-2
L	NO OF POSN	PART NUMBER

THIS DRAWING IS A CONTROLLED DOCUMENT FOR TYCO ELECTRONICS CORPORATION. IT IS SUBJECT TO CHANGE AND THE CONTROLLING ENGINEERING ORGANIZATION SHOULD BE CONTACTED FOR THE LATEST REVISION.		DWN S. WELDON 02JUN2005	Tyco Electronics Harrisburg, PA 17105-3608	
DIMENSIONS: mm		CHK C. RICHARD 02JUN2005	BUCHANAN	
TOLERANCES UNLESS OTHERWISE SPECIFIED: 0 PLC ± 1 PLC ±0.2 2 PLC ±0.25 3 PLC ±0.000 4 PLC ±0.0000 ANGLES ±		APVD C. RICHARD 02JUN2005	NAME TERMINAL BLOCK, ANGLED ENTRY, 55 DEGREE, STACKABLE, 3.5mm PITCH	
MATERIAL	FINISH	PRODUCT SPEC	SIZE A2	CAGE CODE 00779
		APPLICATION SPEC	DRAWING NO C=1776115	RESTRICTED TO
		WEIGHT	SCALE 6:1	SHEET 1 OF 1
		CUSTOMER DRAWING		REV 0