

# HANDLE KIT

**BUL10249**

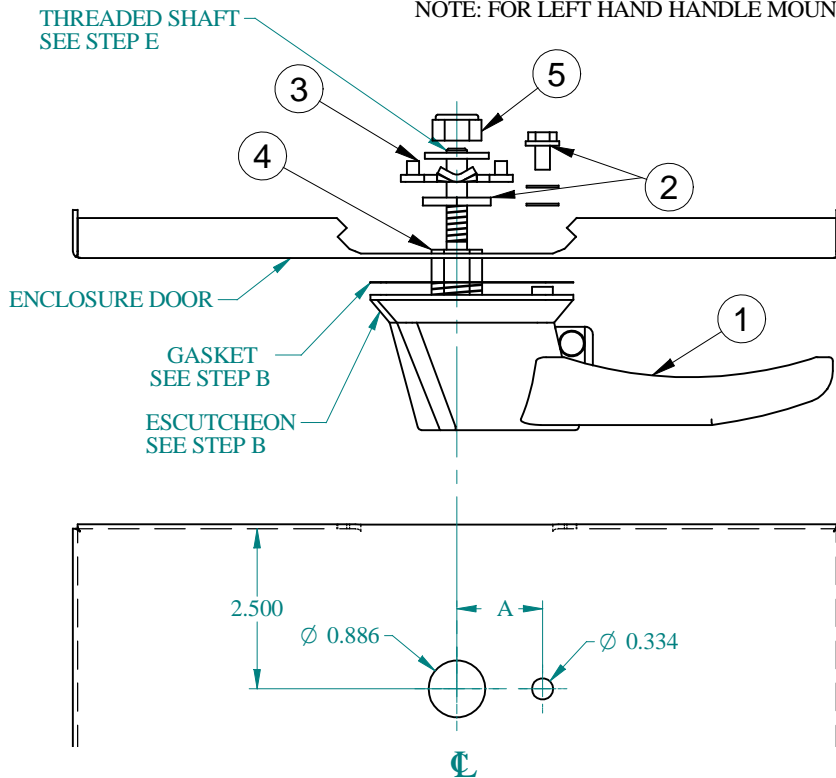
REV. D

## ASSEMBLY INSTRUCTIONS FOR LATCH KITS

### ASSEMBLY INSTRUCTIONS

- A) MARK AND DRILL DOOR AT LOCATIONS DISPLAYED IN THE DRILLING DETAIL.
- B) MOUNT GASKET TO HANDLE (PART 1) . SLIP THREADED SHAFT THROUGH .866" (22.5mm) DIA. HOLE IN DOOR AND HOLD ONTO HANDLE. FASTEN HANDLE TO DOOR USING SCREW, WASHERS AND NUT SUPPLIED (PART 2). NOTE: HANDLE CAN BE MADE TO OPEN CLOPCKWISE OR COUNTER - CLOCKWISE BY CHANGING POSITION OF DOG LOCATED UNGER HANDLE ESCUTCHEON.
- C) SLIP SPACER (PART 4) THAT COMES WITH HANDLE OVER SHAFT.
- D) SLIP CAM (PART 3) OVER SHAFT, PINS FACING UP AND LATCH FACING OUT 90 DEGREES TO HANDLE.
- E) TIGHTEN M12 CENTER- LOCK NUT AND FLAT WASHER (PART 5) AS SHOWN.

NOTE: FOR LEFT HAND HANDLE MOUNT HARDWARE OPPOSITE.



DRILLING DETAIL TOP VIEW

PHK1	8" HANDLE W/PADLOCK
PHKL1	8" HANDLE W/PADLOCK/KEYLOCK
PHKD1	8" HANDLE W/PADLOCK/DEFEATER
MHKL1	6" HANDLE W/PADLOCK/KEYLOCK
MHK1	6" HANDLE W/PADLOCK
MHKD1	6" HANDLE W/PADLOCK/DEFEATER
MHKLSS1	6" SS HANDLEW/PADLOCK/KEYLOCK
MHKSS1	6" SS HANDLE W/PADLOCK
MHKDSS1	6" SS HANDLE W/PADLOCK/DEFEATER

PART	A
6" HANDLE	1.338" (34mm)
8" HANDLE	1.417" (36mm)

PART#	QTY.	DESCRIPTION
1	1	PAD LOCKING HANDLE
2	1	HANDLE HARDWARE (SCREW, WASHERS, NUT AND GASKET)
3	1	CAM
4	1	INTERNAL SPACER
5	1	HEX NUT M10 CTR-LOCK AND FLAT WASHER

**TOOL BOX**

Centre Punch  
Drill, use 886 (22.5mm), .334 (8.5mm) Drill Bits  
Hammer  
10mm and 17mm Socket Wrench  
1 1/16 Open End Wrench  
Tape Measure

