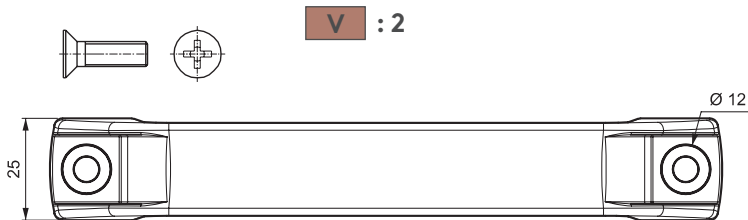
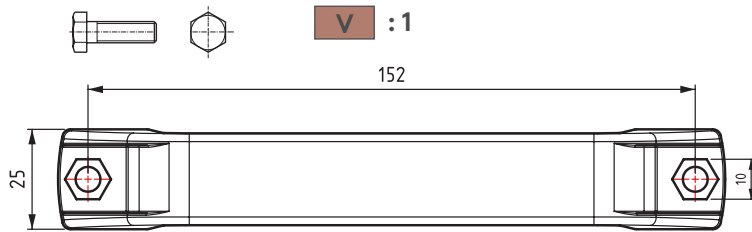
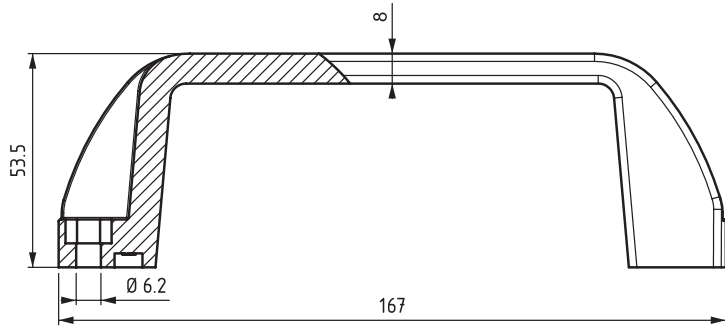




186

COVER HANDLE



- Two different fixing types

APPLICATIONS
Machinery covers

MATERIAL
Polyamide DIN-EN ISO 1043-1
PA 6 GFR 30

PRODUCT CODE

186 - V

GROUP CODE VERSION