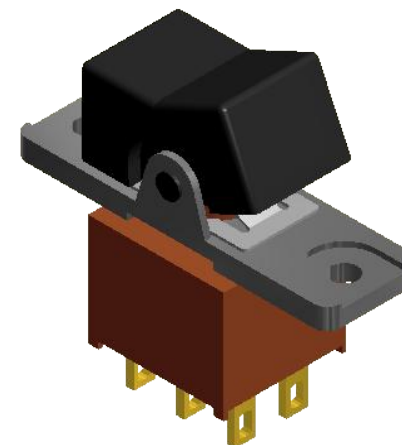
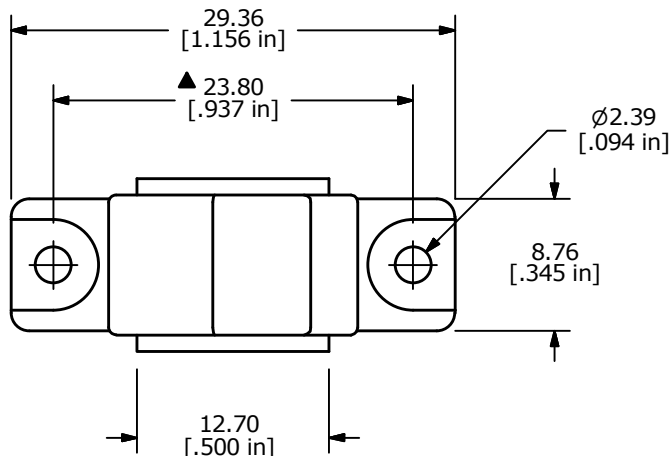
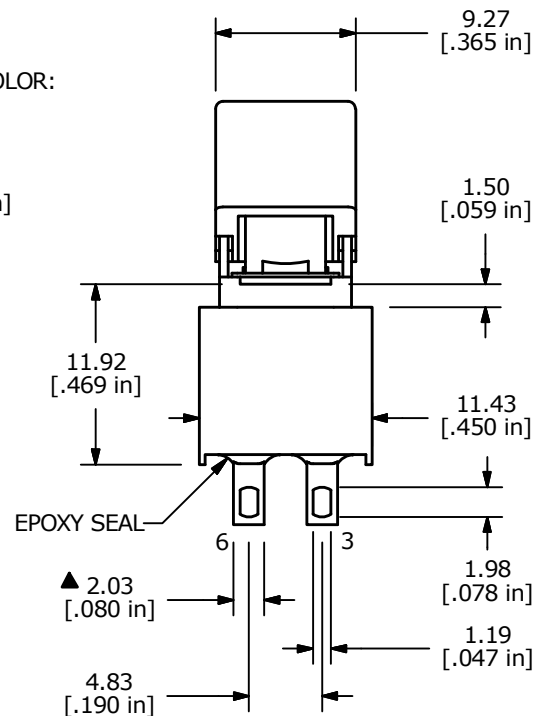
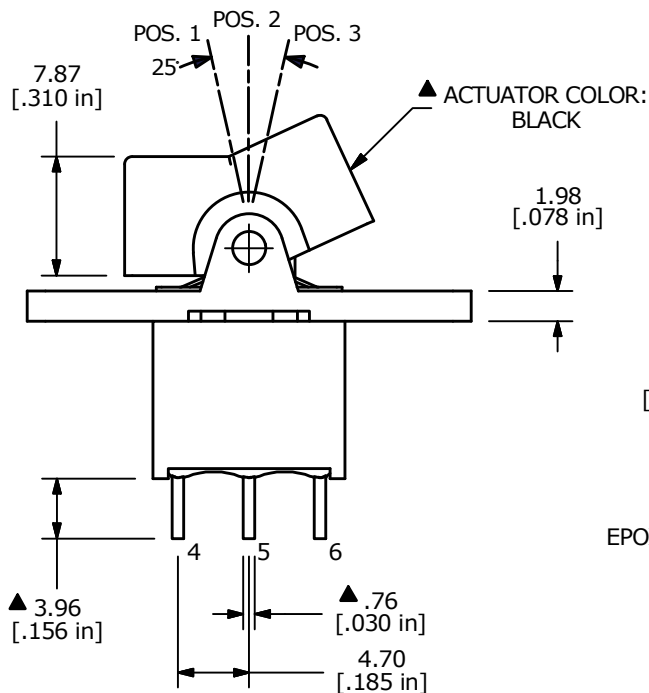
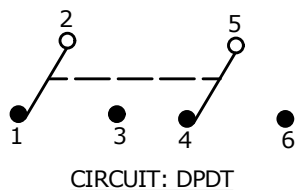


RECOMMENDED PANEL CUTOUT



SWITCH FUNCTION		
POS. 1	POS. 2	POS. 3
(ON)	OFF	(ON)
2-3, 5-6	OPEN	2-1, 5-4

(ON) = MOMENTARY



- NOTE:
1. ALL DIMENSIONS IN MM [INCH]
  2. GENERAL TOLERANCE: X.X=±0.4  
X.XX=±0.25
  3. TERMINAL NUMBERS FOR REF ONLY
  4. PLATING MATERIAL: GOLD
  5. RATING: 0.4 VOLT-AMPS MAX. @20V MAX. AC OR DC
  6. ELECTRIC LIFE: 30,000 MAKE-AND-BREAK CYCLES AT FULL LOAD.
  7. INSULATION RESISTANCE: 1,000 MEGA-OHM MIN.
  8. DIELECTRIC STRENGTH: 1,000 V RMS @SEA LEVEL.
  9. OPERATING TEMP.: -30°C to 85°C
  10. ▲ DENOTES CRITICAL PARAMETER.
  11. 2011/65/EU (ROHS) COMPLAINT



B	22703	UPDATED LAYOUT AND TERMINALS	2/1/17	MJR
A	13035	RELEASED FOR PRODUCTION	4/10/03	AR
REV	PCR NO	DESCRIPTION	DATE	BY

TITLE 300AWDP4R1BLKM1RE				
SCALE 2:1	DATE 4/10/2003	DR AR	DWG T302010	REV B

THE INFORMATION CONTAINED IN THIS DOCUMENT IS PROPRIETARY TO E-SWITCH AND IS NOT TO BE COPIED OR TRANSFERRED