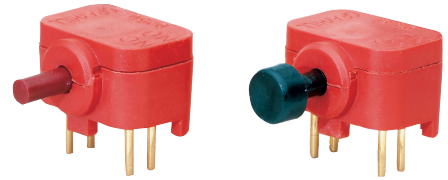


**SERIES 39**  
SPST and SPDT, 1/4 Amp

**FEATURES**

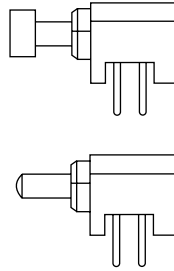
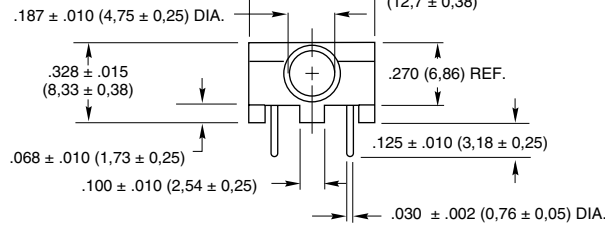
- Fully Protected During Flux Cleaning Operations



**DIMENSIONS** in inches (and millimeters)

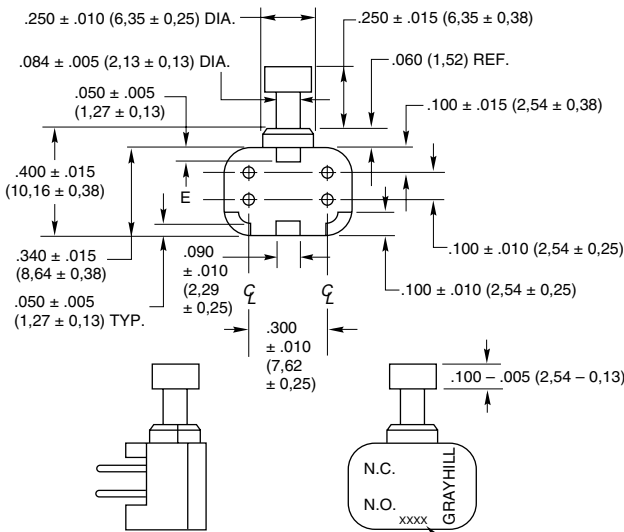
**SPDT-PC Mount**  
**Large Button Style**

39-261\*



Rating at 28 Vdc Resistive	Rating at 115 Vac Resistive	Rating at 220 Vac Resistive	Operations at Rated Load	Partial Part Number
150 mA	1/4 Amp	1/8 Amp	500,000	39-251* 39-261*

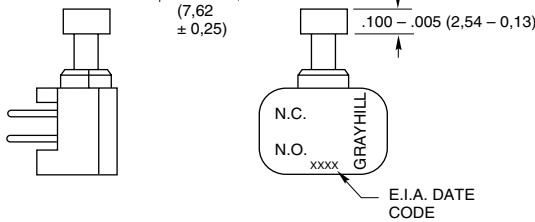
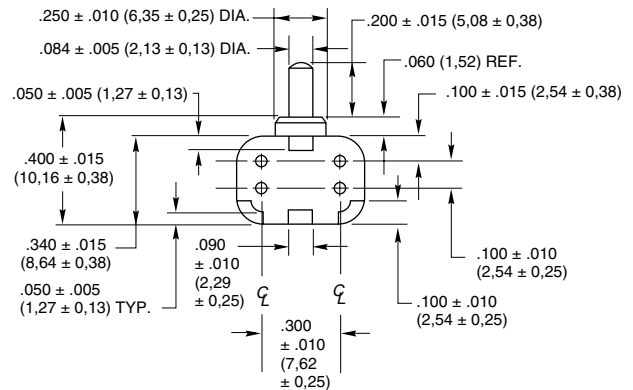
Action	Total Travel	Actuating Force (oz.)
Momentary	.090 + .010/ - .015 (2,29 + 0,25/ - 0,38)	10 ± 3 oz.



**Small Button Style**

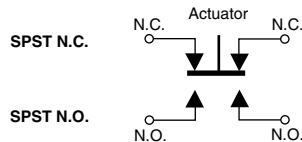
39-251\*

END OF BUTTON HAS A .200 (5,08) SPHERICAL RADIUS

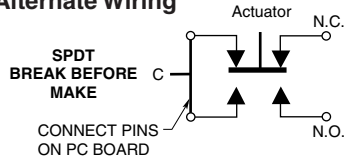


**CIRCUITRY**

**2 Circuits Per Switch**



**Alternate Wiring**



**SPECIFICATIONS**

**Rating Criteria**

**Contact Resistance:** 25 milliohms maximum on a new switch

**Voltage Breakdown:** 1,000 Vac between mutually insulated parts

**Insulation Resistance:** 1,000 megohms minimum

**Operating Temperature:** -40°C to +125°C

**Materials and Finishes**

**Button:** Nylon

**Base and Cover:** Polyester, red in color

**Shorting Bar:** Phosphor bronze, gold-plated over nickel

**Terminals:** Brass, gold-plated over nickel

**Spring:** Tinned music wire

**O-Ring:** Fluorosilicone

**ORDERING INFORMATION**

*Complete Part Number	Description
39-251 RED	Small Red Button, SPDT
39-251 BLK	Small Black Button, SPDT
39-261 RED	Large Red Button, SPDT
39-261 BLK	Large Black Button, SPDT