

REVISION E
REVISED AND
REDRAWN ON
CAD/CAM
01/02/92 HA

REVISION F
TEMECULA
WAS CARSON
05/12/98 TS

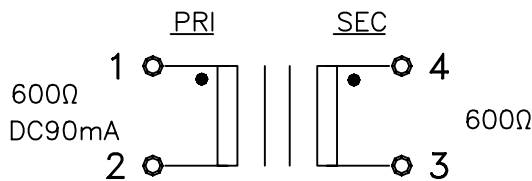
FCC68 DIRECT CONNECT TELEPHONE COUPLING TRANSFORMER 600:600

A. Electrical Specifications (@ 25° C)

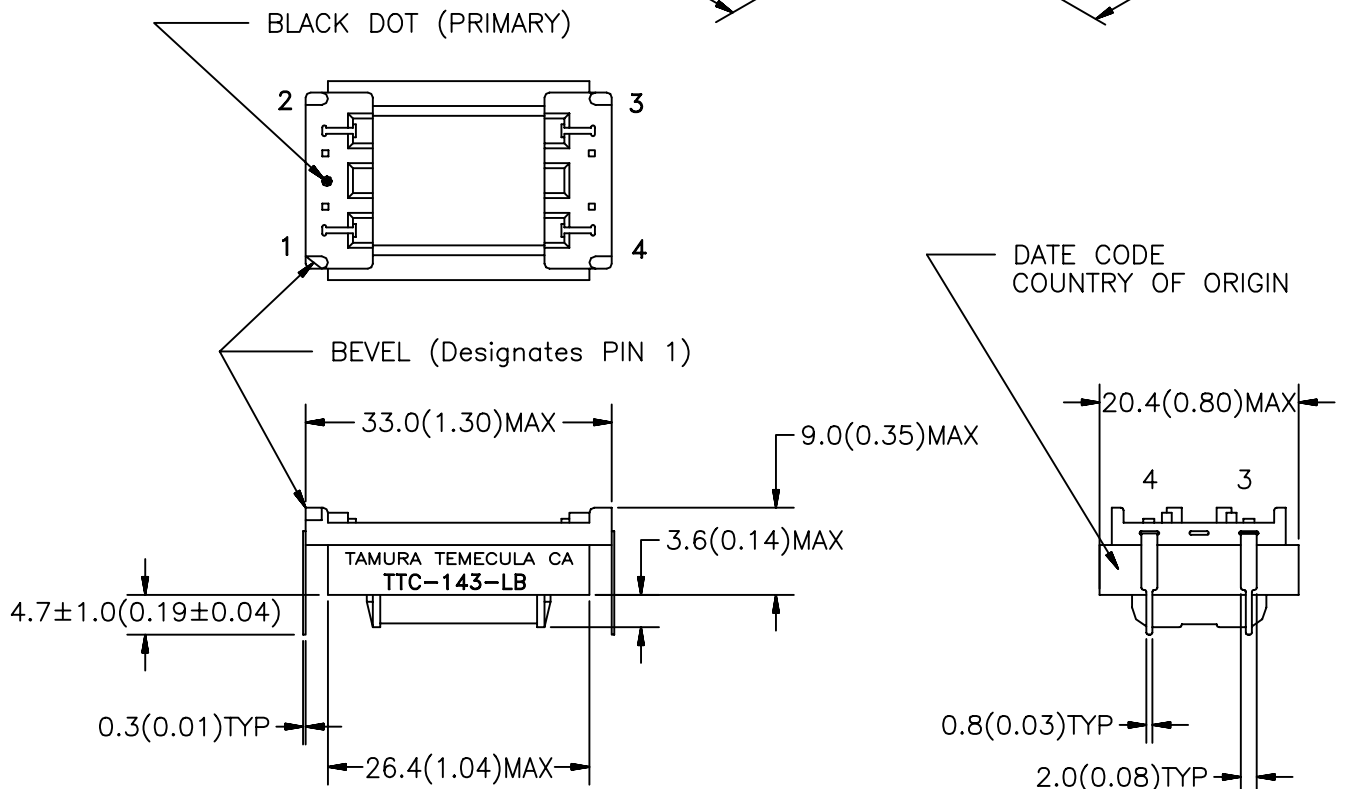
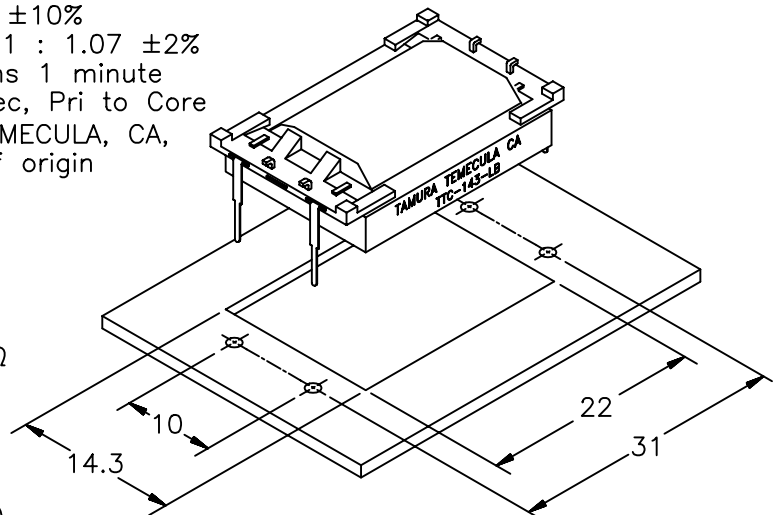
1. Pri Source Impedance; 600 Ω
2. Sec Load Impedance; 600 Ω
3. Pri DC Unbalance Current; 90mA
4. Operating Level; -45dBm to +10dBm
5. Insertion Loss; 1.8dB MAX @ 1800Hz 0dBm & DC90mA
6. Frequency Response;
 - +0.2dB, -1.1dB @ 500-3500Hz 0dBm & DC90mA (relative to 1800Hz)
 - +0.2dB, -2.5dB @ 300-3500Hz 0dBm & DC90mA (relative to 1800Hz)
7. Pri Impedance; 600 Ω ±20% @ 500-1800Hz 0dBm & DC90mA
8. Pri Return Loss; 14dB MIN @ 1800Hz 0dBm & DC90mA
9. Longitudinal Balance; 60dB MIN @ 200-4000Hz
10. Total Harmonic Distortion; 0.5% MAX @ 300-3500Hz 0dBm & DC90mA
11. DC Resistance; (1-2) = 85 Ω ±10%
(3-4) = 110 Ω ±10%
12. Turns Ratio; (1-2) : (3-4) = 1 : 1.07 ±2%
13. Dielectric Strength; AC 1500Vrms 1 minute
@ Pri to Sec, Pri to Core

B. Marking; TTC-143-LB, TAMURA TEMECULA, CA,
Date Code & Country of origin

C. Schematic Diagram



D. Mechanical Specifications



TOLERANCES (mm)
≤ 4 ± 0.2
4 ≤ 20 ± 0.3
20 ≤ 50 ± 0.4

PREPARED BY:

D. Kelley
ENGINEER:
T. Shiozawa
QUALITY CONTROL:
D. Kelley
APPROVED:
D. Suzuki

Note: Pin Material: Solder plated copper pin

DRAWING CONTROL NO.	REV	MODEL DESCRIPTION	MODEL SPECIFICATION
P-A1-10316 ACAD\TTC\A1103161.DWG	F	DIRECT CONNECT TELEPHONE COUPLING TRANSFORMER	TTC-143-LB
TAMURA CORPORATION OF AMERICA 43352 BUSINESS PARK DRIVE, TEMECULA, CA. 92590-6624 (909) 699-1270 FAX 9096769482			DIM: mm(In) SCL: NONE SH: 1 OF 1
PROPRIETARY NOTICE: THIS DRAWING PRINT OR DOCUMENT AND SUBJECT MATTER DISCLOSED HEREIN ARE PROPRIETARY ITEMS TO WHICH TAMURA RETAINS THE EXCLUSIVE RIGHT OF DISSEMINATION, REPRODUCTION, MANUFACTURE AND SALE. THIS DRAWING, PRINT OR DOCUMENT IS SUBMITTED IN CONFIDENCE FOR CONSIDERATION BY THE RECIPIENT ALONE UNLESS PERMISSION FOR FURTHER DISCLOSURE IS EXPRESSLY GRANTED IN WRITING.			

MODEL NUMBER
TTC-143-LB