

4

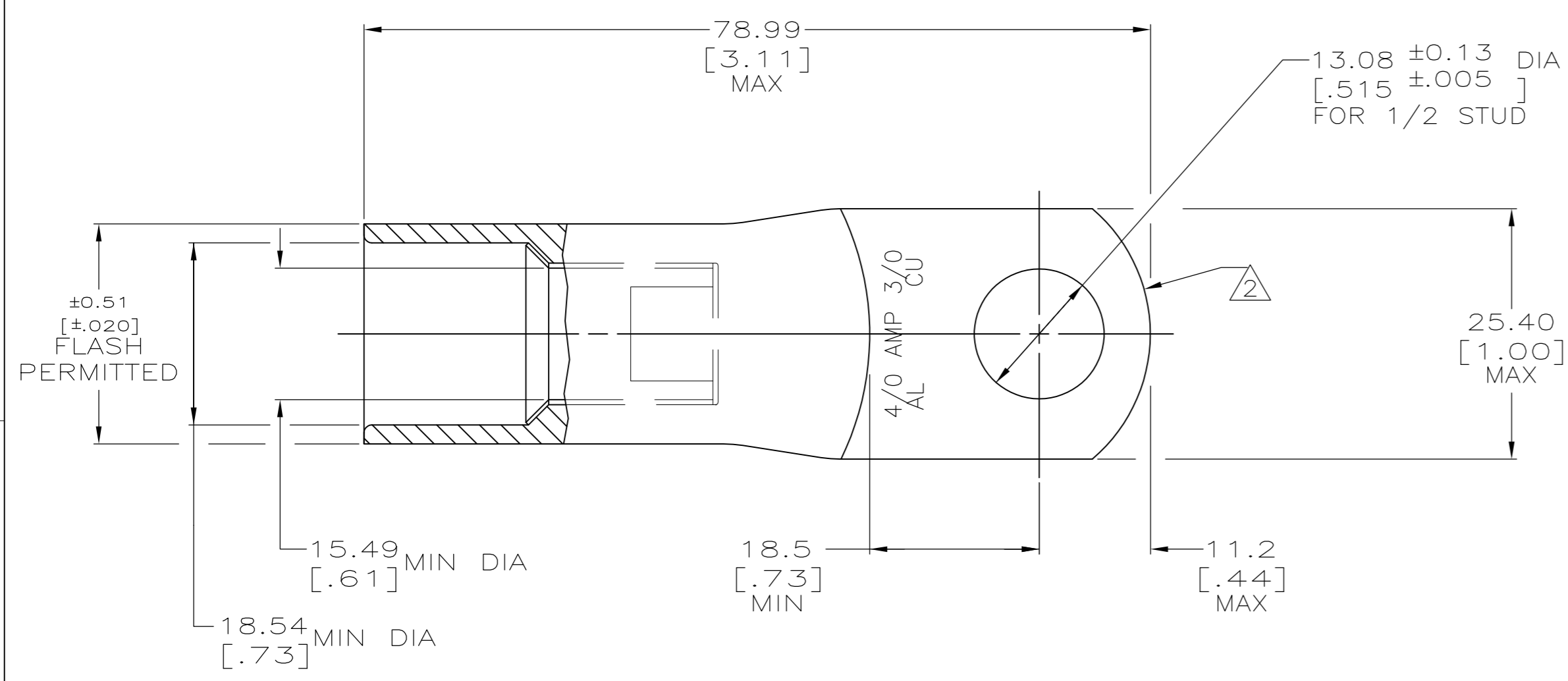
3

2

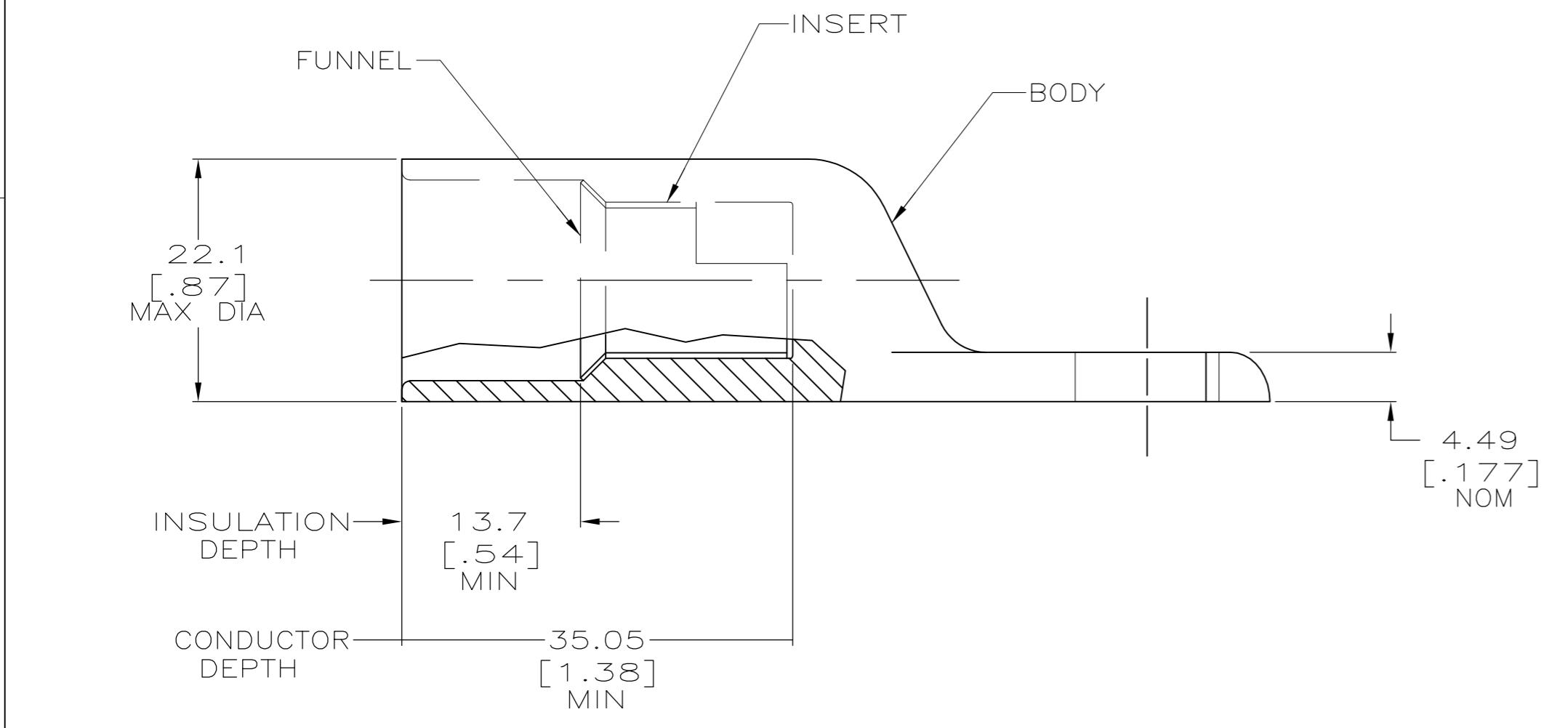
1

THIS DRAWING IS UNPUBLISHED. RELEASED FOR PUBLICATION
 © COPYRIGHT BY TYCO ELECTRONICS CORPORATION. ALL INTERNATIONAL RIGHTS RESERVED.

LOC		DIST		REVISIONS			
P	LTR	DESCRIPTION	DATE	DWN	APVD		
G	86						
	A1	REV PER ECR 08-024239	25SEPT08	JR	CK		



- 1 WIRE INSULATION: 14.98–17.27 [.590–.680] DIA
- 2 THE TONGUE RADIUS FEATURE IS NOT A TOOLING CONTROLLED DIMENSION AND MAY NOT BE A TRUE RADIUS.



INSERT & FUNNEL: BRASS PER ASTM B36
 NICKEL PL 0.00254 [.000100] MIN THK PER QQ-N-290

BODY: COPPER ASTM-B187 ANNEALED
 TIN PL 0.00381 [.000150] MIN THK PER MIL-T-10727

184113-1

MATERIAL & FINISH

PART NO.

THIS DRAWING IS A CONTROLLED DOCUMENT.		DWN DK SCHRUM 02NOV94	Tyco Electronics Corporation Harrisburg, PA 17105-3608	
DIMENSIONS: MM [INCHES]		CHK WJ VOCKROTH 03NOV94		
TOLERANCES UNLESS OTHERWISE SPECIFIED:		APVD JL MECKLEY 03NOV94	NAME WIRE TERMINAL, RING TONGUE, COPALUM	
0 PLC ± -		PRODUCT SPEC 108-11011	SIZE CAGE CODE DRAWING NO RESTRICTED TO	
1 PLC ± -		APPLICATION SPEC 114-2134	SCALE 2:1 SHEET 1 of 1 REV A1	
2 PLC ± -		WEIGHT 98 GRAMS		
3 PLC ± -		CUSTOMER DRAWING		
4 PLC ± -				
ANGLES ± -				
FINISH SEE TABLE				