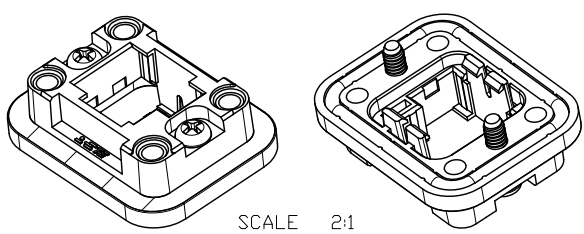
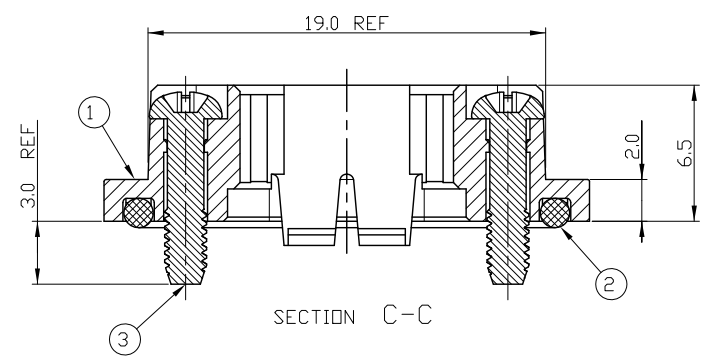
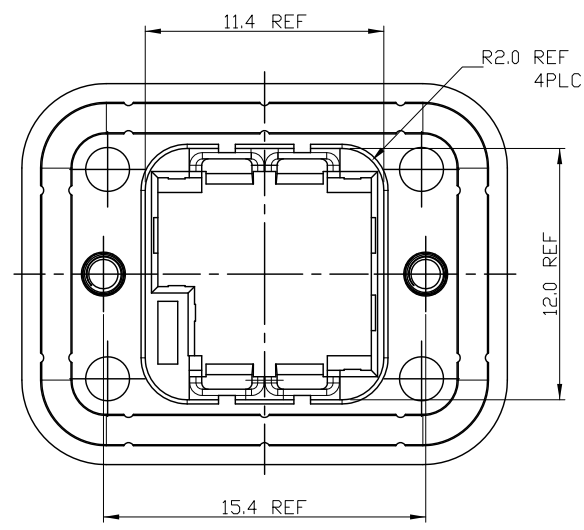
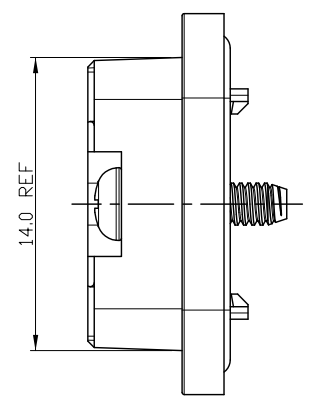
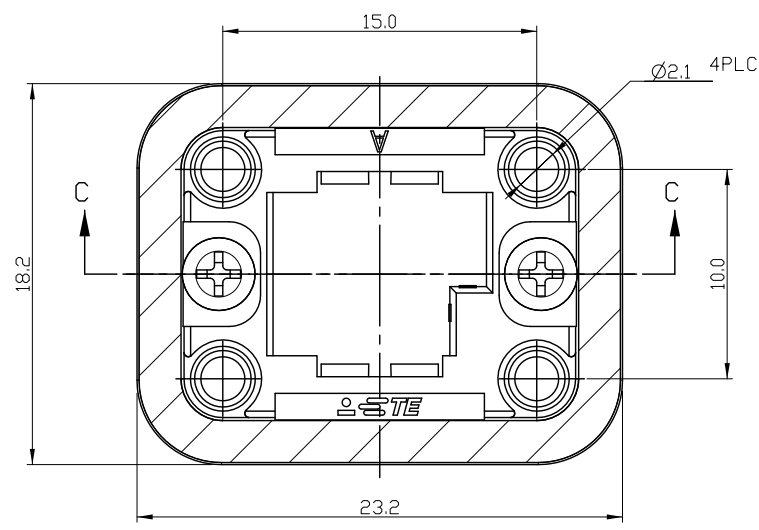


THIS DRAWING IS UNPUBLISHED. RELEASED FOR PUBLICATION 20  
 © COPYRIGHT 20 BY - ALL RIGHTS RESERVED.

LOC	DIST	REVISIONS			
P	LTR	DESCRIPTION	DATE	DWN	APVD
DS	-	B	REVISED PER ECR-13-000460	21JAN'13	SC JK



ITEM	DESCRIPTION	MATERIAL	FINISH	COLOR	Q'TY	P/N
③	SCREW(M2) FOR ENCODER 9P BASE	STEEL	ZINK PL	BLACK	2	2108418-1
②	SEAL FOR ENCODER 9P BASE	SILICON	-	ORANGE	1	
①	ENCODER 9P BASE HSG	PA66 GF20,UL94 V-0	-	BLACK	1	

THIS DRAWING IS A CONTROLLED DOCUMENT.		DWN SC KIM			
DIMENSIONS: mm		CHK BW KANG			
TOLERANCES UNLESS OTHERWISE SPECIFIED:		APVD JK SONG			
		PRODUCT SPEC 108-61148			
MATERIAL	SEE TABLE	FINISH	SEE TABLE	WEIGHT	1.87g
CUSTOMER DRAWING			SCALE	4:1	SHEET 1 OF 1
			RESTRICTED TO	-	REV B