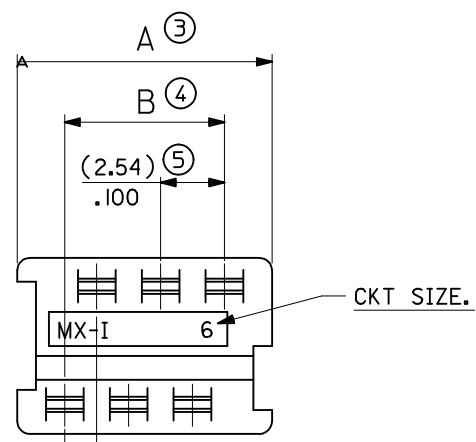


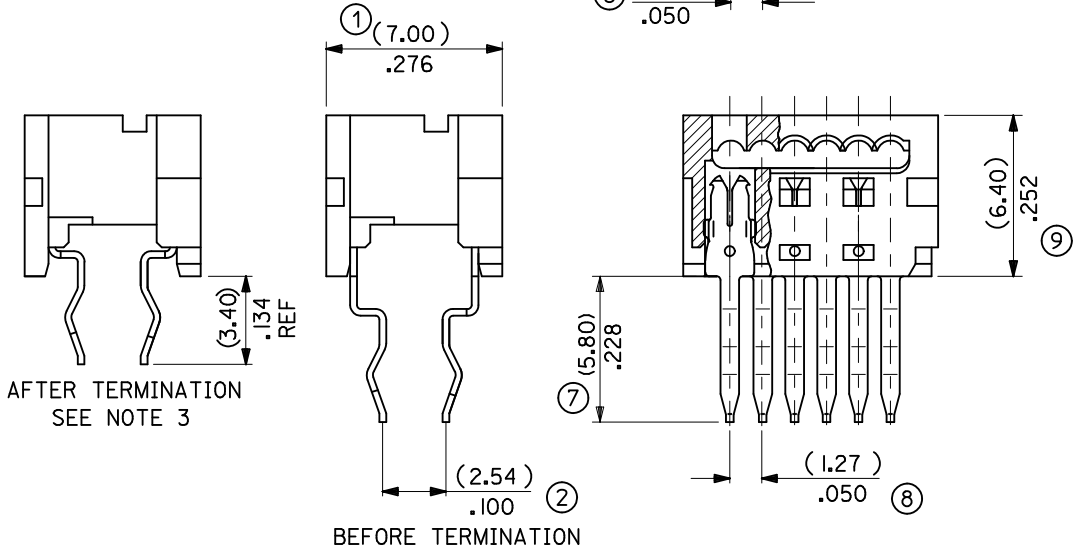
90584	-**26	26	(35.53)/1.399	(31.75)/1.250	(30.48)/1.200	14	98	7
	-**24	24	(32.99)/1.299	(29.21)/1.150	(27.94)/1.100	15	105	
	-**22	22	(30.45)/1.199	(26.67)/1.050	(25.40)/1.000	16	112	
	-**20	20	(27.91)/1.099	(24.13)/.950	(22.86)/.900	18	126	
	-**18	18	(25.37)/.999	(21.59)/.850	(20.32)/.800	20	140	
	-**16	16	(22.83)/.899	(19.05)/.750	(17.78)/.700	23	161	
	-**14	14	(20.29)/.799	(16.51)/.650	(15.24)/.600	26	182	
	-**12	12	(17.75)/.699	(13.97)/.550	(12.70)/.500	30	210	
	-**10	10	(15.21)/.599	(11.43)/.450	(10.16)/.400	34	238	
	-**08	8	(12.67)/.499	(8.89)/.350	(7.62)/.300	42	294	
	-**06	6	(10.13)/.399	(6.35)/.250	(5.08)/.200	54	378	
90584	-**04	4	(7.59)/.299	(3.81)/.150	(2.54)/.100	70	490	7
PART NO.	CCT SIZE	DIMENSION A	DIMENSION B	DIMENSION C	TUBE QTY	STACK QTY	TUBES PER STACK	



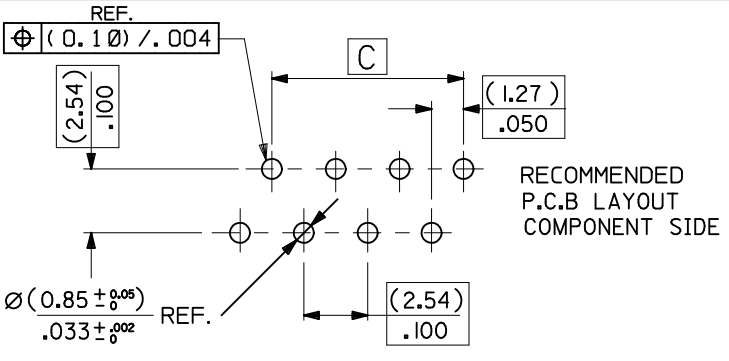
**HOUSING**  
MATL. POLYESTER, RATED UL 94V-0, COLOUR WHITE.

**IDT CONTACT**  
MATL : PHOSPHOR BRONZE (0.28)/.011 REF THICK.  
PLATING : (2-4um) / 80-160u" TIN

- NOTES:**
1. APPL. CLASS TO DIN 40040 HME (-25°C/+100°C)
  2. SEE PRODUCT SPECIFICATION PS-99020-0011
  3. WIRE TERMINATION SPEC : ES-99033-0002



- 90584- \* \* \* \*
- 04 TO 26 = CKT SIZE.
  - 3= NO CIRCUITS VOIDED.
  - 4= CIRCUITS 4 & 5 VOIDED.
  - 1= INDIVIDUAL TUBED ASSY
  - 2= STACKED TUBED ASSY - SEE SHEET 2
  - 9= NON STANDARD OPTION - SEE SHEET 3



CORRECTED TOLERANCE EC NO: E2011-0043	QUALITY SYMBOLS ▽=0 ▽=0	GENERAL TOLERANCES (UNLESS SPECIFIED)		DIMENSION STYLE MM/IN	SCALE 5:1	DESIGN UNITS METRIC	THIRD ANGLE PROJECTION	
		4 PLACES ± --- ± ---	3 PLACES ± --- ± .010	2 PLACES ± 0.25 ± ---	1 PLACE ± --- ± ---	ANGULAR ± 2 °	DRAWN BY DMCNAMAR	DATE 2003/09/01
DRWN:DBYRNES 2010/07/19	CHKD:BMAGUIRE 2003/09/01	APPR:EFOLAN 2010/07/29	DRAFT WHERE APPLICABLE MUST REMAIN WITHIN DIMENSIONS		APPROVED BY MWILHITE	DATE 2003/09/01	MATERIAL NO. SDA-90584	SHEET NO. 1 OF 3
MATERIAL NO. SDA-90584				MOLEX INCORPORATED		THIS DRAWING CONTAINS INFORMATION THAT IS PROPRIETARY TO MOLEX INCORPORATED AND SHOULD NOT BE USED WITHOUT WRITTEN PERMISSION		

10 9 8 7 6 5 4 3 2 1

F F

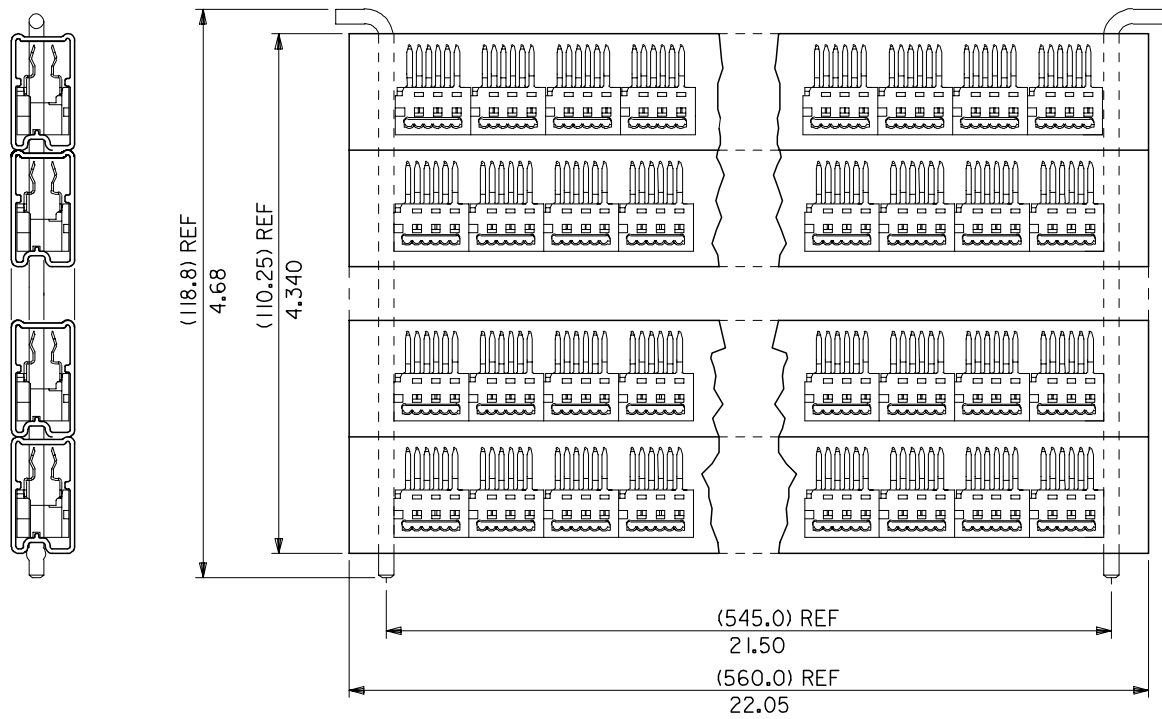
E E

D D

C C

B B

A A



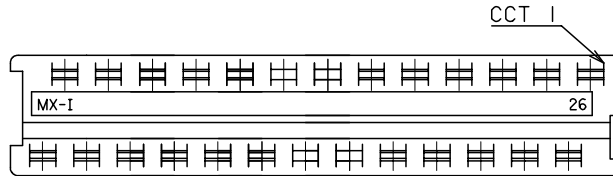
STACKED TUBED ASSEMBLY

<b>REVISION UPDATE</b> EC NO: E2005-1027 DRAWN:GMSWEEN 2005/05/10 CHKD:DMORIARTY 2005/05/10 APPR: JDENNEHY 2005/05/26	<b>QUALITY SYMBOLS</b>  	<b>GENERAL TOLERANCES (UNLESS SPECIFIED)</b>		<b>DIMENSION STYLE</b> MM/IN	<b>SCALE</b> NTS	<b>DESIGN UNITS</b> METRIC	<b>THIRD ANGLE PROJECTION</b>		
		4 PLACES ± --- ± ---	3 PLACES ± --- ± .010	DRAWN BY PW	DATE 1994/02/25	<b>TITLE</b> 1.27MM PF LOW PRO IDT BOARD-IN CONNECTOR			
		2 PLACES ± 0.25 ± ---	1 PLACE ± --- ± ---	CHECKED BY DMORIARTY	DATE 2005/05/06	<b>MOLEX INCORPORATED</b>			
		ANGULAR ± 2 °		APPROVED BY JDENNEHY	DATE 2005/05/10	MATERIAL NO.	DOCUMENT NO. SDA-90584	SHEET NO. 2 OF 3	
DRAFT WHERE APPLICABLE MUST REMAIN WITHIN DIMENSIONS		SEE SHEET 1		THIS DRAWING CONTAINS INFORMATION THAT IS PROPRIETARY TO MOLEX INCORPORATED AND SHOULD NOT BE USED WITHOUT WRITTEN PERMISSION					

9 8 7 6 5 4 3 2 1

10 9 8 7 6 5 4 3 2 1

90584-9001	26	(35.53)/ 1.399	(31.75)/ 1.250	(30.48)/ 1.200	12, 13, 14, 15	14	98	7
PART NO.	CCT SIZE	DIMENSION A	DIMENSION B	DIMENSION C	VOIDED POSITIONS	TUBE QTY	STACK QTY	TUBES PER STACK



**NOTES:**

1. SEE SHEET ONE FOR ALL DIMENSIONS AND NOTES

NON STANDARD OPTION

<b>REVISION UPDATE</b> EC NO: E2005-1027 DRAWN: GMSWEEN 2005/05/10 CHKD: DMOR IARTY 2005/05/10 APPR: JDENNEHY 2005/05/26	QUALITY SYMBOLS =0 =0	GENERAL TOLERANCES (UNLESS SPECIFIED)		DIMENSION STYLE MM/IN		SCALE 5:1	DESIGN UNITS METRIC	THIRD ANGLE PROJECTION			
		4 PLACES ± --- ± ---	3 PLACES ± --- ± .010	DRAWN BY KD	DATE 2001/01/31	TITLE 1.27MM PF LOW PRO IDT BOARD-IN CONNECTOR					
		2 PLACES ± 0.25 ± ---	1 PLACE ± --- ± ---	CHECKED BY DMOR IARTY	DATE 2005/05/06	MOLEX INCORPORATED					
		ANGULAR ± 2 °		APPROVED BY JDENNEHY	DATE 2005/05/10	MATERIAL NO.		DOCUMENT NO. SDA-90584	SHEET NO. 3 OF 3		
DRAFT WHERE APPLICABLE MUST REMAIN WITHIN DIMENSIONS		SEE CHART		THIS DRAWING CONTAINS INFORMATION THAT IS PROPRIETARY TO MOLEX INCORPORATED AND SHOULD NOT BE USED WITHOUT WRITTEN PERMISSION							

9 8 7 6 5 4 3 2 1