

LC Series



UL Recognized CSA Certified

Capacitance components enhance the filtering performance in the LC models. Available with block or sleeve inductance, the additional chip capacitors provide additional filtering on each line. The series features shields with a board ground or spring finger panel interface.

Specifications

Contacts

Material:	Phosphor bronze
Plating:	50 microinches gold
Barrier underplating:	100 microinches nickel
Resistance:	
Initial:	20 milliohms maximum
After durability testing (500 mating cycles):	30 milliohms maximum

Capacitors

Type:	Monolithic ceramic chip
Standard value	820 pF
Standard tolerance	-20%

Ferrites

Type:	High resistivity, nickel zinc ceramic
Sleeves:	Single-aperture cylinders
Block:	Multi-aperture rectangular prism

Shield Material

Solder-plated copper alloy

Housing Material

Glass-filled polyester (UL94V-O)

Dielectric Withstanding Voltage

Line-to-line and line-to-ground	1000 VAC for 60 seconds
---------------------------------	----------------------------

Printed Circuit Board Retention

Before soldering:	1 lb. minimum
After soldering:	20 lb. minimum



Typical insertion loss in dB:

Line-to-ground (stop band) in a 50 ohm circuit

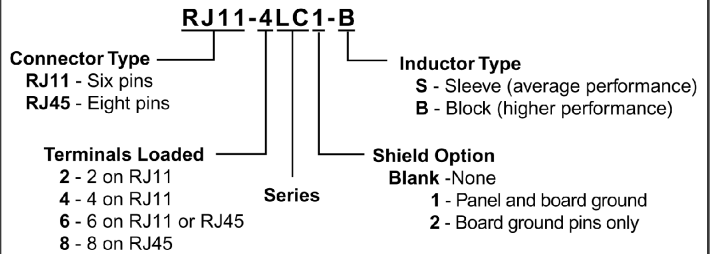
	Frequency-MHz						
	30	60	80	100	200	500	1000
Ferrite Sleeves	28	40	51	40	27	24	22
Ferrite Blocks	30	41	59	40	31	28	24

Line-to-line (pass band) in a 50 ohm circuit

	Frequency-MHz						
	2	5	10	30	50	70	100
Ferrite Sleeves	-	4	8	18	24	30	40
Ferrite Blocks	1	8	11	21	28	33	37

Ordering Information

Consult your local Corcom sales representative for pricing.

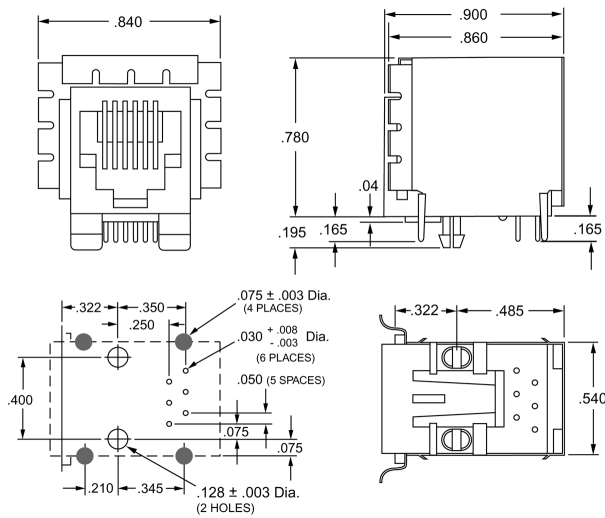


Available Part Numbers

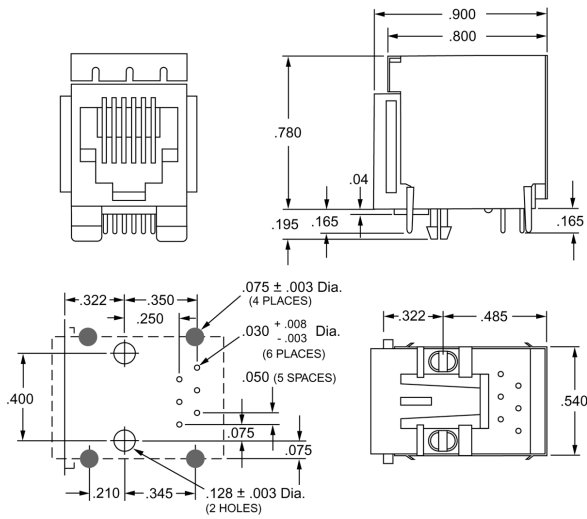
RJ11-2LC1-S	RJ11-6LC2-S
RJ11-2LC1-B	RJ11-6LC2-B
RJ11-2LC2-S	RJ45-6LC1-S
RJ11-2LC2-B	RJ45-6LC1-B
RJ11-4LC1-S	RJ45-6LC2-S
RJ11-4LC1-B	RJ45-6LC2-B
RJ11-4LC2-S	RJ45-8LC1-S
RJ11-4LC2-B	RJ45-8LC1-B
RJ11-6LC1-S	RJ45-8LC2-S
RJ11-6LC1-B	RJ45-8LC2-B

Model Dimension and PC Board Layouts

RJ11 (Style 1 Shield)

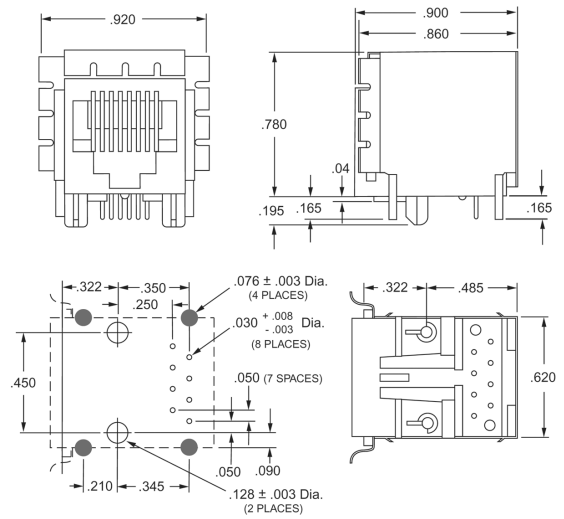


RJ11 (Style 2 Shield)



Model Dimension and PC Board Layouts

RJ45 (Style 1 Shield)



RJ45 (Style 2 Shield)

