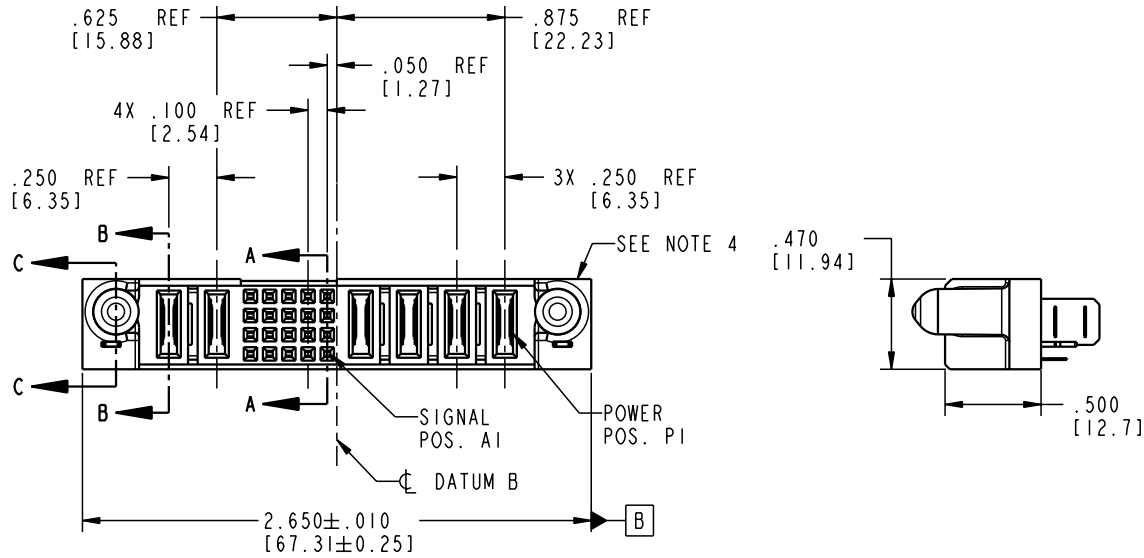


Tous droits strictement réservés. Reproduction ou communication o des liers interdite sous quelque forme que ce soit sans autorisation écrite du propriétaire. Propriete de c FCI. Droits de reproduction FCI.

All rights strictly reserved. Reproduction or issue to third parties in any form, whenever is not permitted without written authority from the proprietor. Property of FCI. Copyright FCI.

PRODUCT NO.	ROWS	POWER		SIGNAL				POWER				E1					
		E2	P6	P5	5	4	3	2	1	P4	P3		P2	P1			
51940-098	D C B A		PM	PM	F	F	F	F	F	F	F	F	F	F	F	F	



CODE	DIM "M" MATING LENGTH	CONTACT TYPE
F	N/A [N/A]	SIGNAL
PM	.042 [1.07]	POWER
HA	N/A [N/A]	HOLD-DOWN

mat'l code				SEE NOTE 2		tolerances unless otherwise specified		CUSTOMER		 www.fciconnect.com	
ltr	ecn no.	dr	date	linear	.XX±.01/0.X±0.3		COPY		 title 4P + 20S + 2P VERT. P-F RCPT. FOR BUS-BAR ATTACH.		
A	V04-0792	TAB	08/03/04		.XXX±.005/0.XXX±0.13		projection				
					angles	.XXX±.0020/0.XXX±0.051		 product family PwrBlade code 213			
				dr	T. BRUNGARD	08/03/04	INCH/MM		size	dwg no	sheet
				engr	M. GRAY	08/03/04	scale		A	51940-098	1 of 4
				chr	M. GRAY	08/03/04	1:1				
				appd	M. GRAY	08/03/04					
sheet index	revision sheet	A	A	A	A						
		1	2	3	4						

Pro/E

cage code 22526

PDM: Rev:A

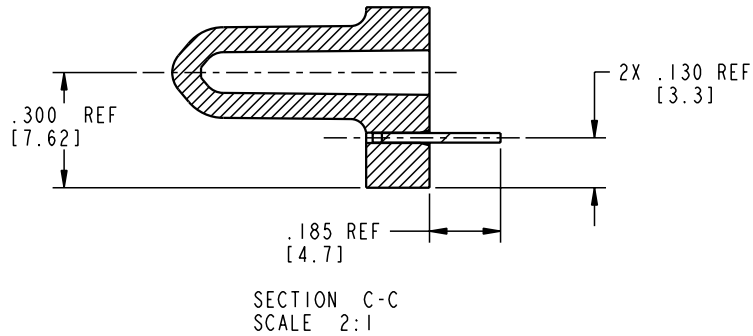
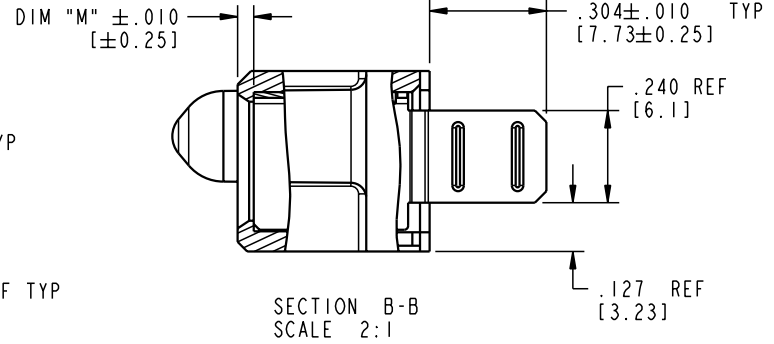
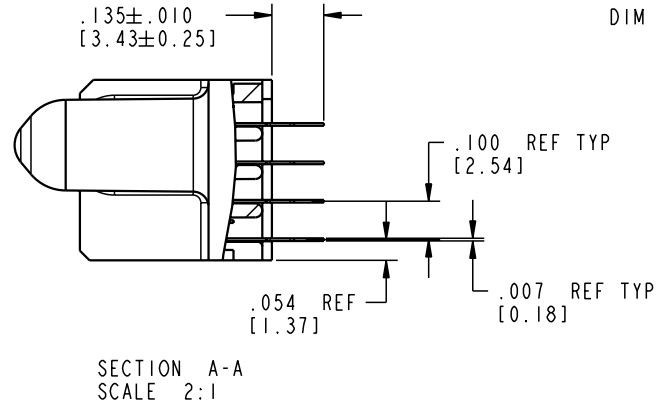
STATUS: Released

Printed: Dec 20, 2010

Tous droits strictement reserves. Reproduction ou communication a des tiers interdite sous quelque forme que ce soit sans autorisation écrite du propriétaire. Propriete de c FCI. Droits de reproduction FCI.

All rights strictly reserved. Reproduction or issue to third parties in any form whatever is not permitted without written authority from the proprietor. Property of FCI. Copyright FCI.

PRODUCT NUMBER
51940-098



mat'l code				SEE NOTE 2		tolerances unless otherwise specified		CUSTOMER		 www.fciconnect.com		
ltr	ecn no.	dr	date	linear	.XX ± .01/0.X ± 0.3		COPY		 title 4P + 20S + 2P VERT. P-F RCPT. FOR BUS-BAR ATTACH.			
A					.XXX ± .005/0.XX ± 0.13		projection					
					angles	.XXX ± .0020/0.XX ± 0.051		 INCH/MM		product family		
						° ± 2°		scale		PwrBlade		code
				dr	T. BRUNGARD	08/03/04	1:1		size		213	
				enr	M. GRAY	08/03/04			dwg no		sheet	
				chr	M. GRAY	08/03/04			A		51940-098	2 of 4
				appd	M. GRAY	08/03/04						
sheet index		revision sheet										

Pro/E

cage code 22526

PDM: Rev:A

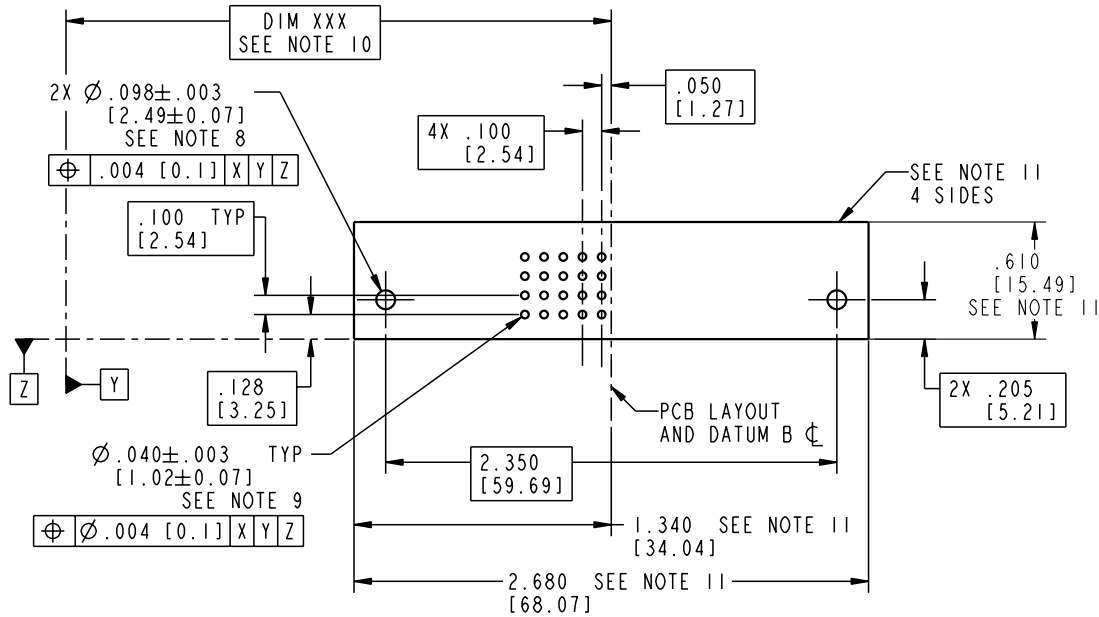
STATUS: Released


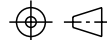

Printed: Dec 20, 2010

Tous droits strictement réservés. Reproduction ou communication o des tiers interdite sous quelque forme que ce soit sans autorisation écrite du propriétaire. Propriete de c FCI. Droits de reproduction FCI.

All rights strictly reserved. Reproduction or issue to third parties in any form, whenever is not permitted without written authority from the proprietor. Property of FCI. Copyright FCI.

PRODUCT NUMBER
51940-098



mat'l code				SEE NOTE 2		tolerances unless otherwise specified		CUSTOMER		 www.fciconnect.com	
ltr	ecn no.	dr	date	linear	.XX±.01/0.X±0.3		COPY		 INCH/MM	title	
A					.XXX±.005/0.XX±0.13		projection			4P + 20S + 2P VERT. P-F RCPT. FOR BUS-BAR ATTACH.	
					.XXX±.0020/0.XXX±0.051		 scale			product family	
				angles	0° ± 2°		dr T. BRUNGARD 08/03/04 engr M. GRAY 08/03/04 chr M. GRAY 08/03/04 appd M. GRAY 08/03/04		PwrBlade		
sheet index		revision sheet				scale		A		code	
						1:1		51940-098		213	
								3 of 4			

Pro/E

cage code 22526

PDM: Rev:A

STATUS: Released

Printed: Dec 20, 2010

Tous droits strictement réservés. Reproduction ou communication o des tiers interdite sous quelque forme que ce soit sans autorisation écrite du propriétaire. Propriete de c FCI. Droits de reproduction FCI.

A
FCI

All rights strictly reserved. Reproduction or issue to third parties in any form, whatever is not permitted without written authority from the proprietor. Property of FCI. Copyright FCI.

A

B

PRODUCT NUMBER
51940-098

NOTES:

1. DIMENSIONS AND TOLERANCES ARE IN ACCORDANCE WITH ASME Y14.5M, 1994 UNLESS OTHERWISE SPECIFIED.

CONNECTOR NOTES:


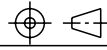
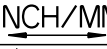
- ② HOUSING MATERIAL: UL 94 V-0 GLASS FILLED
HIGH-TEMP THERMOPLASTIC
POWER CONTACT MATERIAL: COPPER ALLOY
SIGNAL PIN MATERIAL: COPPER ALLOY
- 3. PLATING:
SIGNAL PINS: 30u"/0.76um Au OVER 50u"/1.27um Ni
POWER CONTACTS: 50u"/1.27um Ni UNDER ALL WITH 30u"/0.76um Au ON CONTACT AREA AND SnPb ON PCB INTERFACE
- ④ MANUFACTURER'S NAME, P/N, AND DATE CODE TO APPEAR ON THIS SURFACE.
- 5. PRODUCT SPECIFICATION GS-12-149.
APPLICATION SPECIFICATION BUS-20-067.
- 6. PACKAGED IN TRAYS.

PCB NOTES:
7. ALL HOLE DIAMETERS ARE FINISHED HOLE SIZE.
- ⑧ MOUNTING HOLES, WHERE APPLICABLE, ARE UNPLATED.
- ⑨ $\varnothing .0453 \pm .0010$ [1.151 ± 0.025] DRILLED HOLES PLATED WITH .0003 [0.008] MIN SnPb OVER .001 [0.03] TO .003 [0.08] Cu PLATING TO ACHIEVE $\varnothing .040 \pm .003$ [1.02 ± .07] HOLE.
- ⑩ "DIM XXX" TO BE DETERMINED BY THE CUSTOMER.
- ⑪ CONNECTOR KEEP-OUT ZONE.
- 12. POWER CONTACTS ARE DESIGNED TO MATE WITH A .0625" [1.59mm] THICK BUS-BAR. ONCE MATED, CONTACT CLIP MUST BE INSTALLED.

1 | 2

3 |

4

mat'l code				SEE NOTE 2		tolerances unless otherwise specified		CUSTOMER		 www.fciconnect.com	
ltr	ecn no.	dr	date	linear	.XX ± .01/0.X ± 0.3		COPY		 projection	title	
A					.XXX ± .005/0.XX ± 0.13		 INCH/MM			4P + 20S + 2P VERT. P-F RCPT. FOR BUS-BAR ATTACH.	
					.XXX ± .0020/0.XX ± 0.051		product family PwrBlade			code 213	
				angles	° ± 2°		scale		size	dwg no	sheet
				dr	T. BRUNGARD	08/03/04	1:1		A	51940-098	4 of 4
				engr	M. GRAY	08/03/04					
				chr	M. GRAY	08/03/04					
				appd	M. GRAY	08/03/04					
sheet index	revision sheet										

1 | 2

Pro/E

3 |

cage code **22526**

4

PDM: Rev:A

STATUS: **Released**

Printed: Dec 20, 2010

A

B