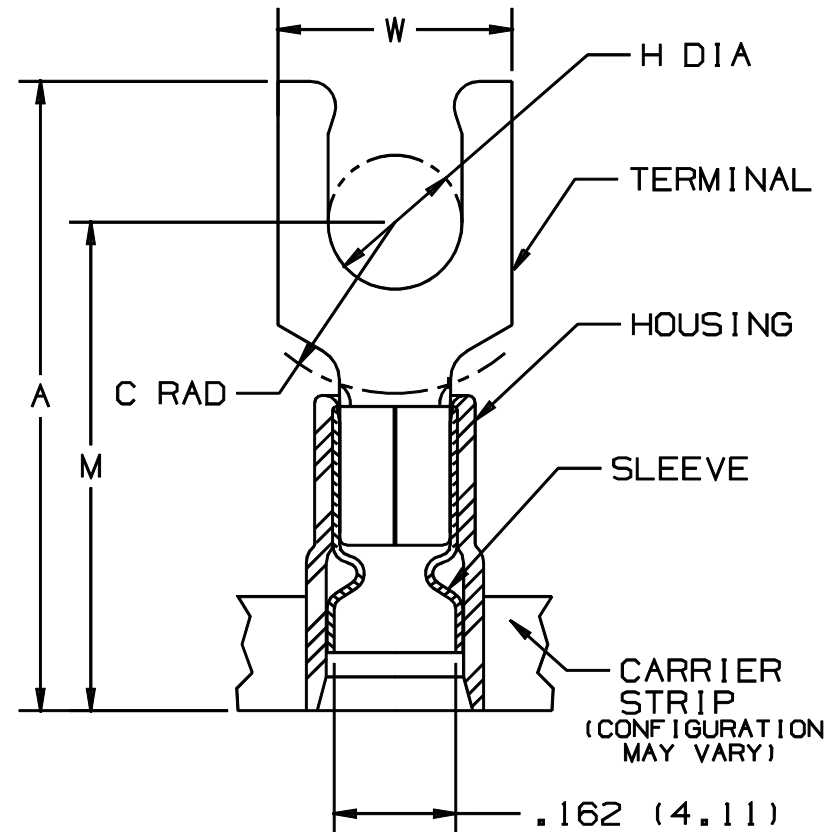


THIS COPY IS PROVIDED ON A RESTRICTED BASIS AND IS NOT TO BE USED IN ANY WAY DETRIMENTAL TO THE INTERESTS OF PANDUIT CORP.

| PANDUIT PART NUMBER | STUD SIZE | DIMENSIONS in. |               |               |                |               |
|---------------------|-----------|----------------|---------------|---------------|----------------|---------------|
|                     |           | A $\pm .030$   | W $\pm .010$  | C $\pm .020$  | M $\pm .030$   | H $\pm .010$  |
| PNF14-6LF-3K        | #6        | .85<br>(21.59) | .25<br>(6.35) | .18<br>(4.57) | .63<br>(16.00) | .14<br>(3.56) |
| PNF14-6LFW-3K       | #6        | .85<br>(21.59) | .29<br>(7.37) | .18<br>(4.57) | .63<br>(16.00) | .14<br>(3.56) |
| PNF14-8LF-3K        | #8        | .92<br>(23.37) | .29<br>(7.37) | .23<br>(5.84) | .68<br>(17.27) | .16<br>(4.06) |
| PNF14-10LF-3K       | #10       | .92<br>(23.37) | .33<br>(8.38) | .23<br>(5.84) | .68<br>(17.27) | .19<br>(4.83) |
| PNF14-10LFN-3K      | #10       | .92<br>(23.37) | .28<br>(7.11) | .23<br>(5.84) | .68<br>(17.27) | .19<br>(4.83) |

NOTES :

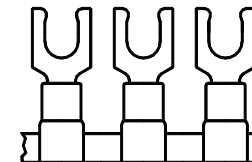
- UL LISTED AND CSA CERTIFIED FOR :  
 A. 600 V MAX. VOLTAGE RATING  
 B. 221°F (105°C) MAX. TEMP. RATING  
 C. #16-14 AWG (1.5-2.5 mm<sup>2</sup>) SOLID OR STRANDED, COPPER WIRE
- PACKAGE QTY. : 3K = 3000 PCS.  
CONTINUOUS MOLDED CARRIER STRIP
- MATERIAL :  
 A. STAMPING - .03" THK COPPER, TIN PLATED  
 B. HOUSING - BLUE NYLON  
 C. SLEEVE - BRASS, TIN PLATED
- DIMENSIONS IN BRACKETS ARE IN MILLIMETERS
- INSTALLATION TOOLS :  
 A. PRESSES - CP-851, CP-860, CP-861  
 B. APPLICATOR - CA-800  
 C. DIE INSERTS - CD-800-2
- WIRE STRIP LENGTH:  $1/4^{+1/32}_{-0}$  (6.4<sup>+0.8</sup><sub>-0</sub>)



LISTED  
587H  
E52164



CERTIFIED  
LR31212



.162 (4.11)  
MAX WIRE  
INSUL DIA  
.080 (2.03)  
MIN. WIRE  
INSUL. DIA.

|     |      |         |     |   |       |    |      |    |
|-----|------|---------|-----|---|-------|----|------|----|
| 04  | 1/01 | KMD     |     | CAD FILE SPEC. WAS N41147A_PCD_03       |       |    |      |    |
| 03  | 1/97 | JAMB    |     | ADDED DIM., "MIN. WIRE INSULATION DIA." | 05410 |    |      |    |
| 02  | 9/96 | TSMARLS |     | REVISE TOLERANCES, ADD NOTE #6          | 05086 | LA | DRH  |    |
|     |      |         |     | ORIGINAL FILESPEC WAS A41147A           |       |    |      |    |
| 1   | 3/88 | GM      |     | REDRAWN WITH REVISIONS                  |       | LA | KS   |    |
| REV | DATE | BY      | CHK | DESCRIPTION                             | ECN   | QA | CUST | PM |

A41147\_04

**PANDUIT** CORP.

TINLEY PARK, ILLINOIS

TERMO 3PC. CONTINUOUSLY MOLDED NYLON (FUNNEL) INSULATED, 16-14 BARREL, LOCKING FORKS

DRAWN BY GRM    Ck'D FS    SCALE NONE    DRAWING NO. A41147