

SPECIFICATIONS

(RoHS Compliant)



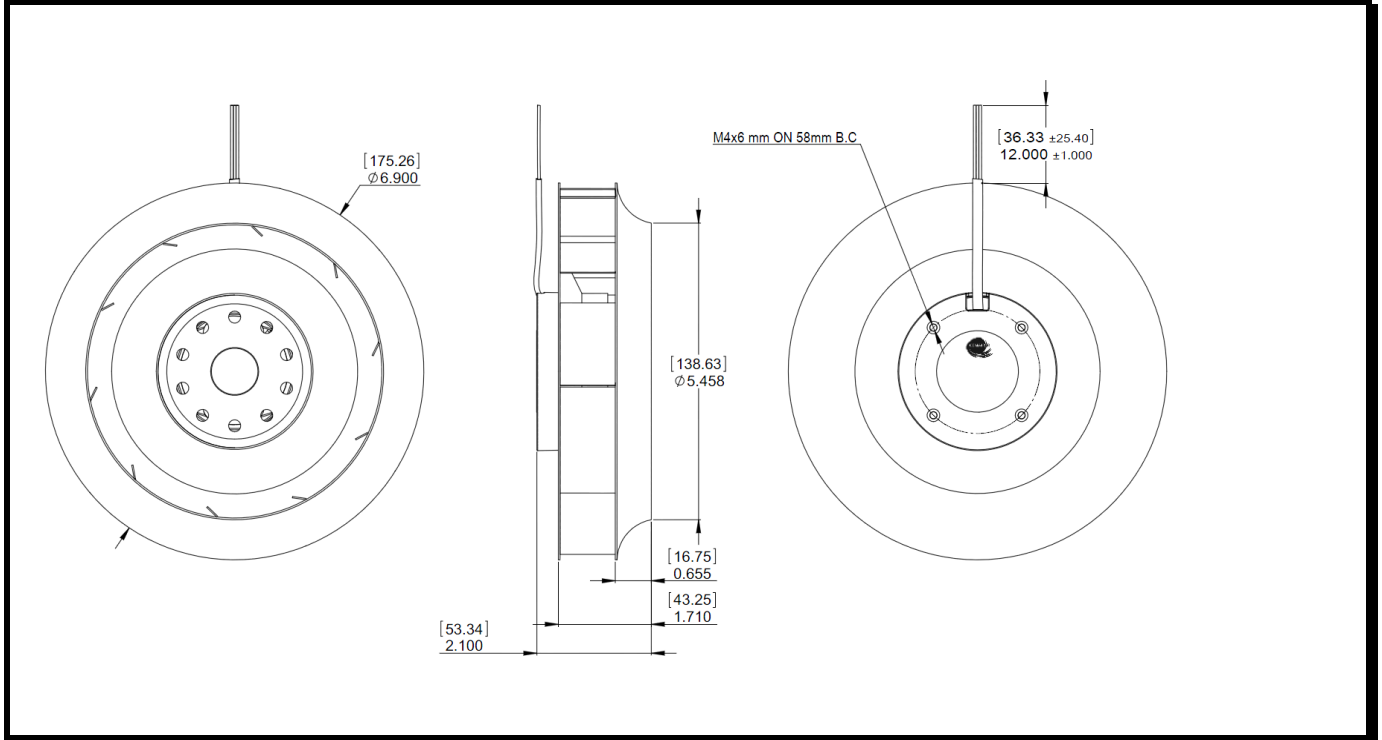
Model Number: DD692148K1A-E2

Part Number: 19040451A

SPEC Number: 26011951A03

Feb 26, 2013

Mechanical Drawing:



Motor:

| | |
|-------------------------|---------------|
| Nominal Voltage | = 48 vdc |
| Operating Voltage Range | = 24 - 72 vdc |
| Nominal Running Current | = 0.650 amps |
| Locked Rotor Current | = 2.0 amps |
| Running Power | = 31.20 watts |
| Average Speed | = 3000 rpm |
| Bearings | = Ball |
| Air Flow | = 250 cfm |
| Acoustic | = 67.2 dBA |

Construction:

| | |
|-------------|-------------------------|
| Motor Base: | Die Cast Aluminum |
| Propeller: | Sheet Metal, Galvanized |

Life Expectancy:

This fan is designed for continuous duty life of 55,000 hours at 40°C.

Agency Approvals:

UL, CUR, CE

Additional Features:

| | |
|----------------------------|---------------|
| Brushless DC Motor | |
| Polarity Protected | |
| Locked Rotor Protection | |
| Automatic Reset Capability | |
| Soft Start Capability | |
| Operating Temperature: | -40°C to 75°C |
| Storage Temperature: | -50°C to 85°C |
| Enviro-Shield Type 2 | |

Tachometer:

| | |
|------------------------|----------------------|
| Output: | 5volt TTL Compatible |
| I _c : | 5mA Typ |
| Pulses per Revolution: | 2 |
| Isolated: | No |

Termination:

| | |
|--------------------------------|--------------|
| 12" Lead-wires, AWG 22, UL1061 | |
| Red | = Power (+) |
| Black | = Ground (-) |
| Blue/White | = Tachometer |