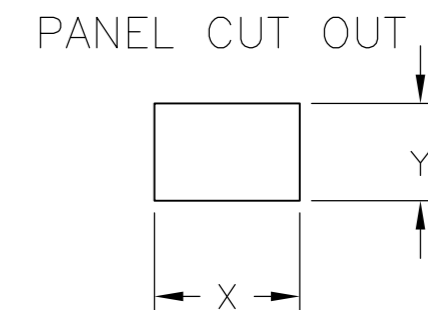
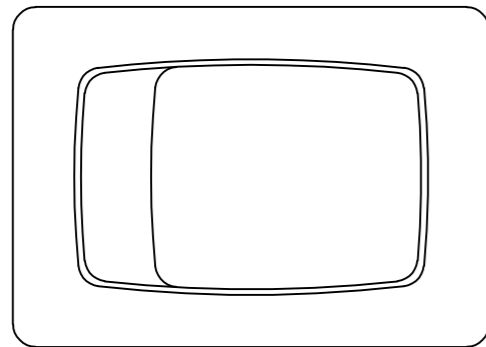
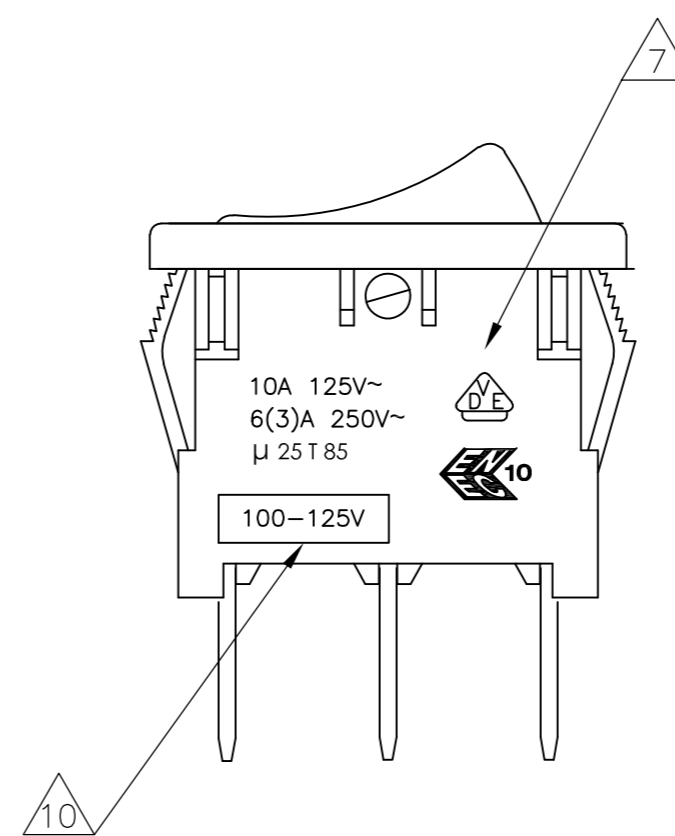
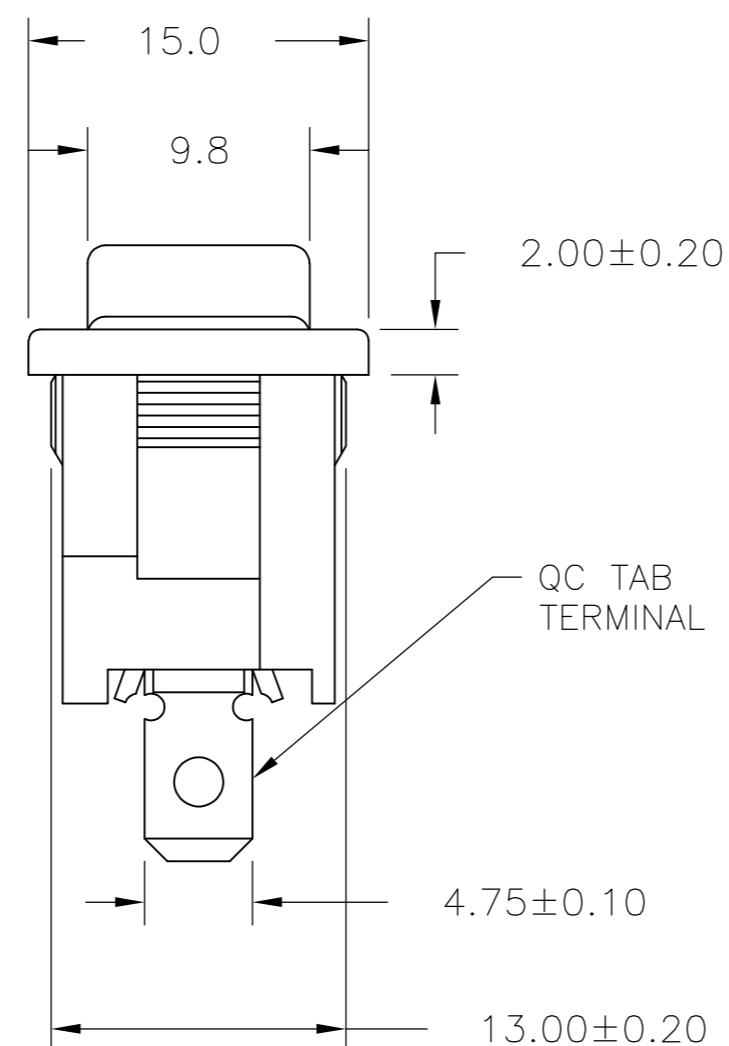
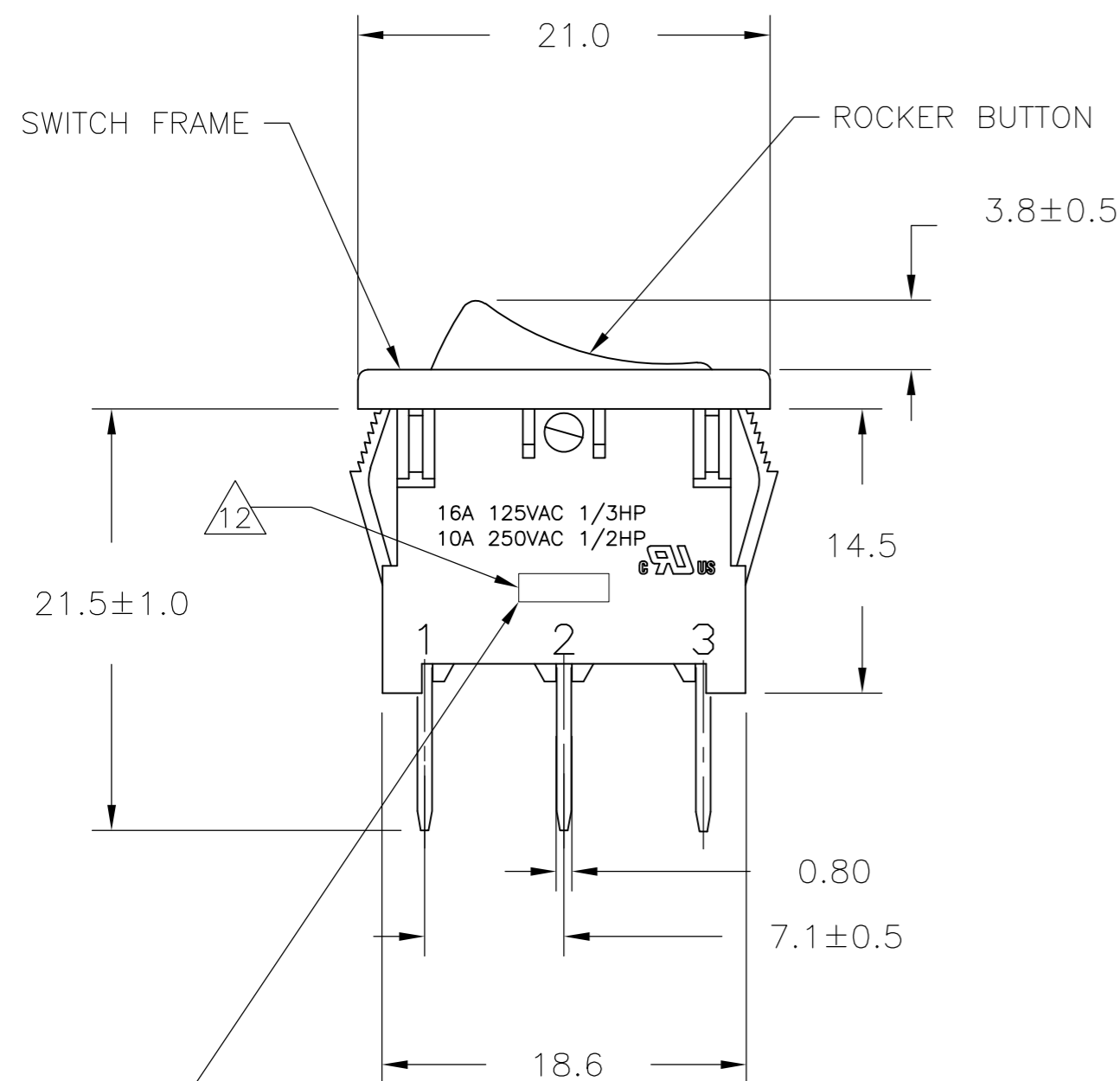


THIS DRAWING IS UNPUBLISHED. RELEASED FOR PUBLICATION
 © COPYRIGHT BY TYCO ELECTRONICS CORPORATION. ALL INTERNATIONAL RIGHTS RESERVED.

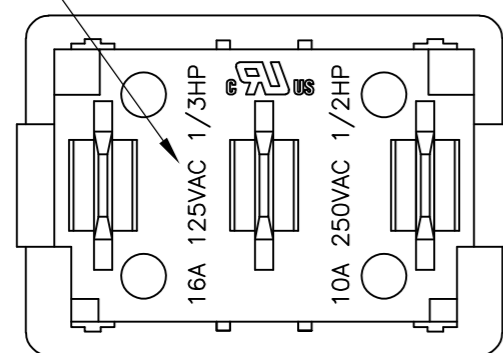
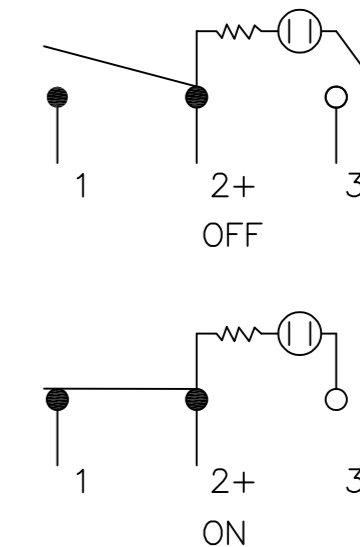
LOC	DIST	REVISIONS					
AD	00	P	LTR	DESCRIPTION	DATE	DWN	APVD
		G1		REVISED PER ECO-10-005254	18MAR10	HMR	NE



2.00-3.00	19.8-0.1	13.0+0.1
1.25-2.00	19.4-0.1	13.0+0.1
0.75-1.25	19.2-0.1	13.0+0.1
PANEL THICKNESS	X	Y



SWITCH FUNCTION B1 & B3
CIRCUIT DIAGRAM

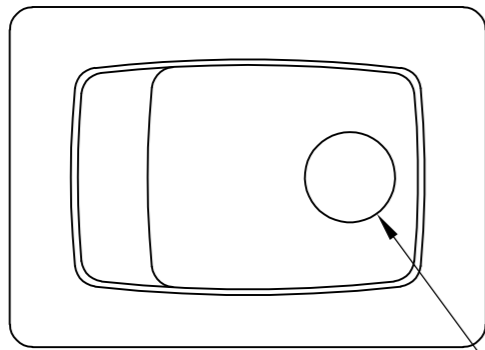


5-1571078-2 SHOWN

THIS DRAWING IS A CONTROLLED DOCUMENT.		DWN M.BINNER	25FEB2002	Tyco Electronics Corporation Harrisburg, PA 17105-3608	
DIMENSIONS: MM		CHK J.MOSIER	APVD -	NAME POWER ROCKER SWITCH, 13.0mm X 19.2mm PANEL CUT-OUT SIZE, SINGLE POLE, SINGLE THROW, THREE TERMINALS, LAMP ILLUMINATED	
TOLERANCES UNLESS OTHERWISE SPECIFIED:		PRODUCT SPEC NOT APPLICABLE		SIZE A2	
0 PLC ± -		APPLICATION SPEC NOT APPLICABLE		CAGE CODE 00779	
1 PLC ± 0.30		WEIGHT -		DRAWING NO 1571078	
2 PLC ± 0.05		FINISH 1		RESTRICTED TO -	
3 PLC ± -		CUSTOMER DRAWING		SCALE 3:1	
4 PLC ± -				SHEET 1 of 3	
ANGLES ± -				REV G1	

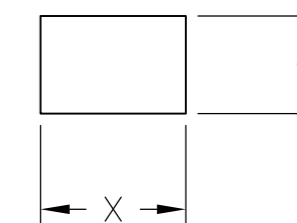
THIS DRAWING IS UNPUBLISHED. RELEASED FOR PUBLICATION
 © COPYRIGHT BY TYCO ELECTRONICS CORPORATION. ALL INTERNATIONAL RIGHTS RESERVED.

LOC	DIST	REVISIONS			
P	LTR	DESCRIPTION	DATE	DWN	APVD
AD	00	SEE SHEET 1	-	-	-

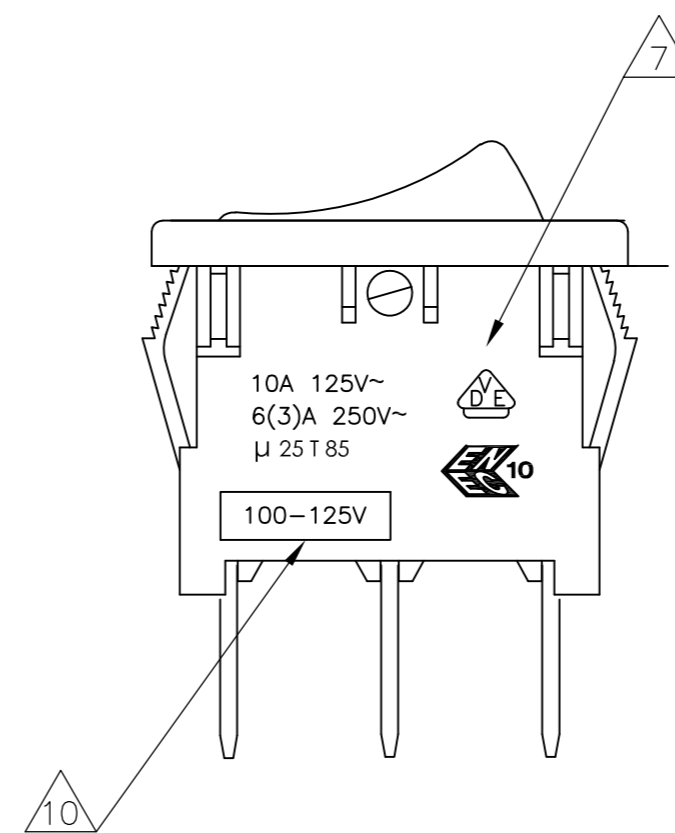
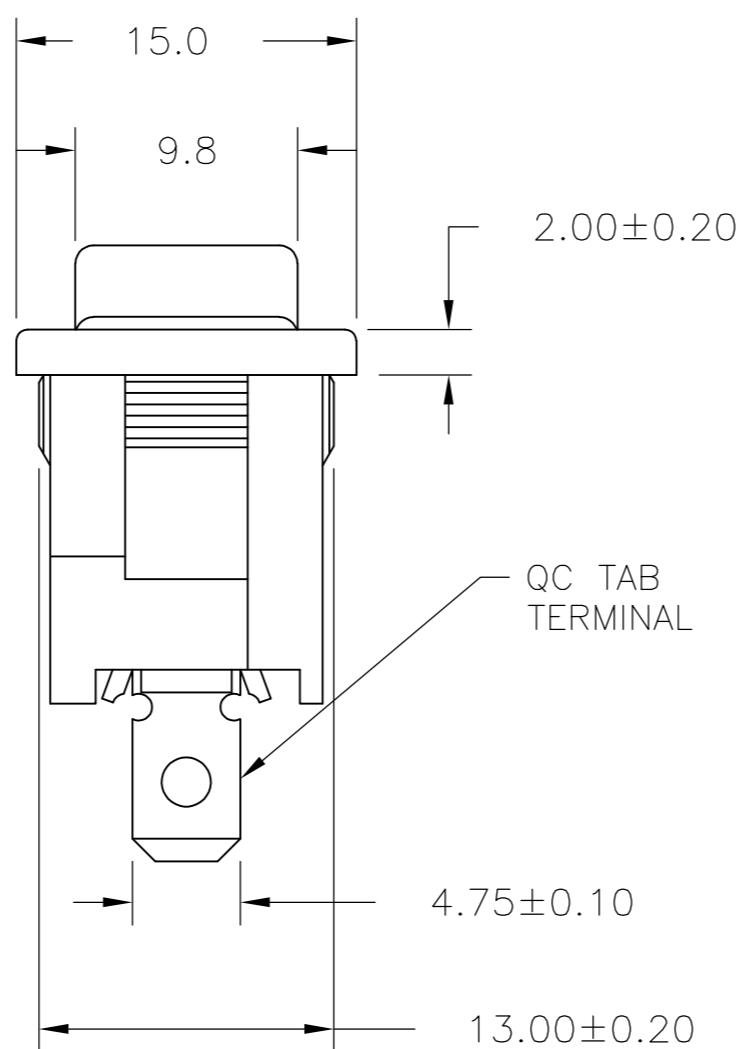
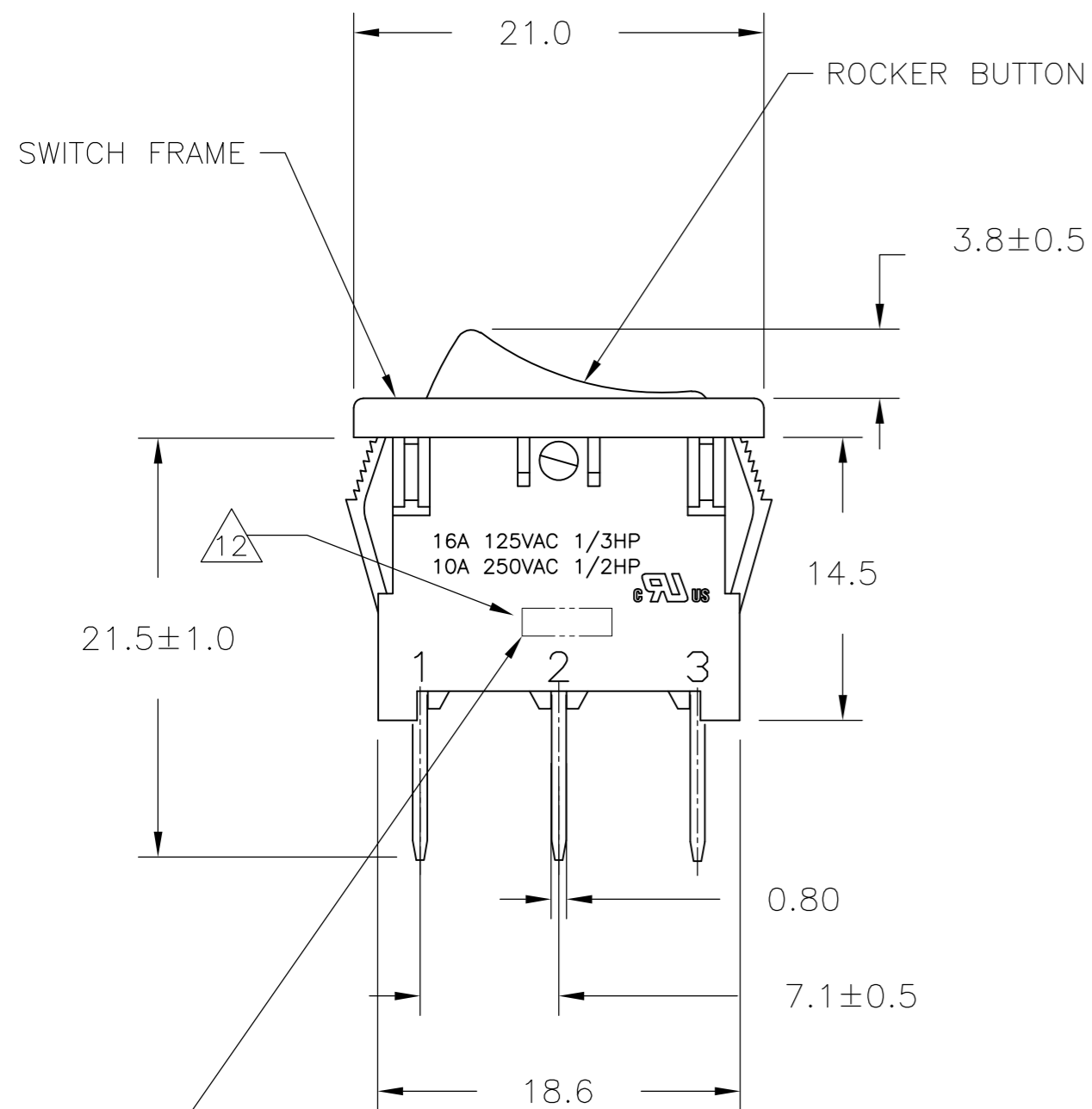


LAMP WINDOW

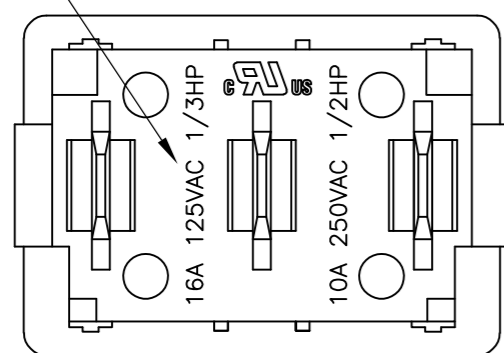
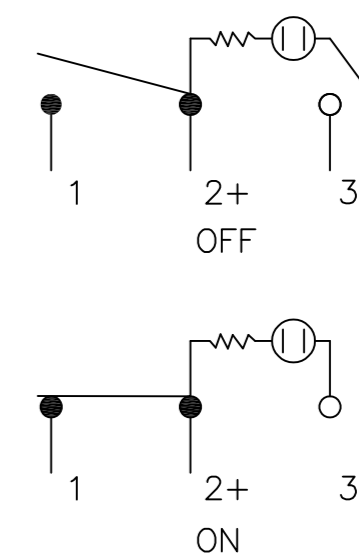
PANEL CUT OUT



2.00-3.00	19.8-0.1	13.0+0.1
1.25-2.00	19.4-0.1	13.0+0.1
0.75-1.25	19.2-0.1	13.0+0.1
PANEL THICKNESS	X	Y



SWITCH FUNCTION B2 & B4
CIRCUIT DIAGRAM



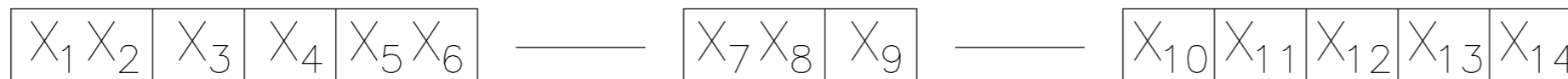
1571078-4 SHOWN

THIS DRAWING IS A CONTROLLED DOCUMENT.		DWN M.BINNER	25FEB2002	Tyco Electronics Corporation Harrisburg, PA 17105-3608	
DIMENSIONS: MM		CHK J.MOSIER	APVD -	NAME POWER ROCKER SWITCH, 13.0mm X 19.2mm PANEL CUT-OUT SIZE, SINGLE POLE, SINGLE THROW, THREE TERMINALS, LAMP ILLUMINATED	
TOLERANCES UNLESS OTHERWISE SPECIFIED:		PRODUCT SPEC NOT APPLICABLE		SIZE A2	CAGE CODE 00779
0 PLC ± -		APPLICATION SPEC NOT APPLICABLE		DRAWING NO 1571078	RESTRICTED TO -
1 PLC ± 0.30		WEIGHT -		SCALE 3:1	SHEET 2 of 3
2 PLC ± 0.05		CUSTOMER DRAWING		REV G1	
3 PLC ± -					
4 PLC ± -					
ANGLES ± -					
FINISH					

THIS DRAWING IS UNPUBLISHED. RELEASED FOR PUBLICATION
 © COPYRIGHT BY TYCO ELECTRONICS CORPORATION. ALL INTERNATIONAL RIGHTS RESERVED.

LOC	DIST	REVISIONS			
P	LTR	DESCRIPTION	DATE	DWN	APVD
AD	00	SEE SHEET 1	-	-	-

LEGACY PART NUMBER




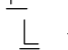
SWITCH TYPE: X1X2 = PR - POWER ROCKER



NOMINAL PANEL CUT OUT SIZE: X3 = A - 13.0x19.2
 NUMBER OF POLES: X4 = S - SINGLE



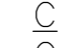

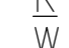
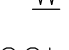
SWITCH FUNCTION: X5X6 =

- B1 : ON-OFF, TRANSPARENT, LAMP ILLUMINATED, ROCKER BUTTON (100-125 VAC LAMP VOLTAGE)
- B2 : ON-OFF, OPAQUE, LAMP ILLUMINATED WINDOW, ROCKER BUTTON (100-125 VAC LAMP VOLTAGE)
- B3 : ON-OFF, TRANSPARENT, LAMP ILLUMINATED, ROCKER BUTTON (200-250 VAC LAMP VOLTAGE)
- B4 : ON-OFF, OPAQUE, LAMP ILLUMINATED WINDOW, ROCKER BUTTON (200-250 VAC LAMP VOLTAGE)

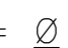

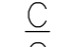

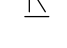
CURRENT RATING: X7X8 = 16 -

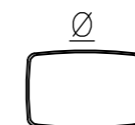
TERMINAL TYPE: X9 =  - QC TAB
 - SOLDER LUG


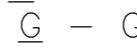
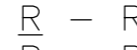
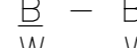
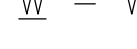
FRAME COLOR: X10 =  - BLACK
 - WHITE




ROCKER COLOR: X11 =  - AMBER
 - BLACK
 - CLEAR
 - GREEN
 - RED
 - WHITE





SECONDARY ROCKER COLOR

(FOR THE LAMP WINDOW): X12 =  - NOT APPLICABLE
 - AMBER
 - CLEAR
 - GREEN
 - RED


LEGEND TEXT PATTERN: X13 =    

LEGEND TEXT COLOR: X14 =  - NOT APPLICABLE
 - GREEN
 - RED
 - BLACK
 - WHITE

-  **MATERIALS:**
 LAMP BASE & HOUSING FRAME: NYLON 66, UL 94 V-2.
 ROCKER BUTTON: NYLON 66 OR POLYCARBONATE, UL 94 V-2.
 ROCKER BUTTON WINDOW, POLYCARBONATE, UL 94 V-2.
 TERMINAL (NOS. 1 & 2), ACTIVE CONTACTOR: COPPER ALLOY PER ASTM B152/B152M
 TERMINAL (NO. 3), PLUNGER: COPPER ALLOY PER ASTM B036.
 SPRING: STEEL WIRE PER ASTM A228/A228M
 CONTACT: SILVER-TIN OXIDE
 LAMP: NEON
 RESISTOR: 150kW, 1/8W RATED, 250VAC
 33kW, 1/8W RATED, 125VAC
-  **FINISH:**
 TERMINAL (NOS. 1&2), ACTIVE CONTACTOR: 1.0µm MIN SILVER
 PLUNGER: 3.0µm MIN NICKEL
- 3 **ELECTRICAL SPECIFICATIONS:**
 CURRENT AND VOLTAGE: 
 LAMP VOLTAGE: SWITCH FUNCTION B1 & B2, 100-125 VAC
 SWITCH FUNCTION B3 & B4, 200-250 VAC
 CONTACT RESISTANCE (INITIAL): <100mW (5V, 1A DC)
 DIELECTRIC STRENGTH (INITIAL): >1000 VAC, 1 MINUTE
 INSULATION RESISTANCE (INITIAL): >100MW MIN (500VDC BETWEEN OPEN CONTACTS)
 INRUSH CURRENT: 50A / 3msec (CAPACITIVE LOAD)
 ELECTRICAL LIFE ENDURANCE: >6000 OPERATIONS
 TEMPERATURE RISE AT TERMINALS: <30°C, 6000 OPERATIONS
 (AMBIENT CONDITIONS: 25±2°C AND 65±5%R.H)
- 4 **MECHANICAL SPECIFICATIONS:**
 ACTUATING FORCE: 150g MIN, 650g MAX
 OPERATING LIFE ENDURANCE: >100,000 OPERATIONS
 TERMINAL RETENTION FORCE: >2.5kg- SOLDER LUG
 >6.8kg- QC TAB

- 5 ENVIRONMENTAL SPECIFICATIONS:
 AMBIENT TEMPERATURE: -20°C TO +85°C
 HUMIDITY: MAX 85%
 SALT SPRAY: NO REMAKABLE RUST IN METAL PARTS. (5%SALT / 35°C 24HRS)
 SHOCK: NO MECHANICAL DEFECT OR DAMAGE. (100g / 10MSEC/ X,Y,Z 3 TIMES)
 VIBRATION: NO MECHANICAL DEFECT OR DAMAGE. (10-55Hz /1.5mm/ X,Y,Z 2HRS)
-  UL: 16A@125VAC 1/3HP, 10A@250VAC 1/2HP
 ENEC: 10A@125VAC, 6(3)A 250V~, µ25T85
-  ELECTRICAL RATINGS, APPROVED AGENCY LOGOS, TERMINAL IDENTIFICATION NUMBERS, AND THE TYCO/ELECTRONICS LOGO, MOLDED APPROXIMATELY AS SHOWN ON THE SIDE AND BOTTOM SURFACES OF THE SWITCH HOUSING.
- 8 COMPONENT RECOGNIZED TO US & CANADIAN STANDARDS, UL FILE NO. E46765.
- 9 COMPONENT RECOGNIZED TO EUROPEAN STANDARDS (ENEC & VDE). MARKS LICENSE No. 40006757
-  THE LAMP VOLTAGE RATING IS LISTED ON THE LABEL LOCATED ON THE SIDE OF THE SWITCH HOUSING, APPROXIMATELY AS SHOWN.
- 11 ROHS 2002/95/EC COMPLIANT
-  TYCO ELECTRONICS LOGO LOCATED APPROXIMATELY AS SHOWN PER TEC 202-36.

1	PRASB1-16F-BR000	5-1571078-2
2	PRASB2-16F-BBR00	1571078-4
SHEET REF.	LEGACY PART NUMBER	PART NUMBER

THIS DRAWING IS A CONTROLLED DOCUMENT.		DWN M.BINNER	25FEB2002	Tyco Electronics Corporation Harrisburg, PA 17105-3608	
DIMENSIONS: MM		CHK J.MOSIER	APVD -	NAME POWER ROCKER SWITCH, 13.0mm X 19.2mm	
TOLERANCES UNLESS OTHERWISE SPECIFIED:		PRODUCT SPEC NOT APPLICABLE		PANEL CUT-OUT SIZE, SINGLE POLE, SINGLE THROW, THREE TERMINALS, LAMP ILLUMINATED	
0 PLC ± -		APPLICATION SPEC NOT APPLICABLE		SIZE A2	RESTRICTED TO -
1 PLC ± 0.30		WEIGHT -		CAGE CODE 00779	DRAWING NO 1571078
2 PLC ± 0.05		FINISH 		SCALE 3:1	SHEET 3 of 3
3 PLC ± -		CUSTOMER DRAWING		REV G1	
4 PLC ± -					
ANGLES ± -					