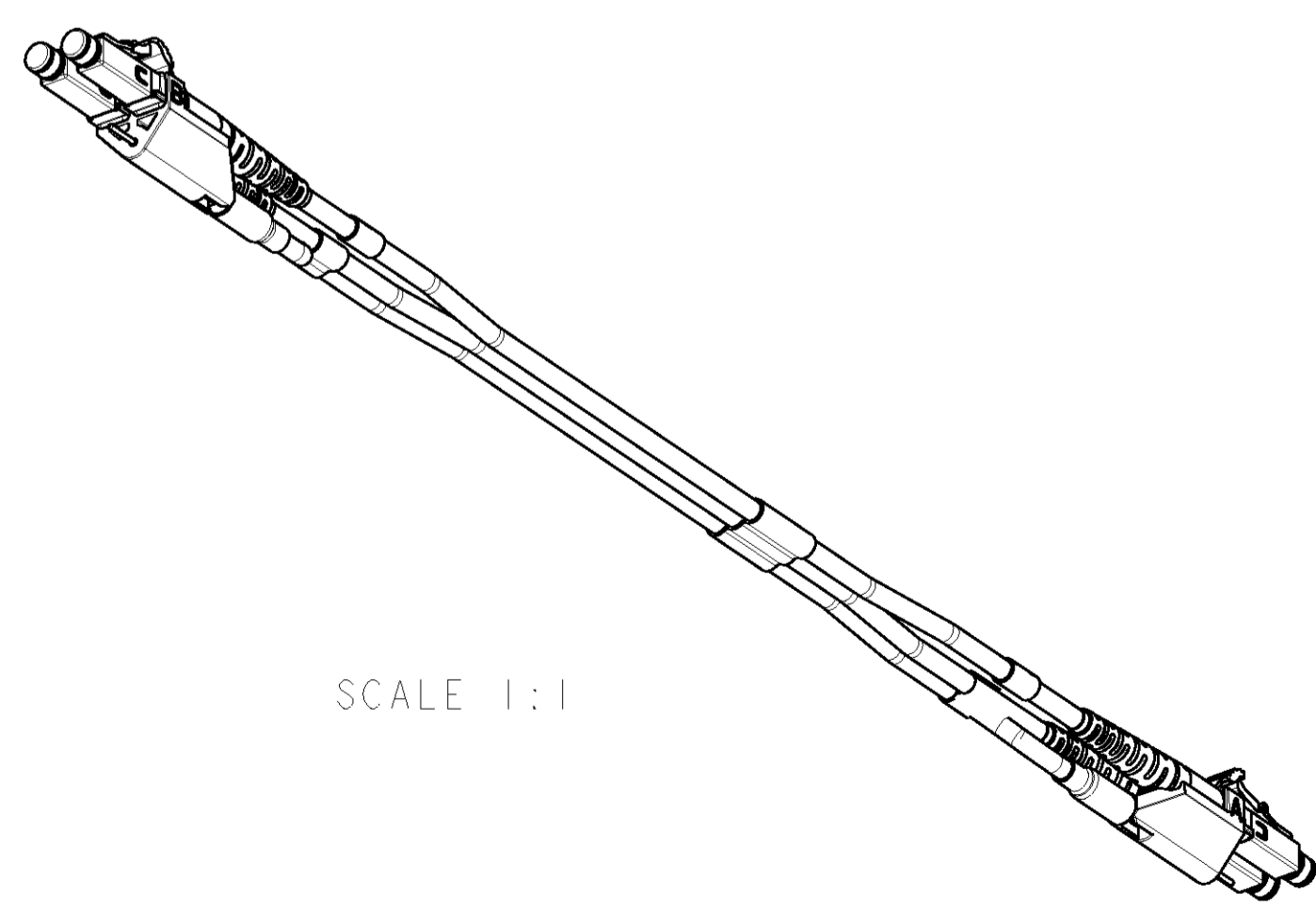
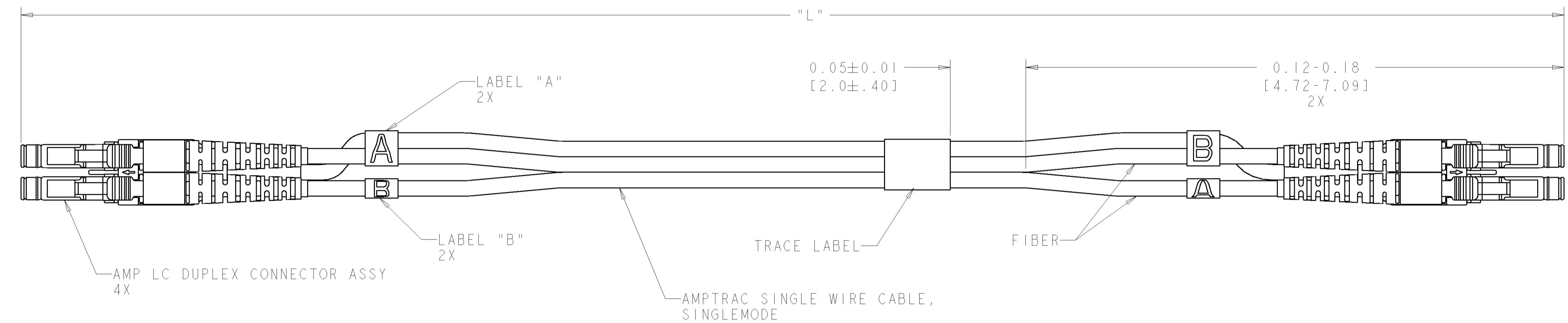


CONNECTOR LOSS (dB)	"L" METERS [INCHES]	PART NUMBER
.52	10.0±.15 [393.7±6]	1-1435790-0
.52	7.0±0.08 [275.6±3]	1435790-7
.51	5.0±.08 [196.9±3]	1435790-5
.50	4.0±.05 [157.5±2.0]	1435790-4
.50	3.0±.05 [118.1±2.0]	1435790-3
.50	2.0±.05 [78.7±2.0]	1435790-2
.50	1.0±.05 [39.4±2.0]	1435790-1

LOC	DIST	REVISIONS				
HM	00	P. LTR	DESCRIPTION	DATE	DWN	APVD
		B1	REVISED PER ECO-11-005033	03MAY11	RK	HMR



▲ DIMENSIONS IN [ ] ARE IN INCHES.  
 ▲ MAXIMUM CONNECTOR LOSS IS EQUAL TO .50 dB PLUS CABLE ATTENUATION.

DIMENSIONS: METERS 		TOLERANCES UNLESS OTHERWISE SPECIFIED: 9 PLC ± 8 PLC ± 5 PLC ± 4 PLC ± ANGLES ± FINISH -		DWN J MCNEAL SIMAY2005 CRK L SMITH SIMAY2005 APVD M DELPHIAS SIMAY2005 PRODUCT SPEC APPLICATION SPEC WEIGHT - CUSTOMER DRAWING		<b>TE Connectivity</b> NAME: CABLE ASSY FIBER OPTIC, AMPTRAC LC TO LC, DUPLEX, XG, 50um, MM SIZE: CAGE CODE DRAWING NO: A100779C=1435790 RESTRICTED TO: - SCALE: 2:1 SHEET 1 OF 1 REV B1	
---------------------------	--	--	--	--	--	--	--