

THIS DRAWING IS UNPUBLISHED. RELEASED FOR PUBLICATION  
 © COPYRIGHT BY TYCO ELECTRONICS CORPORATION. ALL RIGHTS RESERVED.

| LOC |     | DIST        |  | REVISIONS                 |         |       |  |
|-----|-----|-------------|--|---------------------------|---------|-------|--|
| P   | LTR | DESCRIPTION |  | DATE                      | DWN     | APVD  |  |
| GP  | 00  | E           |  | REVISED PER ECO-08-007327 | 05SEP08 | BM WM |  |

RECEPTACLE TERMINAL  
 QUANTITY 50

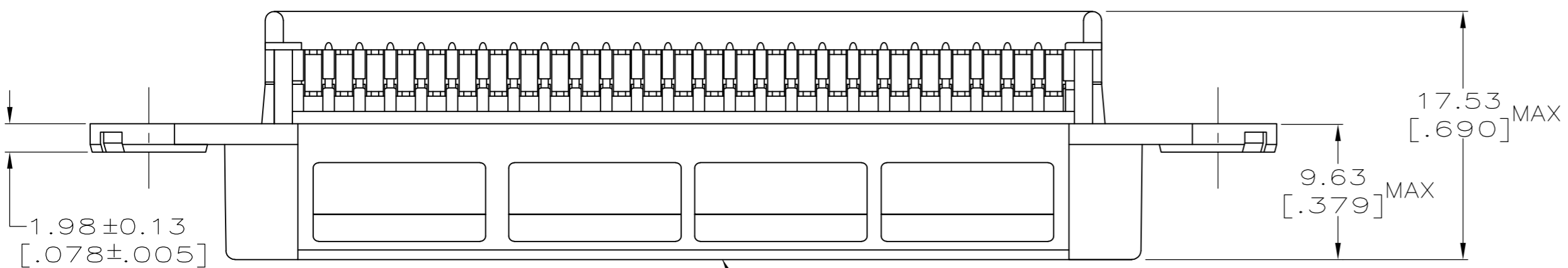
BLUE COLOR DOT  
 LOCATED IN CENTER

$\phi 3.18 \pm 0.13$   
 $[.125 \pm .005]$   
 2 HOLES

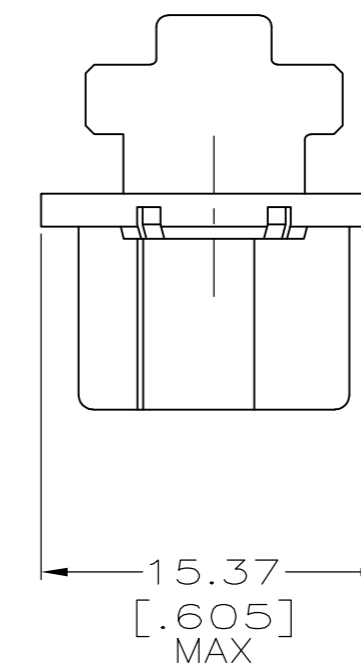
$74.83 \pm 0.36$   
 $[2.946 \pm .014]$

$83.31$   
 $[3.280]$

1. MATERIAL: HOUSING - POLYPHENYLENE OXIDE, BLACK. TERMINAL - HIGH STRENGTH COPPER ALLOY PLATED WITH  $0.76\mu\text{m}$  [.000030] MIN GOLD OR GOLD FLASH OVER PALLADIUM NICKEL PLATE,  $0.76\mu\text{m}$  [.000030] MIN TOTAL ON MATING SURFACE,  $1.27\mu\text{m}$  [.000050] MIN NICKEL UNDERPLATE ON ENTIRE CONTACT.
2. THE CONTACT SURFACES OF THE TERMINALS ARE COATED WITH LUBRICANT.
3. WIRE SIZE: 26 AWG SOLID OR 24 AWG 7 STRANDS OF COPPER CONDUCTORS. MAXIMUM INSULATION DIAMETER OF  $1.14$  [.045] IS ACCEPTABLE FOR MOST APPLICATIONS.

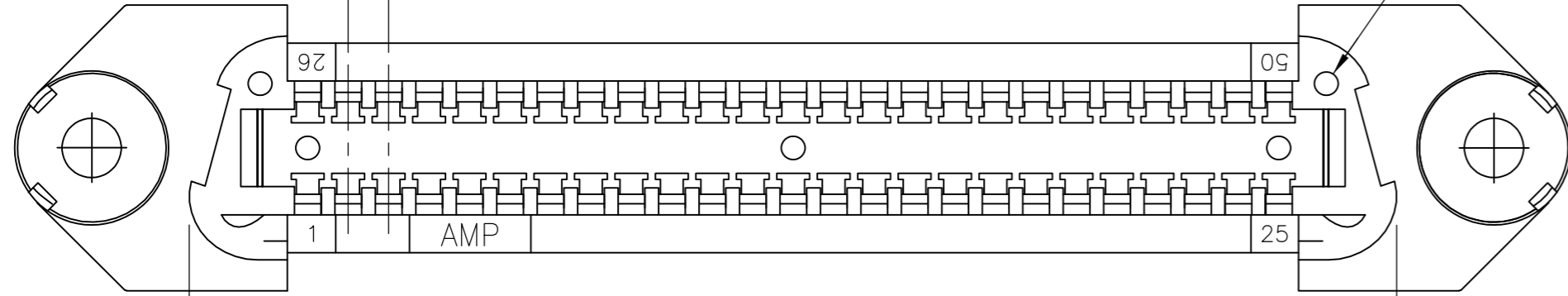


RECEPTACLE HOUSING



OPTIONAL CORE FEATURE  
 TYP

$2.16$  (CENTERS)  
 $[.085]$



$64.26$   
 $[2.530]$   
 MAX

554342-1  
 PART NUMBER

|  |  |                           |   |                 |
|--|--|---------------------------|---|-----------------|
| THIS DRAWING IS A CONTROLLED DOCUMENT. |  | DWN DL DRUMMOND 22AUG2002 | Tyco Electronics Corporation<br>Harrisburg, PA 17105-3608   |                 |
| DIMENSIONS: mm [INCHES]                |  | CHK DL DRUMMOND 22AUG2002 |   |                 |
| TOLERANCES UNLESS OTHERWISE SPECIFIED: |  | APVD RP MCCRAW 26AUG2002  | NAME  |                 |
| 0 PLC ± -                              |  | PRODUCT SPEC              | EMI RECEPTACLE ASSEMBLY,<br>50 POSITION, SCREW LOCK, B-SLOT,<br>WITH $3.175$ [.125] DIAMETER HOLES, CHAMP |                 |
| 1 PLC ± -                              |  | APPLICATION SPEC          | SIZE A2   | CAGE CODE 00779 |
| 2 PLC ± -                              |  | WEIGHT -                  | DRAWING NO C=554342   | RESTRICTED TO - |
| 3 PLC ± -                              |  | CUSTOMER DRAWING          | SCALE 3:1   | SHEET 1 OF 1    |
| 4 PLC ± -                              |  |                           |   | REV E           |
| ANGLES ± -                             |  |                           |   |                 |
| FINISH                                 |  |                           |   |                 |