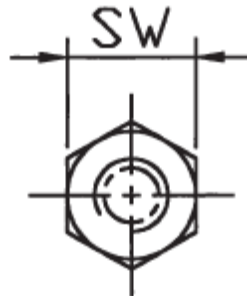
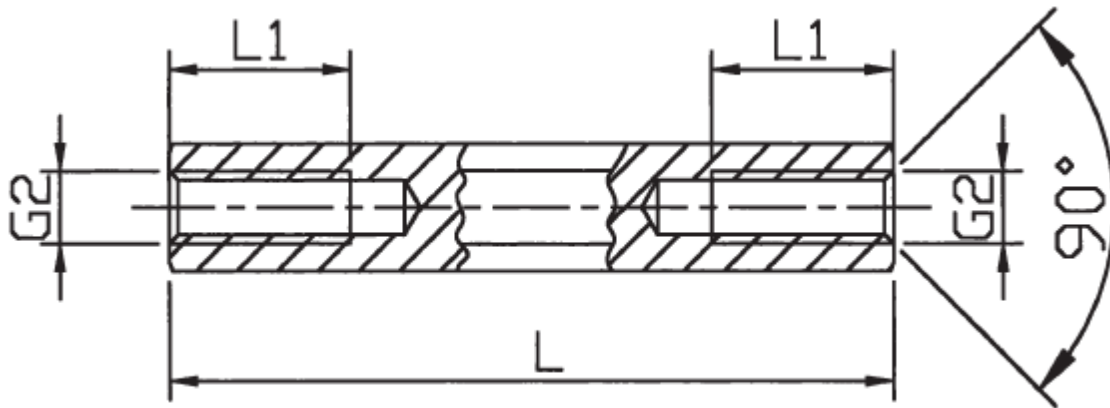


970300154



970300154			Material: CuZn39 Pb3 Surface: nickel-plated	
BRASS SPACER internal/internal			Tolerance: ± 0.1mm	
SW 5	L1 = 8.0 mm		Drawn Mark Wirth 2011-01-28	Last Update Mark Wirth 2011-01-28
G1,G2 = M2.5				
L = 30.0 mm				

Würth Elektronik eiSos GmbH & Co KG
 D – 74638 Waldenburg
 Max-Eyth-Straße 1
 Tel.: 0049 7942-945-0 / Fax: 0049 7942-945-400
 www.we-online.de