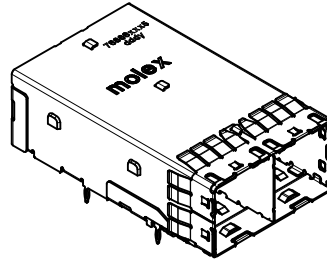
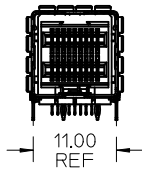
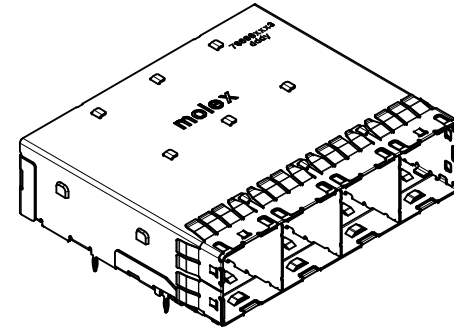
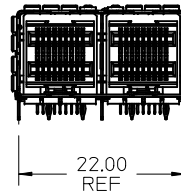


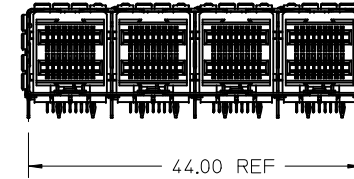
1x1



1x2



1x4



NOTES:

1. MATERIALS:

- CONNECTOR HOUSING: HIGH TEMPERATURE THERMOPLASTIC
GLASS FILLED, UL 94V-0
- EMI CAGE: NICKEL SILVER ALLOY
- EMI CAGE BASE: STAINLESS STEEL
- EMI FINGERS: COPPER ALLOY
- TERMINALS: COPPER ALLOY

2. FINISHES:

- EMI FINGERS: 0.50µM MIN NICKEL
- CONTACT AREA: 0.76µM MIN GOLD OVER 3.81µM MIN NICKEL
- TAIL AREA: 0.76µM-1.52µM TIN OVER 1.27µM MIN NICKEL

3. PRODUCT SPECIFICATION: PS-76866-001

4. PACKAGING SPECIFICATION: PK-76866-001

5. MATES WITH: MOLEX CABLE SERIES 111075 and 111077

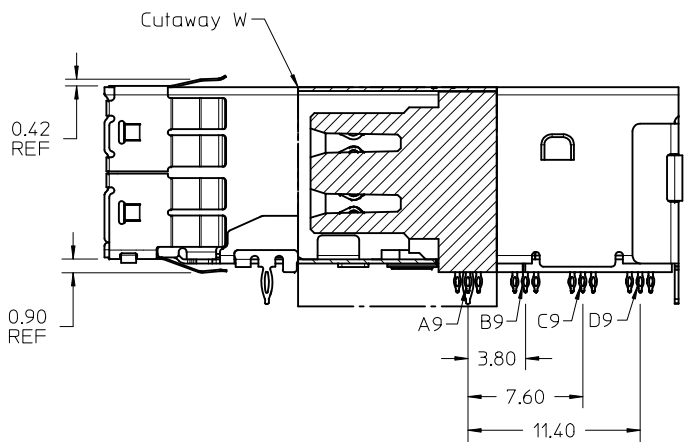
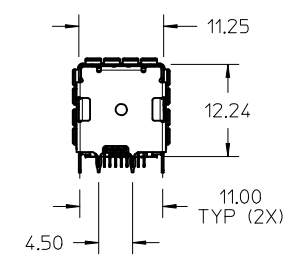
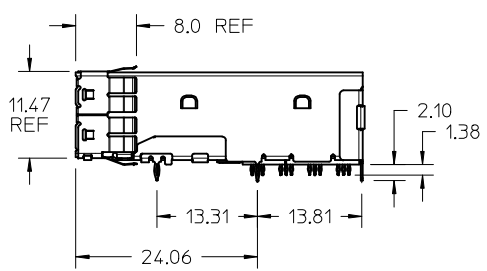
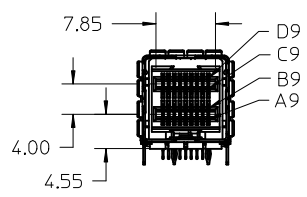
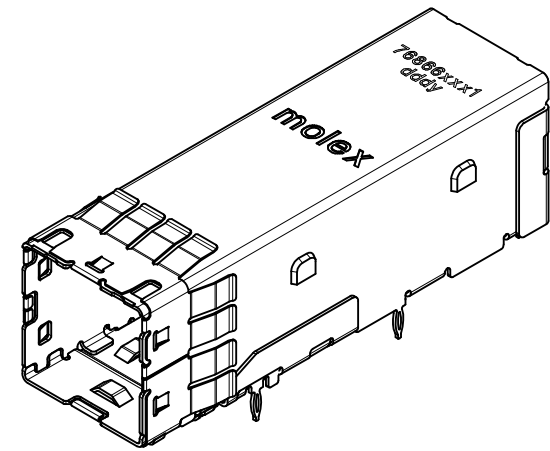
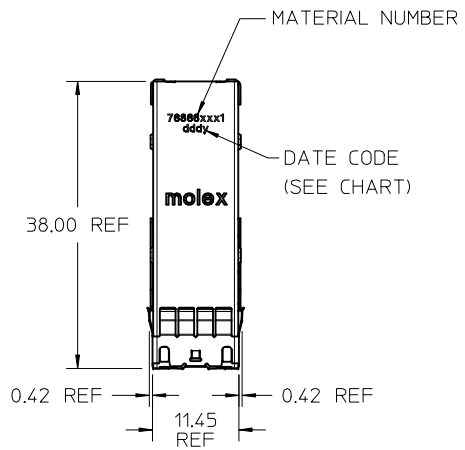
6. RECOMMENDED MOUNTING HARDWARE: REFER TO APPLICATION SPECIFICATION AS-76866-001

7. THIS PART CONFORMS TO CLASS C REQUIREMENTS OF MOLEX COSMETIC SPECIFICATION PS-45499-002

8. PLUG MODULE PCB LAYOUT REFER TO SD-76866-9900

CONFIGURATION	MATERIAL NO.
1 x 1	76866-1211
1 x 2	76866-1215
1 x 4	76866-1213

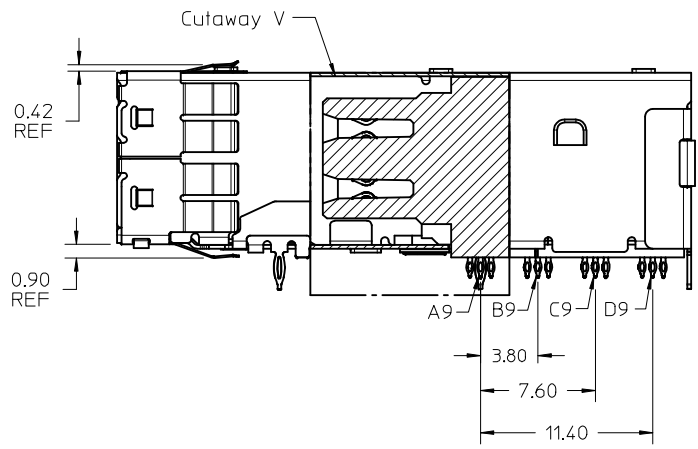
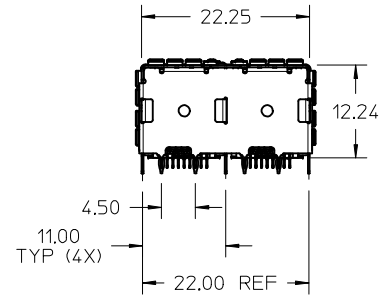
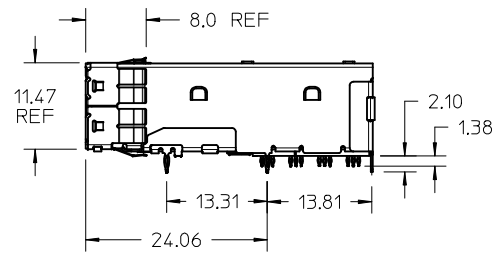
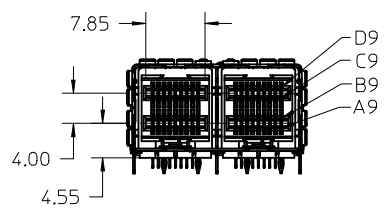
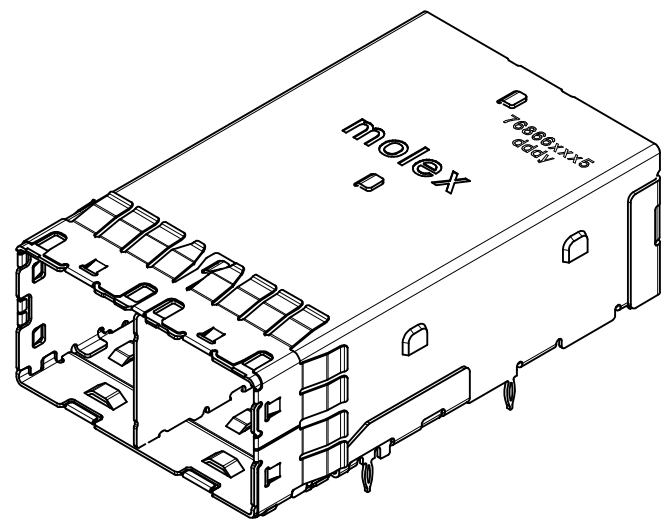
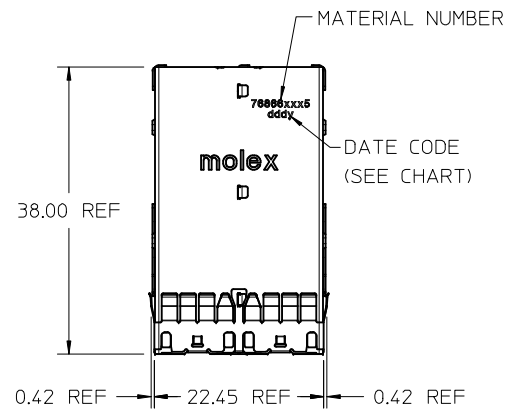
ADDED PF NUT CAGE EC NO: UCP2016-0275 DRWN:TMCCLELL 2016/01/04 CHKD:TMCCLELLAND 2016/07/06 APPR:SMILLER 2016/07/06	QUALITY SYMBOLS	GENERAL TOLERANCES (UNLESS SPECIFIED)	DIMENSION STYLE MM ONLY	SCALE 2:1	DESIGN UNITS METRIC	THIRD ANGLE PROJECTION
	▽=0	mm INCH	DRAWN BY DATE KLANG 2012/02/10	TITLE IPASS PLUS HD - 12G EXTERNAL EXTENDED SNOOT		DOCUMENT NO. SD-76866-1002 SHEET NO. 1 OF 12
	▽=0	4 PLACES ± --- ± ---	CHECKED BY DATE TMCCLELLAND 2013/07/31	MATERIAL NO. SEE CHART		
	▽=0	3 PLACES ± --- ± ---	APPROVED BY DATE MBANAKIS 2013/08/01			
	2 PLACES ± 0.13 ± ---	DRAFT WHERE APPLICABLE MUST REMAIN WITHIN DIMENSIONS				
	1 PLACE ± 0.25 ± ---	THIS DRAWING CONTAINS INFORMATION THAT IS PROPRIETARY TO MOLEX. INCORPORATED AND SHOULD NOT BE USED WITHOUT WRITTEN PERMISSION				
	0 PLACE ± ±					



1X1 ASSEMBLY

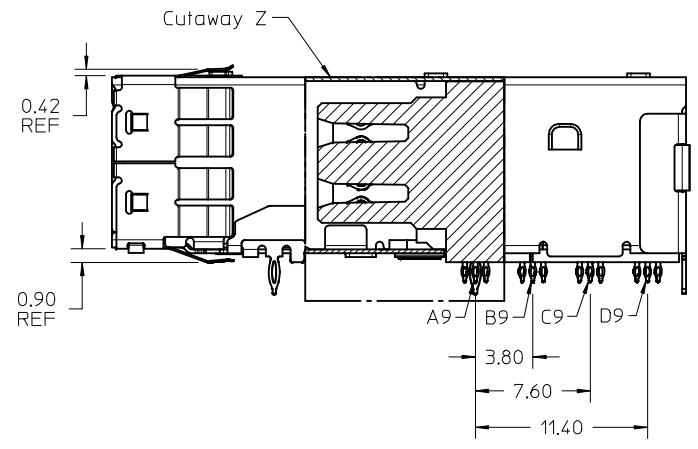
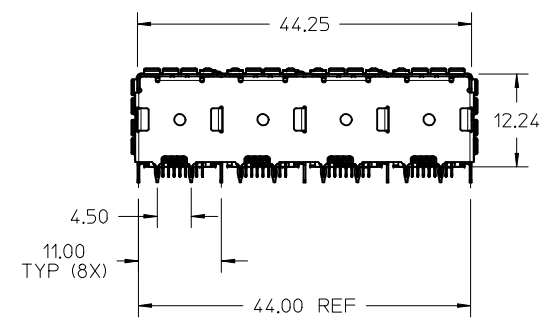
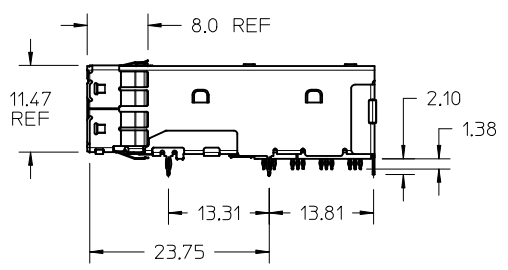
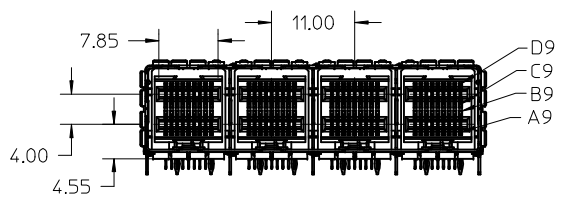
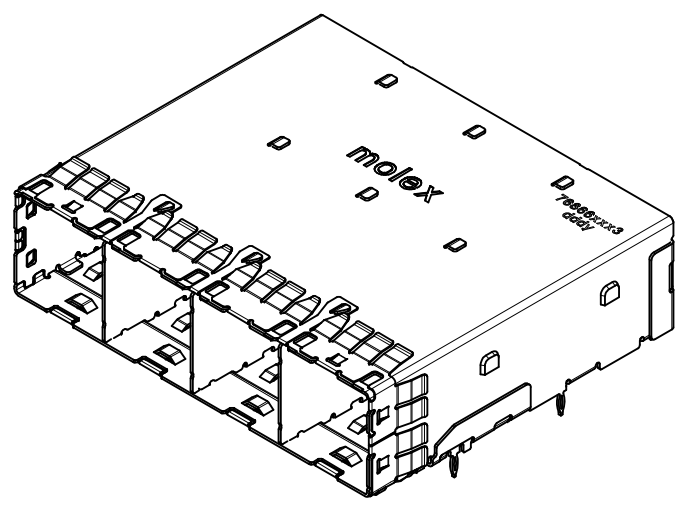
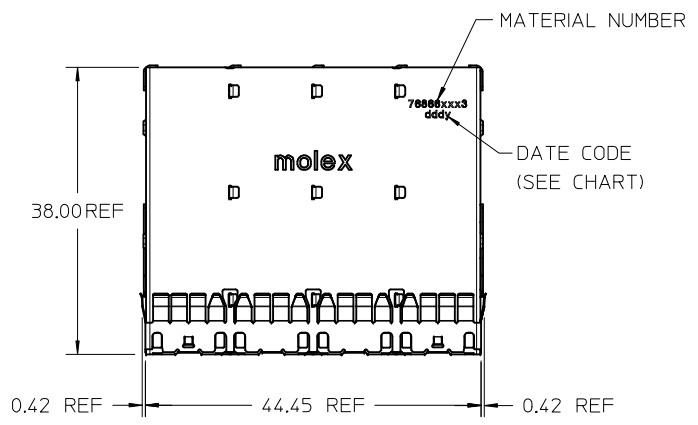
MEXICO	DDDY
CHINA	MSHDDDY
MANUFACTURING LOCATION	DATE CODE
DESIGN UNITS METRIC	THIRD ANGLE PROJECTION

SEE SHEET 1 EC NO: UCP2016-0275 DRWN:TMCCLELL 2016/01/04 CHKD:TMCCLELLAND 2016/07/06 APPR:SMILLER 2016/07/06	QUALITY SYMBOLS	GENERAL TOLERANCES (UNLESS SPECIFIED)	DIMENSION STYLE MM ONLY	SCALE 2:1	TITLE IPASS PLUS HD - 12G EXTERNAL EXTENDED SNOOT molex DOCUMENT NO. SD-76866-1002 SHEET NO. 2 OF 12
	▽=0	4 PLACES ± --- ± ---	DRAWN BY DATE KLANG 2012/02/10	THIS DRAWING CONTAINS INFORMATION THAT IS PROPRIETARY TO MOLEX INCORPORATED AND SHOULD NOT BE USED WITHOUT WRITTEN PERMISSION	
	▽=0	3 PLACES ± --- ± ---	CHECKED BY DATE TMCCLELLAND 2013/07/31		
	▽=0	2 PLACES ± 0.13 ± ---	APPROVED BY DATE MBANAKIS 2013/08/01		
		1 PLACE ± 0.25 ± ---	MATERIAL NO.	SIZE	
		0 PLACE ± ±	SEE CHART		
		ANGULAR ±1/2°			
		DRAFT WHERE APPLICABLE MUST REMAIN WITHIN DIMENSIONS			



MEXICO	DDDY
CHINA	MSHDDDY
MANUFACTURING LOCATION	DATE CODE

SEE SHEET 1 EC NO: UCP2016-0275 DRWN:TMCCLELL 2016/01/04 CHKD:TMCCLELLAND 2016/07/06 APPR:SMILLER 2016/07/06	QUALITY SYMBOLS ∇=0 ∇=0 ∇=0	GENERAL TOLERANCES (UNLESS SPECIFIED) <table border="1"> <tr> <th></th> <th>mm</th> <th>INCH</th> </tr> <tr> <td>4 PLACES</td> <td>± ---</td> <td>± ---</td> </tr> <tr> <td>3 PLACES</td> <td>± ---</td> <td>± ---</td> </tr> <tr> <td>2 PLACES</td> <td>± 0.13</td> <td>± ---</td> </tr> <tr> <td>1 PLACE</td> <td>± 0.25</td> <td>± ---</td> </tr> <tr> <td>0 PLACE</td> <td>±</td> <td>±</td> </tr> </table>		mm	INCH	4 PLACES	± ---	± ---	3 PLACES	± ---	± ---	2 PLACES	± 0.13	± ---	1 PLACE	± 0.25	± ---	0 PLACE	±	±	DIMENSION STYLE MM ONLY	SCALE 2:1	DESIGN UNITS METRIC	THIRD ANGLE PROJECTION
		mm	INCH																					
	4 PLACES	± ---	± ---																					
	3 PLACES	± ---	± ---																					
2 PLACES	± 0.13	± ---																						
1 PLACE	± 0.25	± ---																						
0 PLACE	±	±																						
DRAWN BY KLANG	DATE 2012/02/10	CHECKED BY TMCCLELLAND	DATE 2013/07/31	APPROVED BY MBANAKIS	DATE 2013/08/01	IPASS PLUS HD - 12G EXTERNAL EXTENDED SNOOT molex																		
ANGULAR ±1/2°		MATERIAL NO. SEE CHART		DOCUMENT NO. SD-76866-1002		SHEET NO. 3 OF 12																		
DRAFT WHERE APPLICABLE MUST REMAIN WITHIN DIMENSIONS																								



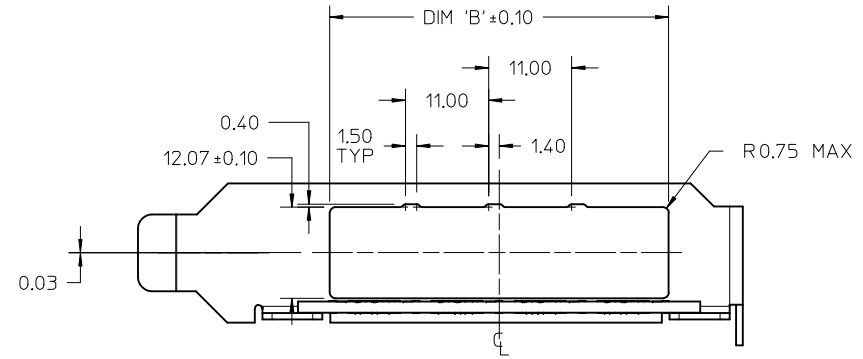
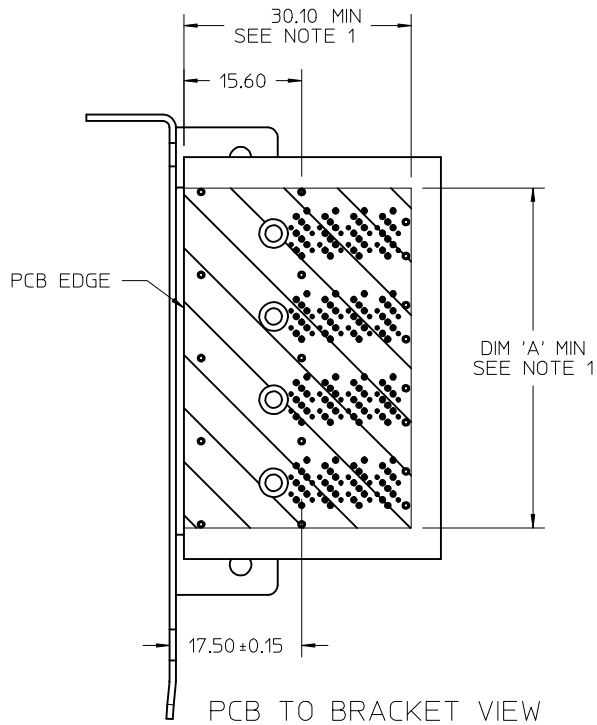
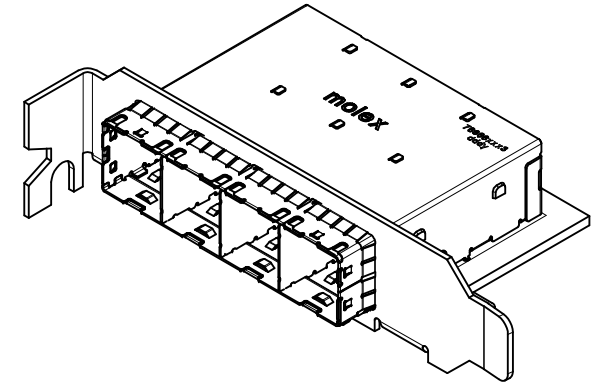
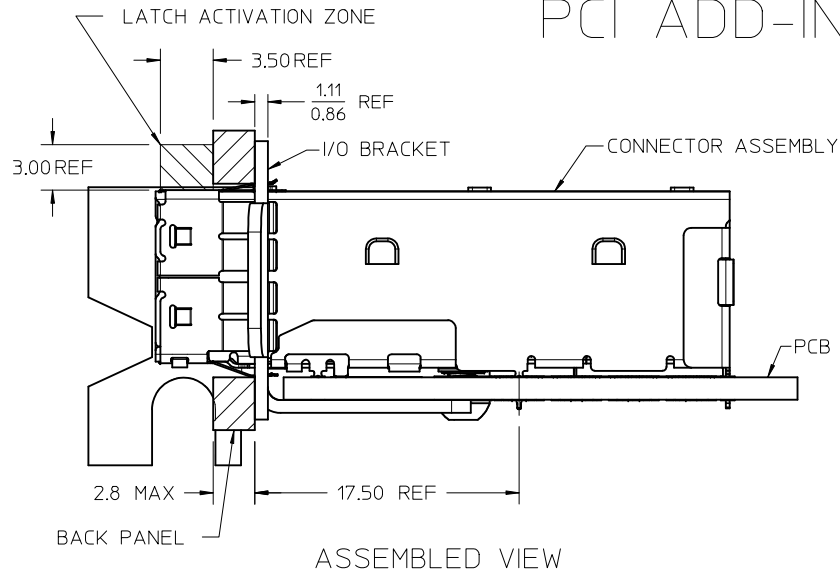
1X4 ASSEMBLY

MEXICO	DDDY
CHINA	MSHDDDY
MANUFACTURING LOCATION	DATE CODE
DESIGN UNITS METRIC	THIRD ANGLE PROJECTION

SEE SHEET 1 EC NO: UCP2016-0275 DRWN:TMCCLELL 2016/01/04 CHKD:TMCCLELLAND 2016/07/06 APPR:SMILLER 2016/07/06	QUALITY SYMBOLS	GENERAL TOLERANCES (UNLESS SPECIFIED)	DIMENSION STYLE MM ONLY	SCALE 2:1
	▽=0	m/m INCH	DRAWN BY DATE	TITLE
	▽=0	4 PLACES ± --- ± ---	KLANG 2012/02/10	IPASS PLUS HD - 12G EXTERNAL EXTENDED SNOOT molex DOCUMENT NO. SD-76866-1002 SHEET NO. 4 OF 12
	▽=0	3 PLACES ± --- ± ---	CHECKED BY DATE	
	▽=0	2 PLACES ± 0.13 ± ---	TMCCLELLAND 2013/07/31	
	1 PLACE ± 0.25 ± ---	APPROVED BY DATE		
	0 PLACE ± ±	MBANAKIS 2013/08/01		
	ANGULAR ±1/2°	MATERIAL NO. SEE CHART		
	DRAFT WHERE APPLICABLE MUST REMAIN WITHIN DIMENSIONS	SIZE		

THIS DRAWING CONTAINS INFORMATION THAT IS PROPRIETARY TO MOLEX. INCORPORATED AND SHOULD NOT BE USED WITHOUT WRITTEN PERMISSION

PCI ADD-IN CARD APPLICATION

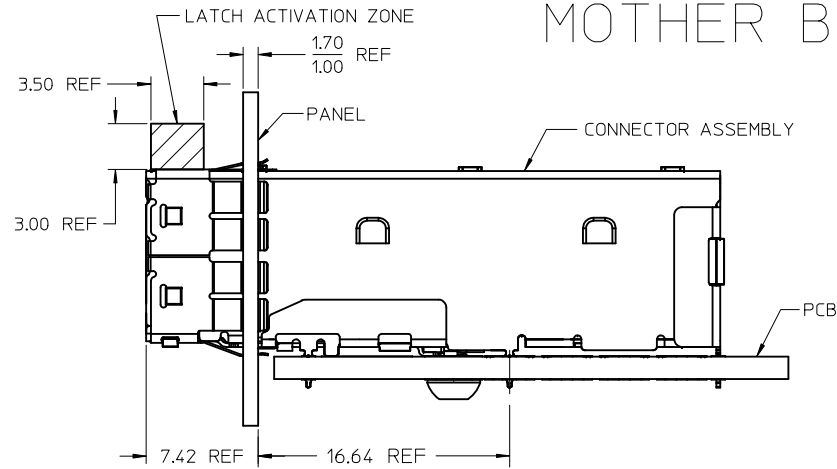


CONFIGURATION	DIM 'A'	DIM 'B'
1 X 1	12.00	11.90
1 X 2	23.00	22.90
1 X 4	45.00	44.90

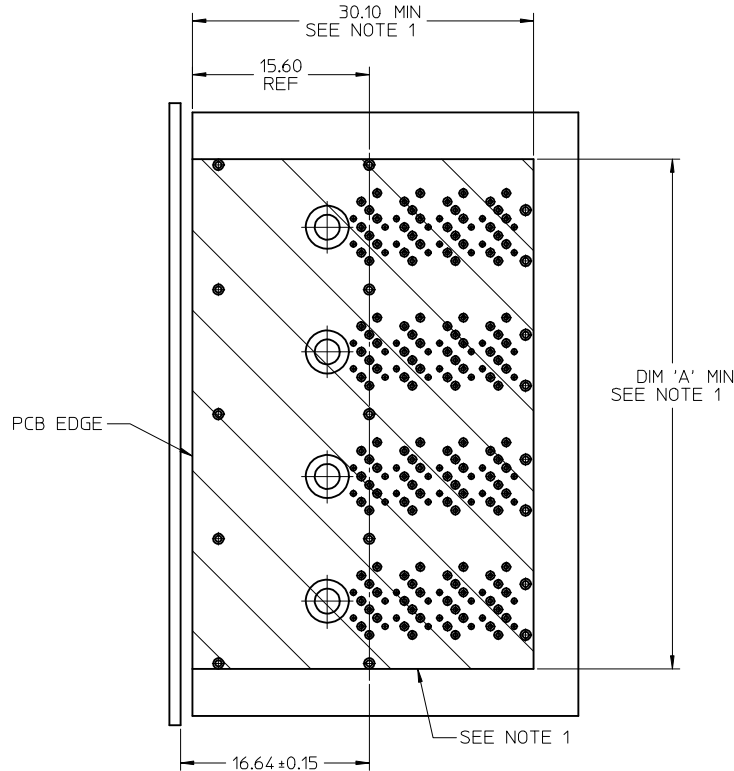
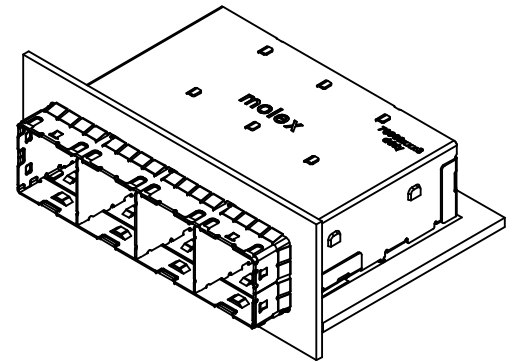
- NOTES:
- CONNECTOR KEEP OUT ZONE: PCB COMPONENTS ARE NOT ALLOWED IN THIS AREA.

SEE SHEET 1 EC NO: UCP2016-0275 DRWN:TMCCLELL 2016/01/04 CHKD:TMCCLELLAND 2016/07/06 APPR:SMILLER 2016/07/06	QUALITY SYMBOLS ∇=0 ∇=0 ∇=0	GENERAL TOLERANCES (UNLESS SPECIFIED) <table border="1"> <thead> <tr> <th></th> <th>mm</th> <th>INCH</th> </tr> </thead> <tbody> <tr> <td>4 PLACES</td> <td>± 0.10</td> <td>± 0.004</td> </tr> <tr> <td>3 PLACES</td> <td>± 0.15</td> <td>± 0.006</td> </tr> <tr> <td>2 PLACES</td> <td>± 0.25</td> <td>± 0.010</td> </tr> <tr> <td>1 PLACE</td> <td>± 0.50</td> <td>± 0.020</td> </tr> <tr> <td>0 PLACE</td> <td>± 0.75</td> <td>± 0.030</td> </tr> </tbody> </table>		mm	INCH	4 PLACES	± 0.10	± 0.004	3 PLACES	± 0.15	± 0.006	2 PLACES	± 0.25	± 0.010	1 PLACE	± 0.50	± 0.020	0 PLACE	± 0.75	± 0.030	DIMENSION STYLE MM ONLY DRAWN BY DATE KLANG 2012/02/10 CHECKED BY DATE TMCCLELLAND 2013/07/31 APPROVED BY DATE MBANAKIS 2013/08/01 MATERIAL NO.	SCALE 2:1 DESIGN UNITS METRIC THIRD ANGLE PROJECTION	TITLE IPASS PLUS HD - 12G EXTERNAL EXTENDED SNOOT molex DOCUMENT NO. SD-76866-1002 SHEET NO. 5 OF 12
		mm	INCH																				
	4 PLACES	± 0.10	± 0.004																				
	3 PLACES	± 0.15	± 0.006																				
2 PLACES	± 0.25	± 0.010																					
1 PLACE	± 0.50	± 0.020																					
0 PLACE	± 0.75	± 0.030																					
DRAFT WHERE APPLICABLE MUST REMAIN WITHIN DIMENSIONS		SIZE SEE CHART	THIS DRAWING CONTAINS INFORMATION THAT IS PROPRIETARY TO MOLEX INCORPORATED AND SHOULD NOT BE USED WITHOUT WRITTEN PERMISSION																				

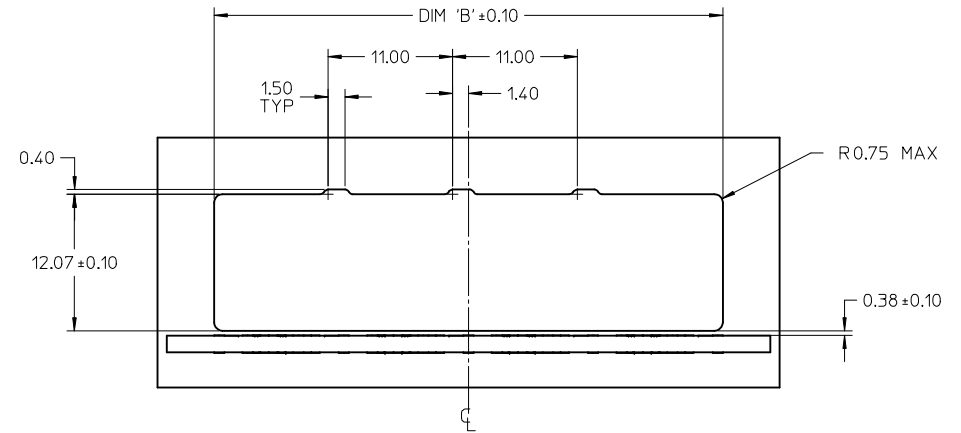
MOTHER BOARD APPLICATION



ASSEMBLED VIEW



PCB TO PANEL VIEW



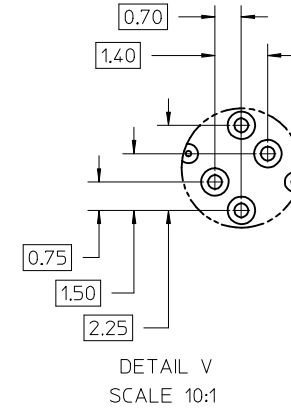
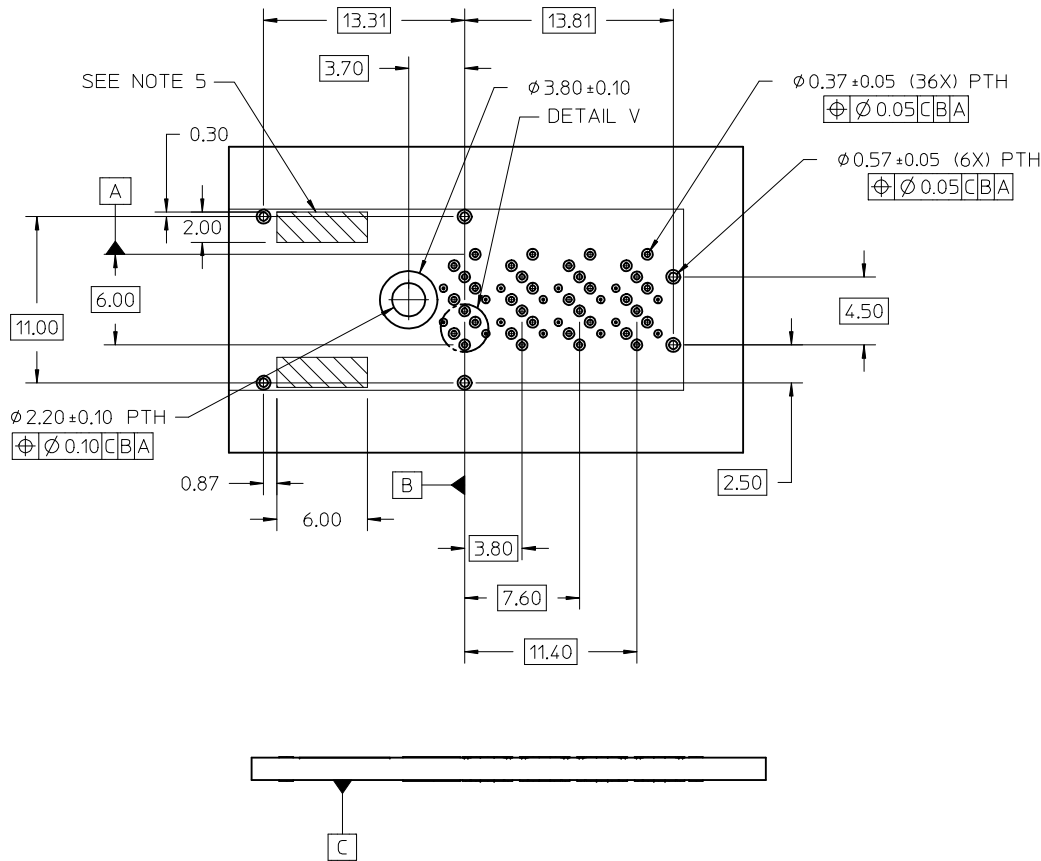
PANEL CUT OUT

CONFIGURATION	DIM 'A'	DIM 'B'
1 X 1	12.00	11.90
1 X 2	23.00	22.90
1 X 4	45.00	44.90

NOTES:
 1. CONNECTOR KEEP OUT ZONE: PCB COMPONENTS ARE NOT ALLOWED IN THIS AREA.

SEE SHEET 1 EC NO: UCP2016-0275 DRAWN: MCGLELL 2016/01/04 CHKD: MCGLELLAND 2016/07/06 APPR: SMILLER 2016/07/06	QUALITY SYMBOLS	GENERAL TOLERANCES (UNLESS SPECIFIED)	DIMENSION STYLE MM ONLY	SCALE 2:1	DESIGN UNITS METRIC	THIRD ANGLE PROJECTION
	▽=0	mm INCH	DRAWN BY DATE KLANG 2012/02/10	TITLE IPASS PLUS HD - 12G EXTERNAL EXTENDED SNOOT	molex DOCUMENT NO. SD-76866-1002 SHEET NO. 6 OF 12	
	▽=0	4 PLACES ± --- ± ---	CHECKED BY DATE TMCCLELLAND 2013/07/31			
	▽=0	3 PLACES ± --- ± ---	APPROVED BY DATE MBANAK I S 2013/08/01	MATERIAL NO. SEE CHART		
	2 PLACES ±0.13 ± ---	DRAFT WHERE APPLICABLE MUST REMAIN WITHIN DIMENSIONS	SIZE	THIS DRAWING CONTAINS INFORMATION THAT IS PROPRIETARY TO MOLEX INCORPORATED AND SHOULD NOT BE USED WITHOUT WRITTEN PERMISSION		
	1 PLACE ±0.25 ± ---					
	0 PLACE ± ±					

1X1 RECOMMENDED FOOTPRINT

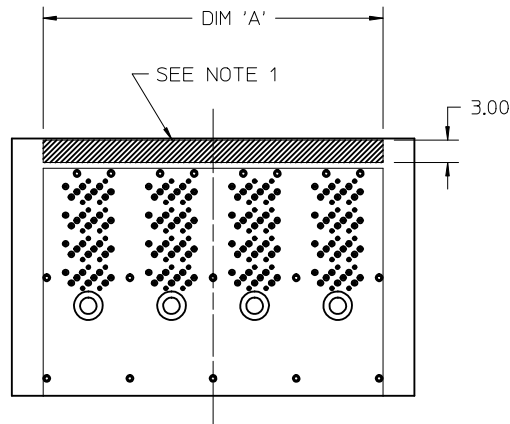


NOTES:

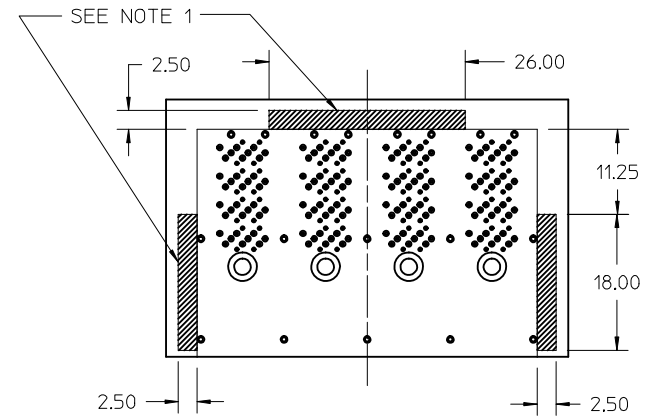
1. RECOMMENDED DRILL & ANNULAR RING SIZE FOR 0.37φ FINISHED PTH - REFER TO APPLICATION SPECIFICATION AS-76866-001
2. MINIMUM RECOMMENDED SPACING: 47.00MM
3. MINIMUM PCB THICKNESS: 1.57MM
4. RECOMMENDED DRILL & ANNULAR RING SIZE FOR 0.57φ FINISHED PTH - REFER TO APPLICATION SPECIFICATION AS-76866-001
5. CAGE KEEP OUT ZONE: TRACES AND VIAS ARE NOT ALLOWED ON SURFACE OF PCB IN THESE AREAS.

SEE SHEET 1 EC NO: UCP2016-0275 DRWN:TMCCLELL 2016/01/04 CHKD:TMCCLELLAND 2016/07/06 APPR:SMILLER 2016/07/06	QUALITY SYMBOLS ▽=0 ▽=0 ▽=0	GENERAL TOLERANCES (UNLESS SPECIFIED)		DIMENSION STYLE MM ONLY	SCALE 4:1	DESIGN UNITS METRIC	THIRD ANGLE PROJECTION
		4 PLACES ± --- ± ---	DRAWN BY KLANG	DATE 2012/02/10	IPASS PLUS HD - 12G EXTERNAL EXTENDED SNOOT molex DOCUMENT NO. SD-76866-1002 SHEET NO. 7 OF 12		
		3 PLACES ± --- ± ---	CHECKED BY TMCCLELLAND	DATE 2013/07/31			
		2 PLACES ± 0.13 ± ---	APPROVED BY MBANAKIS	DATE 2013/08/01			
1 PLACE ± 0.25 ± ---	MATERIAL NO. SEE CHART						
0 PLACE ± ±	ANGULAR ±1/2°		DRAFT WHERE APPLICABLE MUST REMAIN WITHIN DIMENSIONS				

RECOMMENDED TOOLING KEEP OUT AREAS



INSERTION TOOL KEEP OUT AREA



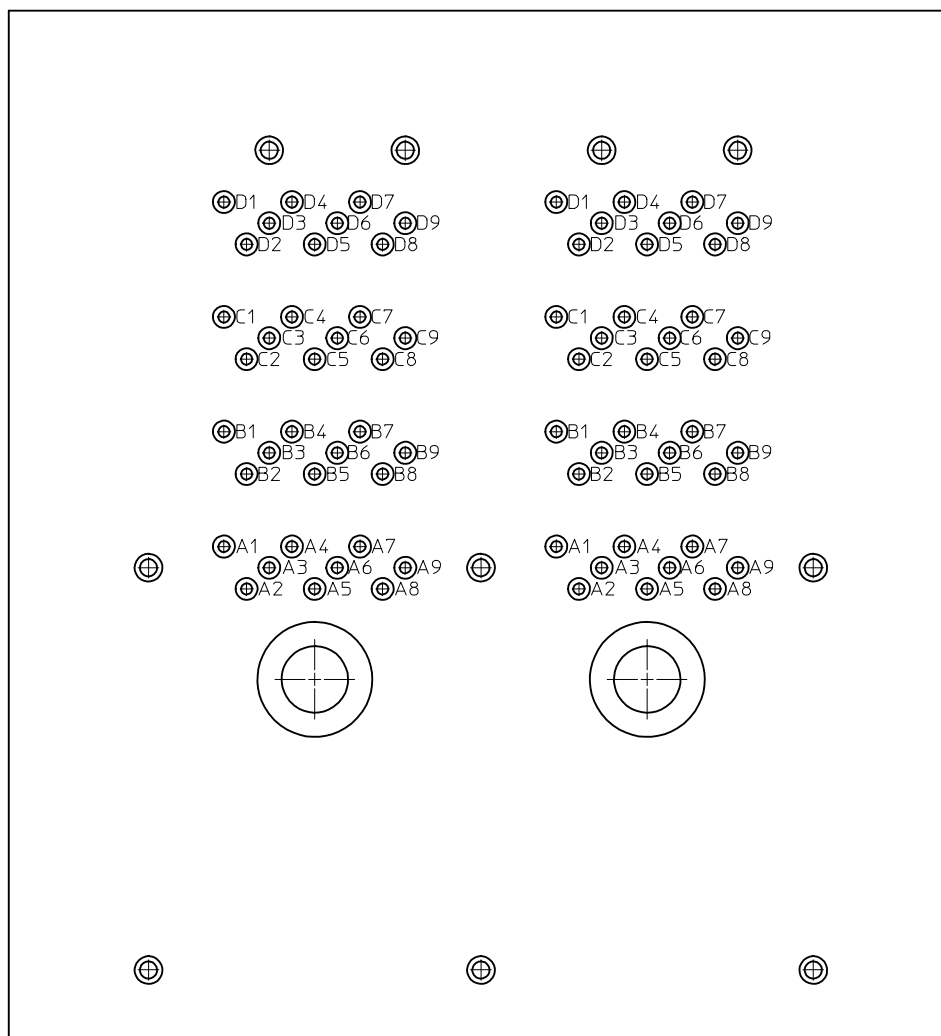
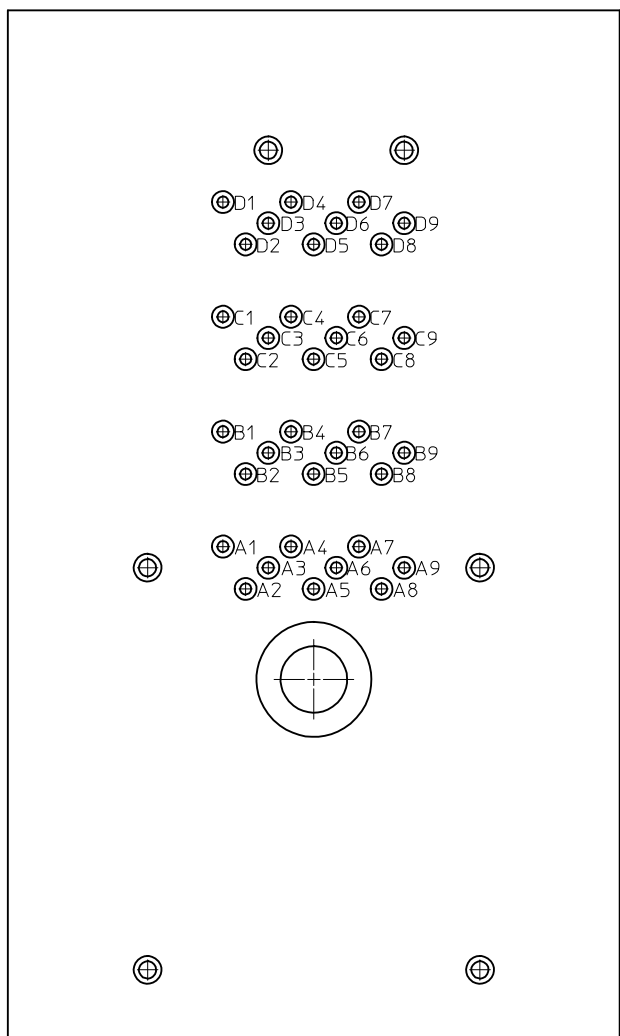
EXTRACTION TOOL KEEP OUT AREA

NOTES:
1. NO COMPONENTS ALLOWED IN THESE AREAS

CONFIGURATION	DIM 'A' (MIN)
1 X 1	12.00
1 X 2	23.00
1 X 4	45.00

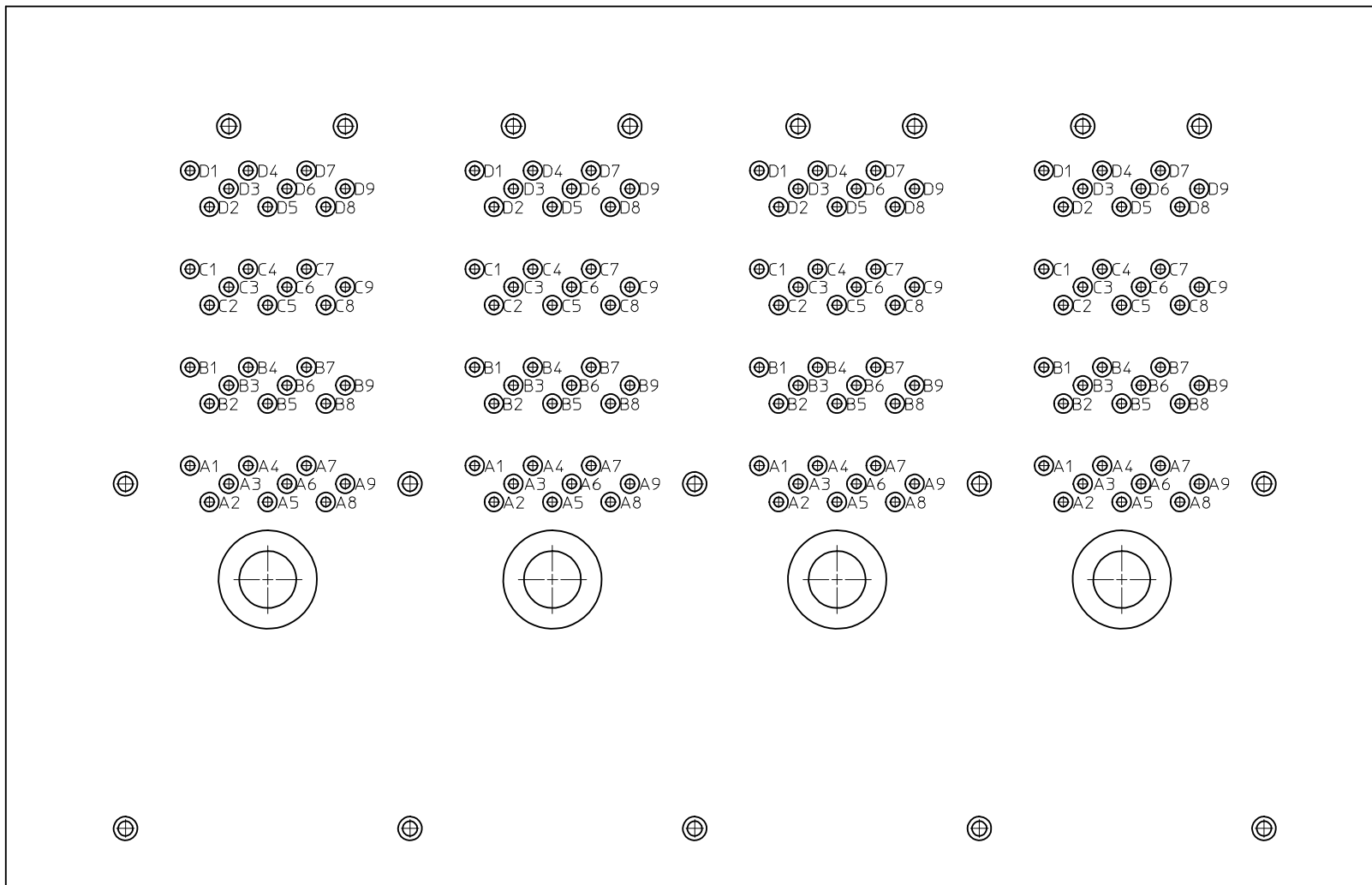
SEE SHEET 1 EC NO: UCP2016-0275 DRW: TMCCLELL 2016/01/04 CHKD: TMCCLELLAND 2016/07/06 APPR: SMILLER 2016/07/06	QUALITY SYMBOLS	GENERAL TOLERANCES (UNLESS SPECIFIED)	DIMENSION STYLE MM ONLY	SCALE 2:1	DESIGN UNITS METRIC	THIRD ANGLE PROJECTION
	▽=0	mm INCH	DRAWN BY DATE KLANG 2012/02/10	TITLE IPASS PLUS HD - 12G EXTERNAL EXTENDED SNOOT		DOCUMENT NO. SD-76866-1002 SHEET NO. 10 OF 12
	▽=0.13	4 PLACES ± --- ± ---	CHECKED BY DATE TMCCLELLAND 2013/07/31			
	▽=0.25	3 PLACES ± --- ± ---	APPROVED BY DATE MBANAKIS 2013/08/01			
▽=0	2 PLACES ± 0.13 ± ---	MATERIAL NO. SEE CHART				
	0 PLACE ± ±	ANGULAR ±1/2°	DRAFT WHERE APPLICABLE MUST REMAIN WITHIN DIMENSIONS		THIS DRAWING CONTAINS INFORMATION THAT IS PROPRIETARY TO MOLEX INCORPORATED AND SHOULD NOT BE USED WITHOUT WRITTEN PERMISSION	

1X1 & 1X2 FOOTPRINT CIRCUIT IDENTIFICATION



SEE SHEET 1 EC NO: UCP2016-0275 DRWIN:TMCCLELL 2016/01/04 CHKD:TMCCLELLAND 2016/07/06 APPR:SMILLER 2016/07/06	QUALITY SYMBOLS	GENERAL TOLERANCES (UNLESS SPECIFIED)	DIMENSION STYLE	SCALE	DESIGN UNITS	THIRD ANGLE PROJECTION
	▽=0	mm INCH	MM ONLY	8:1	METRIC	
	▽=0	4 PLACES ± --- ± ---	DRAWN BY DATE	TITLE		
	▽=0	3 PLACES ± --- ± ---	KLANG 2012/02/10	IPASS PLUS HD - 12G EXTERNAL EXTENDED SNOOT		
	2 PLACES ± 0.13 ± ---	CHECKED BY DATE				
	1 PLACE ± 0.25 ± ---	TMCCLELLAND 2013/07/31				
	0 PLACE ± ±	APPROVED BY DATE	DOCUMENT NO.			
	ANGULAR ±1/2°	MBANAKIS 2013/08/01	SD-76866-1002			
	DRAFT WHERE APPLICABLE MUST REMAIN WITHIN DIMENSIONS	MATERIAL NO.	SEE CHART			
		SIZE	THIS DRAWING CONTAINS INFORMATION THAT IS PROPRIETARY TO MOLEX. INCORPORATED AND SHOULD NOT BE USED WITHOUT WRITTEN PERMISSION			
			SHEET NO. 11 OF 12			

1X4 FOOTPRINT CIRCUIT IDENTIFICATION



SEE SHEET 1 EC NO: UCP2016-0275 DRW: TMCCLELL 2016/01/04 CHKD: TMCCLELLAND 2016/07/06 APPR: SMILLER 2016/07/06	QUALITY SYMBOLS	GENERAL TOLERANCES (UNLESS SPECIFIED)		DIMENSION STYLE	SCALE	DESIGN UNITS	THIRD ANGLE PROJECTION
	▽=0	mm	INCH	MM ONLY	8:1	METRIC	
	▽=0	4 PLACES ± ---	± ---	DRAWN BY	DATE	TITLE	
	▽=0	3 PLACES ± ---	± ---	KLANG	2012/02/10	IPASS PLUS HD - 12G EXTERNAL EXTENDED SNOOT	
	2 PLACES ± 0.13	± ---	CHECKED BY	DATE	molex DOCUMENT NO. SD-76866-1002 SHEET NO. 12 OF 12		
	1 PLACE ± 0.25	± ---	TMCCLELLAND	2013/07/31			
	0 PLACE ±	±	APPROVED BY	DATE			
			MBANAKIS	2013/08/01			
			MATERIAL NO.				
			ANGULAR ±1/2°				
			DRAFT WHERE APPLICABLE MUST REMAIN WITHIN DIMENSIONS				
			SIZE	SEE CHART			
				THIS DRAWING CONTAINS INFORMATION THAT IS PROPRIETARY TO MOLEX INCORPORATED AND SHOULD NOT BE USED WITHOUT WRITTEN PERMISSION			